

百年基础 倾力打造

Laying the centuries on the strength of our struggle



SEMW

金菱机械

SAFETY GUIDE

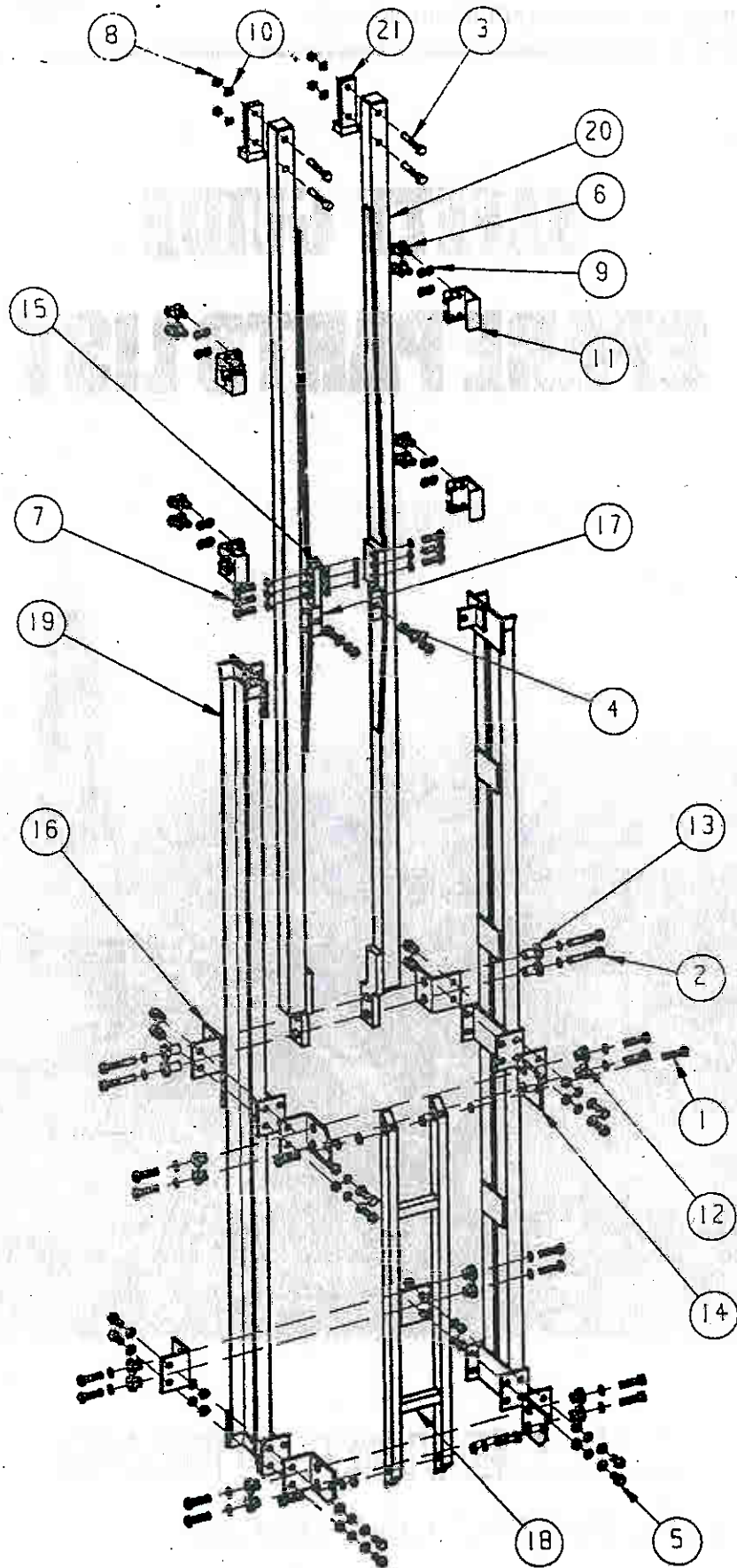
SPARE PARTS LIST

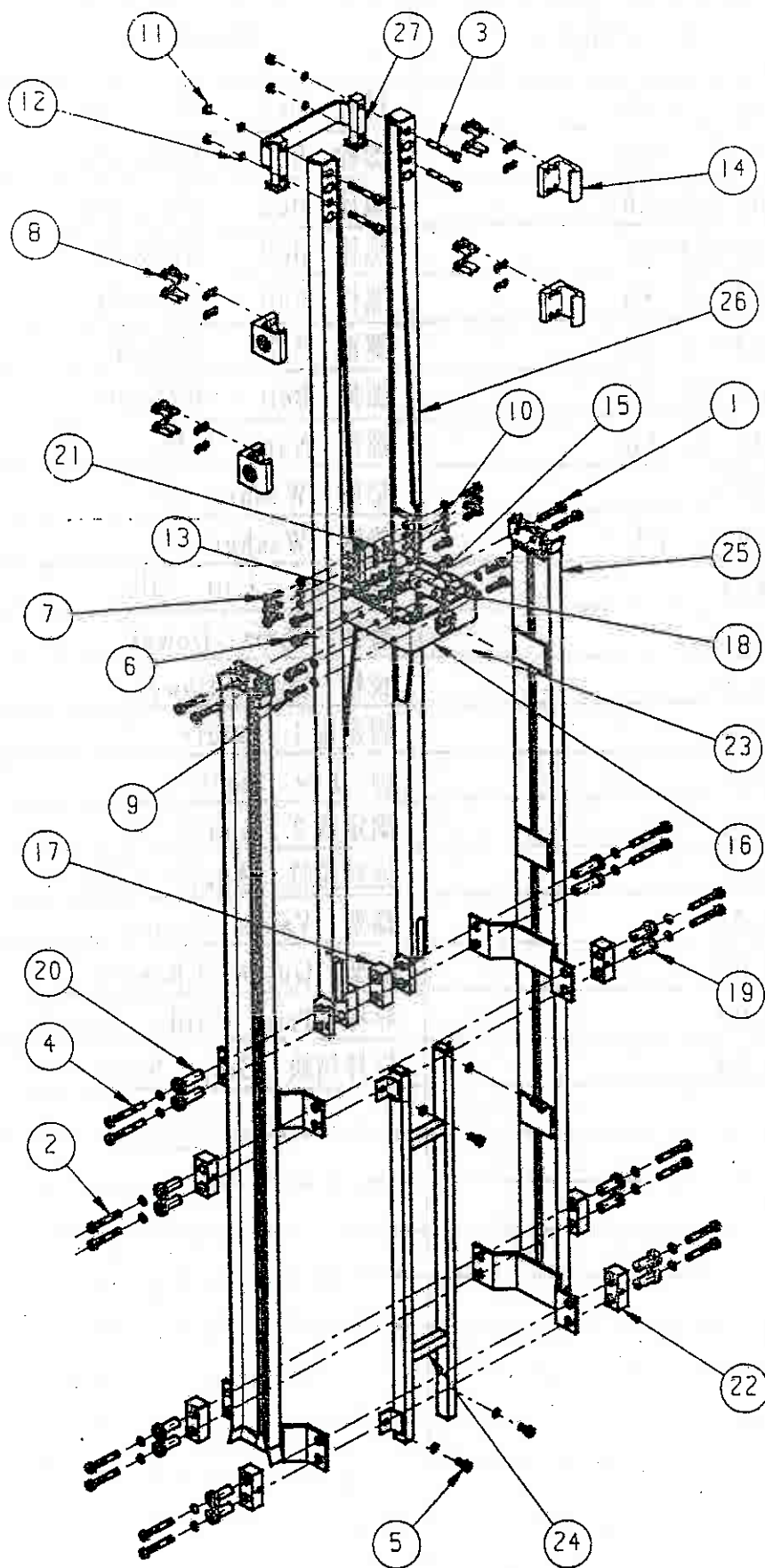


上海工程机械厂有限公司

SHANGHAI ENGINEERING MACHINERY CO., LTD.

THE PEOPLE'S REPUBLIC OF CHINA





No.	Part-Number	Description	Qty
1	GB5782-86	螺栓 Bolt M24X130	4
2	GB5782-86	螺栓 Bolt M24X160	12
3	GB5782-86	螺栓 Bolt M24X170	4
4	GB5782-86	螺栓 Bolt M24X200	4
5	GB5782-86	螺栓 Bolt M24X50	4
6	GB5782-86	螺栓 Bolt M24X65	4
7	GB5782-86	螺栓 Bolt M24X70	6
8	GB5782-86	螺栓 Bolt M24X80	16
9	GB5782-86	螺栓 Bolt M24X90	4
10	GB6184-86	螺母 Nut M24	4
11	GB889-86	螺母 Nut M24	4
12	GB93-87	垫圈 Washer 24	50
13	GB97.1-85	垫圈 Washer 24	4
14	U19-1	导向块 Trip Gib	4
15	U19-10	垫块 Block	2
16	U19-2	导向加强板 Guide Stiffener	1
17	U19-3	护架填块 Block	4
18	U19-4	挡块 Block	2
19	U19-5	短销 Short Dowel	12
20	U19-6	长销 Long Dowel	4
21	U19-7	键 Key Stock	2
22	U19-8	调整块 Adjusting Block	4
23	U19-9	标志 Symbol	1
24	U19.01B	梯架 Valve Guard	1
25	U19.02A	护架 Guide Channel	2
26	U19.03	导杆焊接 Trip Guide Tube	2
27	U19.04A	固定架 Trip Sled Stop	1

