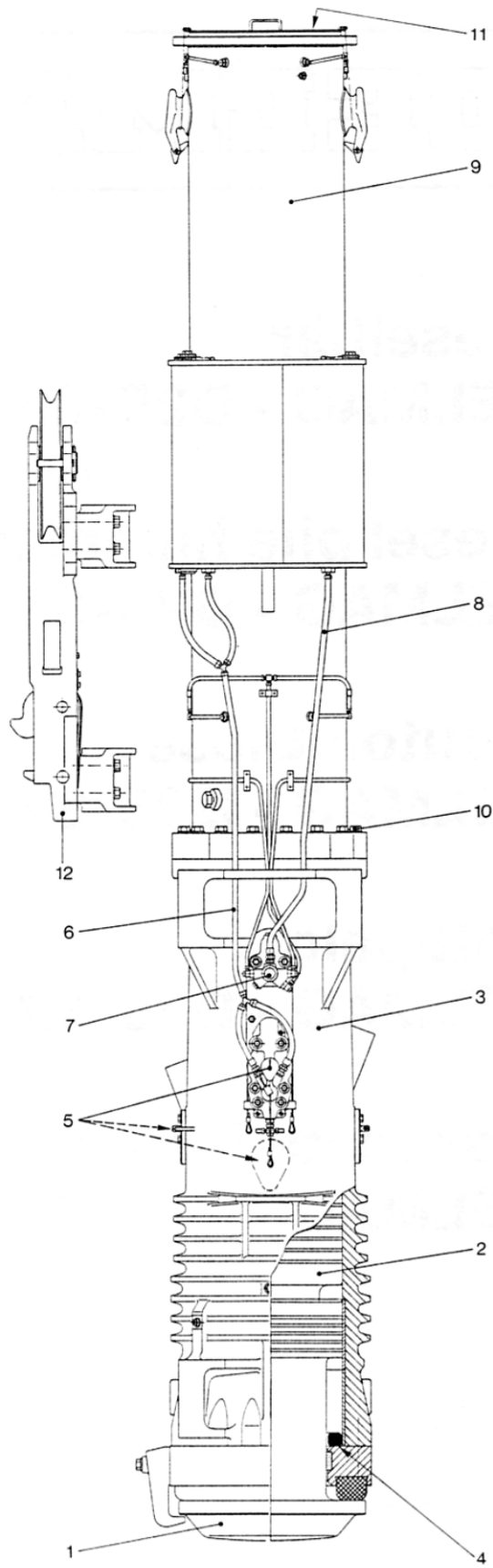


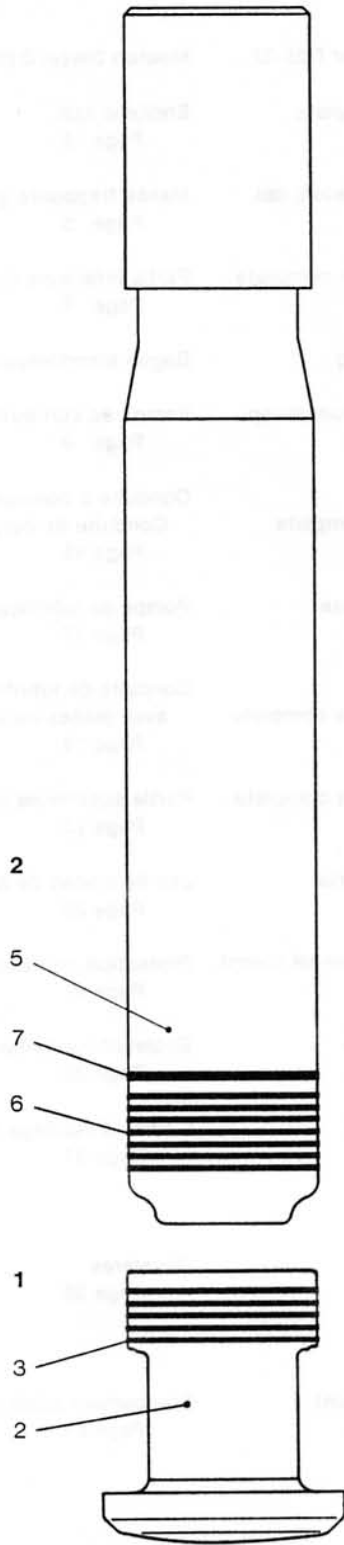
D25-42
MODEL D30-42 DIESEL PILE HAMMER
D36-26

SPARE PARTS BOOK

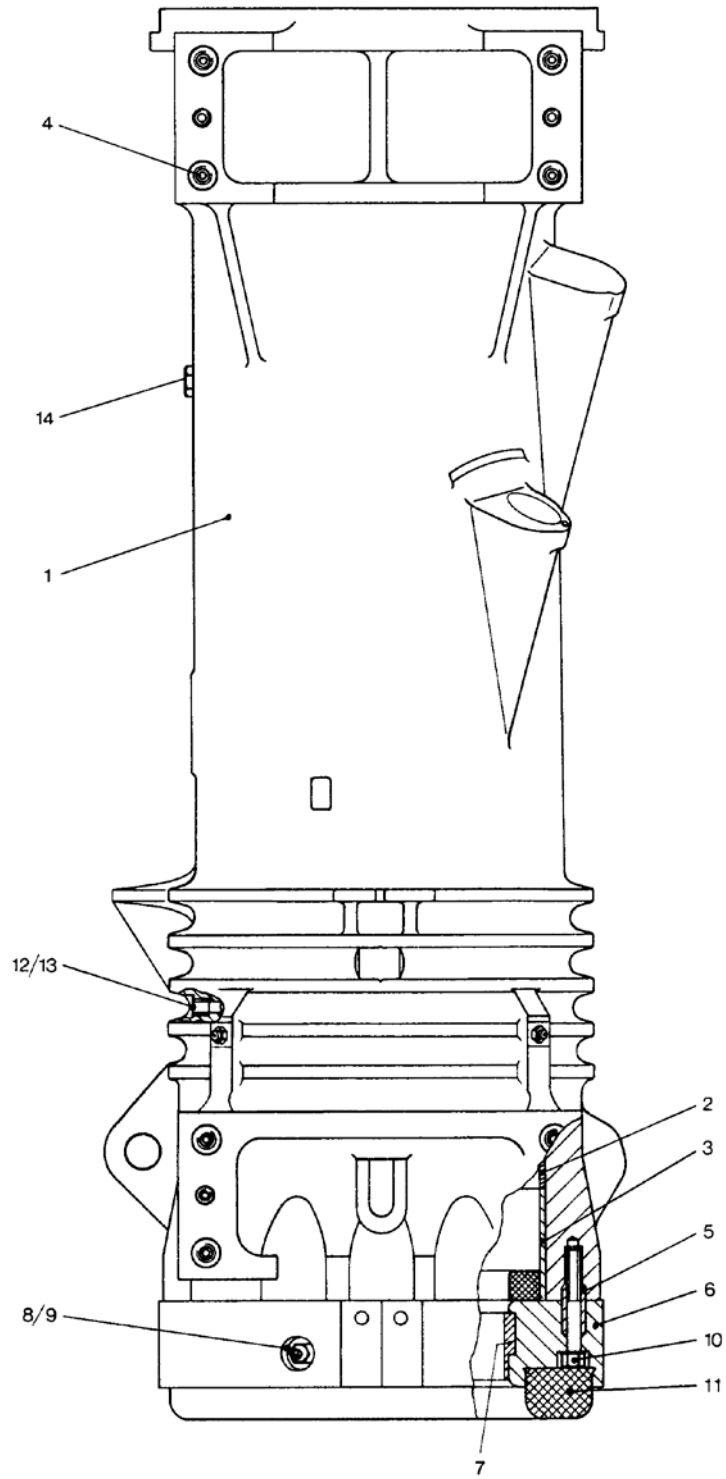
Corporate Office
7032 S. 196th Street
Kent, WA, USA 98032
Tel: 1-800-248-8498
Tel: 1-253-872-0141
Fax: 1-253-872-8710



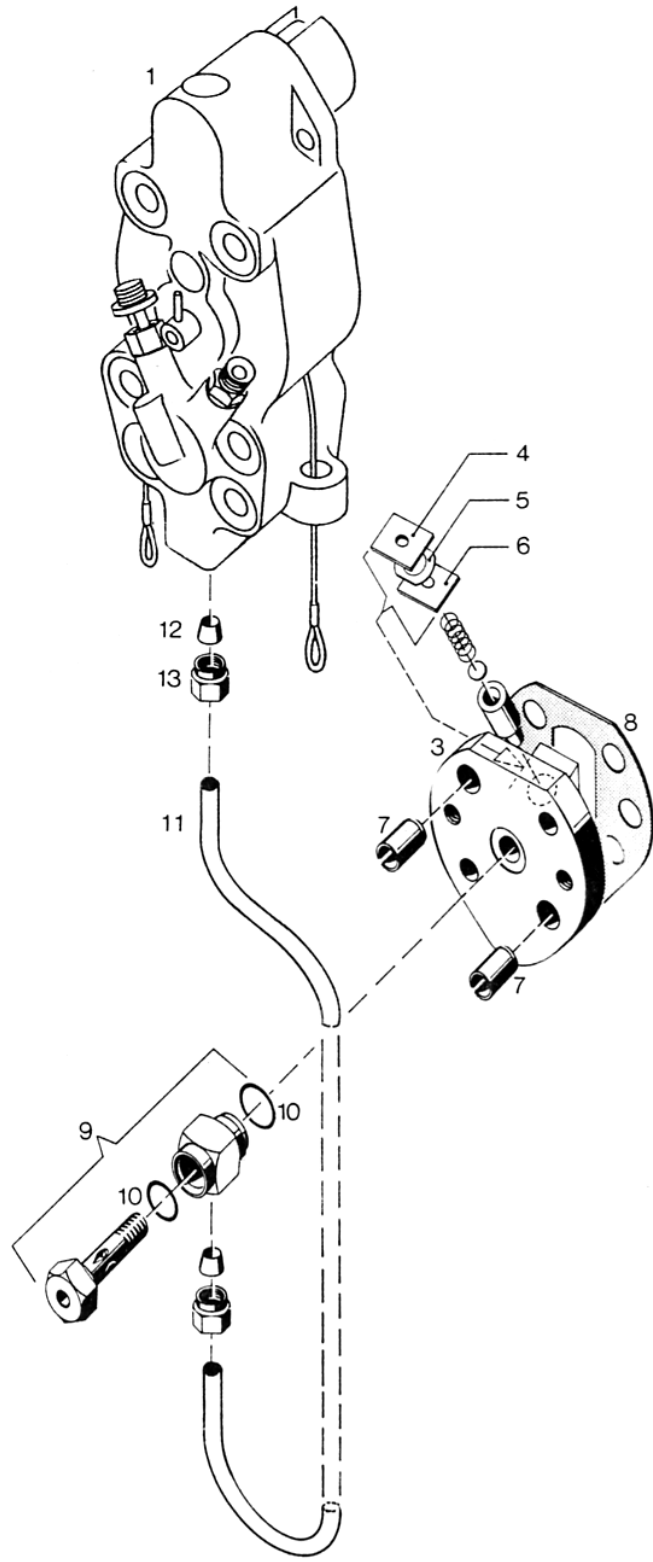
No.	Parts-No.	Description	Qty	Order-No.
-	132.00	Diesel Pile Hammer D25-42	1	66507
-	133.00	Diesel Pile Hammer D30-42	1	66508
-	133.00	Diesel Pile Hammer D36-26	1	
1	132.08.00	Impact Block Complete (Page 5)	1	103425
4	132.00-1	Inner Damping Ring	1	60151
5	132.02.00	Variable-Delivery Fuel Pump Complete (Page9)	1	108785
5'	133.02.00	Variable-Delivery Fuel Pump Complete (Page9)	1	108771
6	132.11.00	Fuel Line/Breather Line Complete (Page 15)	1	108776
7	135.07.00	Lube Pump Complete (Page 17)	2	108308
8	132.12.00	Lube Line With Connecting Complete (Page 19)	1	108777
9	132.03.00	Cylinder Upper Part Complete (Page 21)	1	108740
10	132.06.00	Set Connecting Parts Complete (Page 23)	1	43281
11	132.10.00	Transport Protecting Kit Complete (Page 25)	1	108773
12	132.05.00	Trip Gear Complete (Page 27)	1	104685
*	132.14.00	Guide Clamp	4	
*	132.15.00	Guide Gib	4	
*	132.16.00	Tool Box Complete (Page 29)	1	108779



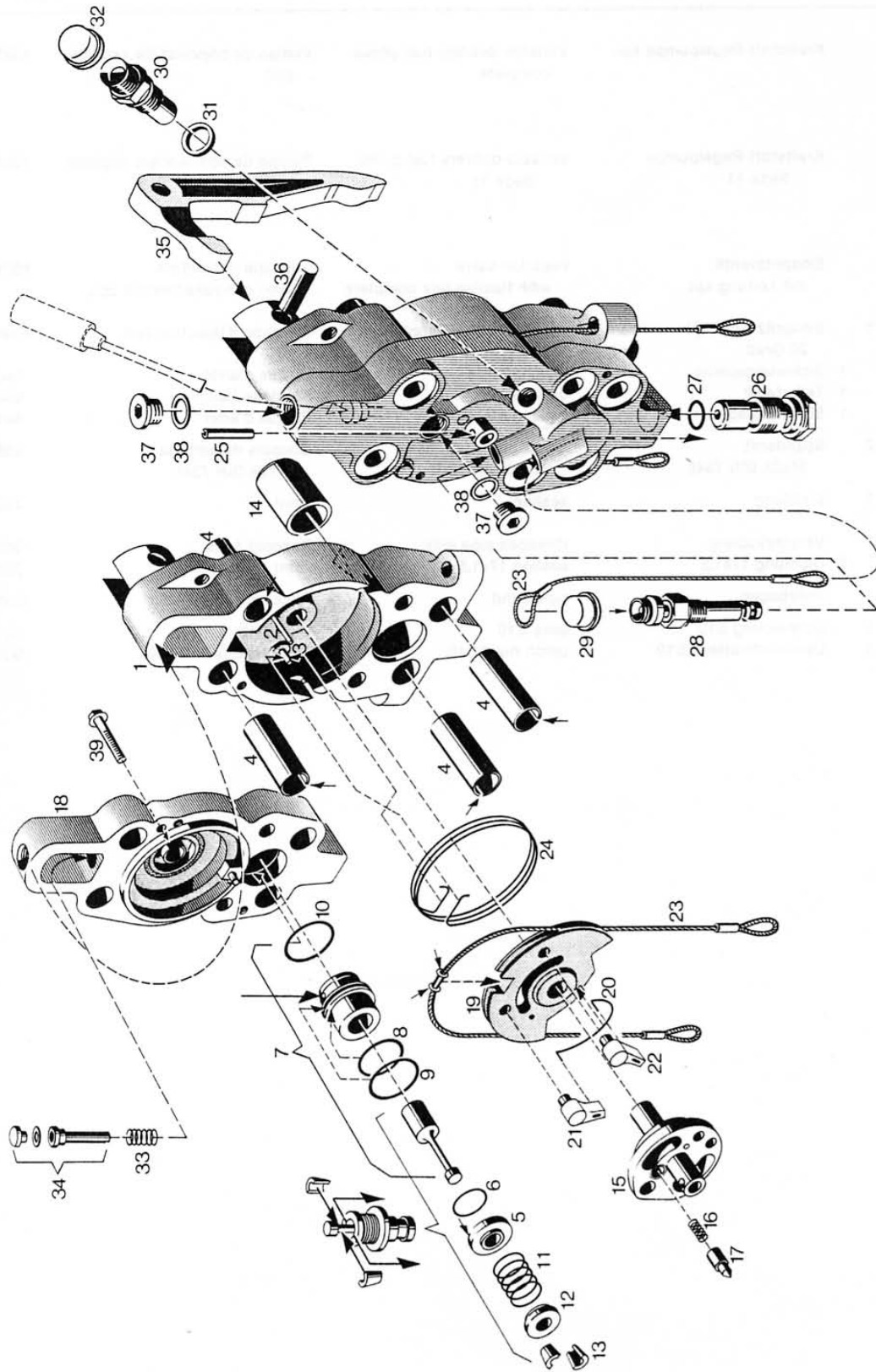
No.	Parts-No.	Description	Qty	Order-No.
1	132.08.00	Impact Block Complete	1	103425
2	132.08.00-1A	Impact Block	1	103422
3	132.08.00-2A	Piston Ring	5	46581
5	132.09.00-1	Striking Weight D25-42 (Piston)	1	108766
5'	133.09.00-1	Striking Weight D30-42 (Piston)	1	108751
5''	133.09.00-1A	Striking Weight D36-26 (Piston)	1	120041
6	132.08.00-2A	Piston Ring D25-42 / D30-42 / D36-26 (10mm thick)	6	46581
7	132.09.00-2A	Catch Piston Ring	1	46582



No.	Parts-No.	Description	Qty.	Order-No.
-	132.01.00	Cylinder Lower Part Complete For D25-42	1	108767
-	133.01.00	Cylinder Lower Part Complete For D30-42	1	108742
-	133.01.01	Cylinder Lower Part Complete For D36-26	1	108784
1	132.01.01	Cylinder Lower Part For D25-42	1	108786
1'	133.01.01	Cylinder Lower Part For D25-42	1	108784
2	132.01.01-1	Cylinder Sleeve(On Request)	1	X
3	132.01.01-2	Cylinder Sleeve(On Request)	1	Y
4	135.01.01-3	Threaded Insert M24	16	95582
5	135.06.00-4	Dowel Pin 40× 75	8	95195
6	132.01.02.01	Cylinder End Ring 2 Piece Complete	1	22564
7	132.01.02-1	Ring 2 Piece	1	46489
8	135.01.02-2	Reducer	2	22592
9	135.01.02.02A	Grease Nipple M10× 1	2	90791
10	135.06.00-2	Reduced Screw M24X165 (standard) (D25-42/D30-42)	12	20174
10	135.06.00-25	Reduced Screw M24X195 (extended bolts) (D36-26)	12	20174
11	132.01.00-1	Rubber Ring 2 Piece	1	22565
12	JB1000-1987	Plug Screw M1 8× 1.5 DIN910	1	91460
13	135.01.00-2	Sealing Ring A18× 22 DIN7603-Cu	1	90002
14	135.01.00-4	Plug Screw R3/8" DIN908		93235

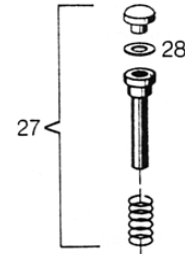
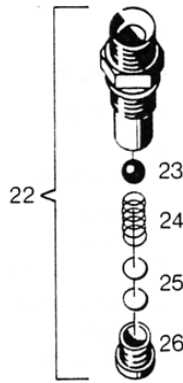
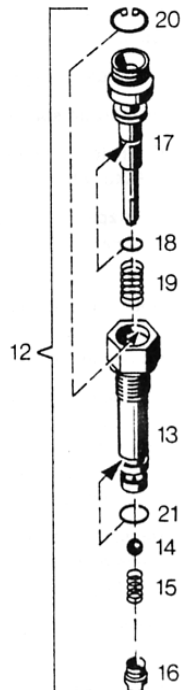
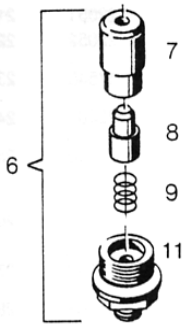
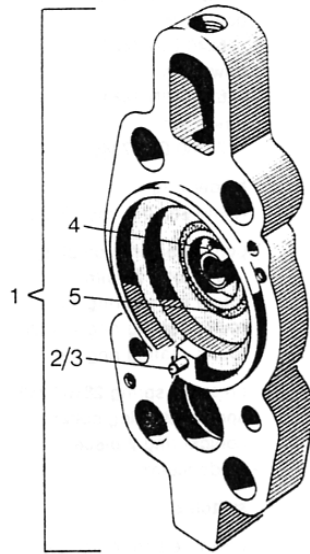


No.	Parts-No.	Description	Qty.	Remark
	132.02.00	Variable-Delivery Fuel Pump Complete	1	108585
1		Variable-Delivery Fuel Pump	1	108780
2		Injection Valve With Flexible Line Complete	1	102133
3	136.02.02	Injection Valve Complete	1	104675
	136.02.02-1	Injection Valve Body	1	104676
4	135.02.07-3	Locking Plate	1	64460
5	135.02.07-2A	Disk Spring	1	64461
6	135.02.07-3	Locking Plate	1	64460
7	135.02.00-27	Dowel Pin 21 × 28 DIN7346	2	95633
8	135.02.00-28	Sealing	1	45647
9	135.02.00-26	Threaded Pipe Joint	1	97038
	135.02.00-33	Hollow Screw	1	
10	135.02.00-32	Round Sealing Ring 17 × 1.5	2	97258
11	132.02.08A	High Pressure Hose Line	1	104974

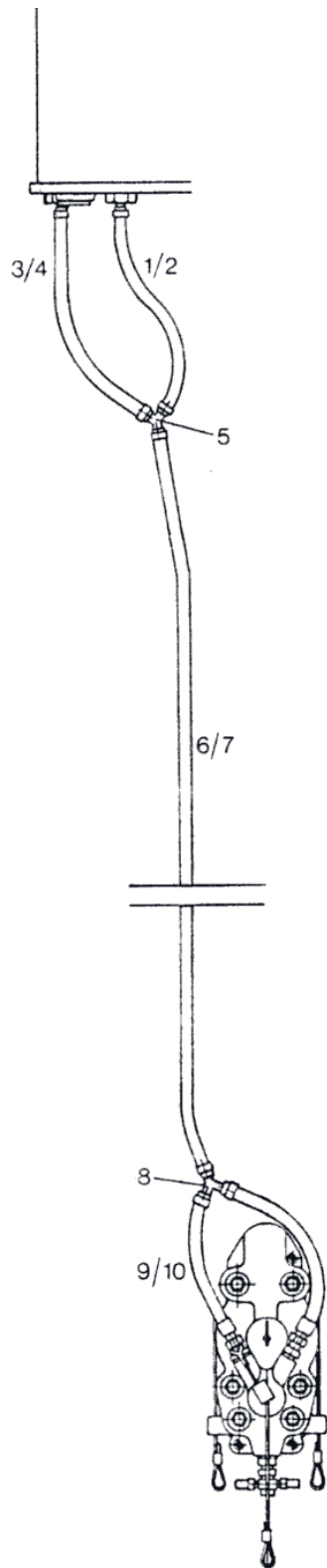


No.	Parts-No.	Description	Qty.	Remark
-	132.02.00	variable-delivery fuel pump	1	108780
1	135.02.05	pump body complete	1	43289
2	GB/T879-1986	dowel pin 5× 40 DIN1481	1	90155
3	GB/T879-1986	dowel pin 6× 28 DIN1481	1	90137
4	135.02.00-25	dowel pin 28× 80 DIN7346	4	94315
5	131.02.00-24	holder ring	1	43994
6	135.02.00-19	round sealing ring 35× 2.5	1	92996
7	132.02.03	pump element complete(for D25-42)	1	65528
7'	133.02.03	pump element complete(for D30-42)	1	66522
7''	134.02.03	pump element complete(for D36-26) (24mm)	1	064804
8	135.02.03-3	round sealing ring 40× 2.5	1	91339
9	135.02.03-2	round sealing ring 47× 2.5	1	96080
10	135.02.03-1	round sealing ring 42× 3	1	95933
11	135.02.00-20	pressure spring	1	22060
12	135.02.00-21	spring retaining collar	1	22058
13	135.02.00-22	conical ring 2 piece	1	22059
14	135.02.00-23	guide sleeve	1	43287
15	135.02.01	switch shaft	1	43308
16	135.02.00-11	pressure spring 5.5× 20× 1.2	1	22044
17	135.02.00-10	screen pin	1	22049
18	135.02.02	pump cover complete	1	43291
19	135.02.04	rope disc complete	1	22040
20	135.02.00-15	spring	1	22045
21	135.02.00-14	cam	1	22051
22	135.02.00-13	cam	1	22052
23	135.02.11	regulating rope	2	17546
24	135.02.00-18	swivel spring	1	22062
25	GB/T879-1986	dowel pin 6× 40 DIN1481	1	90150
26	132.02.06	check-non-return valve complete (page 13)	1	43296
27	135.02.00-12	round sealing ring 22× 3	1	91296
28	132.02.10	stop valve complete (page 13)	1	41868
29	135.02.00-31	protecting cap	1	93236
30	135.02.09	suction valve complete (page 13)	1	41863
31	135.02.00-29	sealing ring A20× 24 DIN7603-Cu	1	92031
32	135.02.00-31	protecting cap	1	93236
33	135.02.00-8	pressure spring 14.5× 34× 1	1	22046
34		pressure piece complete (page 13)	1	62125
35	135.02.00-17	pump lever	1	41869
36	135.02.00-16	pin	1	22043

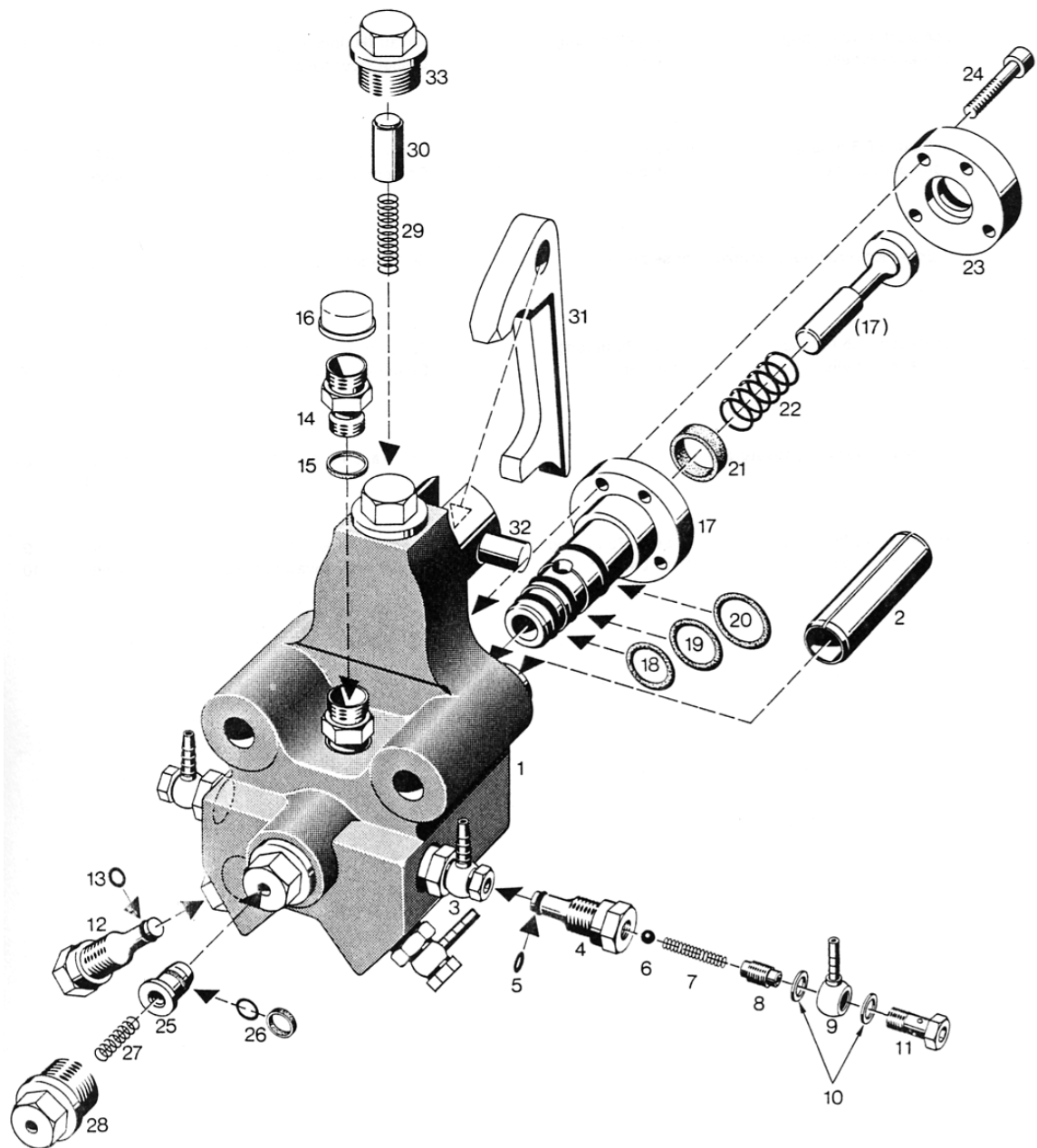
No.	Parts-No.	Description	Qty.	Remark
37	JB1001-1977	plug screw M18 DIN908	2	93055
38	135.02.00-1	sealing ring A18×22 DIN7603-Cu	2	90002
39	GB/T5782-1986	locking screw M8×50	1	93456



No.	Parts-No.	Description	Qty.	Remark
1	135.02.02	Pump Cover Complete	1	43291
2	GB/T879-1986	Dowel Pin 10×32 DIN1481	1	90231
3	135.02.02.01	Stop	1	22796
4	135.02.02-3	Stop Pin	4	43307
5	135.02.02-2	Ring	1	22050
6	135.02.06	Non-Return Valve Complete	1	43296
7	135.02.06-1	Housing		43297
8	135.02.06-2	Valve Piston	1	43299
9	135.02.06-3	Pressure Spring	1	22034
11	135.02.06-4	Screw	1	43298
12	132.02.10	Stop Valve Complete	1	41868
13	132.02.10-7	Valve Screw	1	43130
14	GB/T308-1986	Ball Φ 8.731mm LLL DIN5401	1	98511
15	135.02.10-5	Pressure Spring	1	98929
16	132.02.10-4	Threaded Plug	1	22021
17	132.02.10-1	Valve	1	43138
18	135.02.10-6	Round Sealing Ring 8×3		91894
19	132.02.10-2	Pressure Spring	1	43279
20	GB/T893-1986	Circlip 22×1 DIN472	1	95768
21	135.02.10-3	Round Sealing Ring 12×3	1	94316
22	135.02.09	Suction Valve Complete	2	41863
23	GB/T308-1986	Ball Φ 8.731 Mm LLL DIN5401	1	98511
24	135.02.09-2	Pressure Spring 7.3×8×0.7	1	22022
25	135.02.09-3	Washer	2	22023
26	135.02.09-4	Threaded Plug	1	41862
27		Pressure Piece Complete	1	62125
	135.02.00-3	Push Cap	1	
28	135.02.00-4	Adjusting Washer 8.2×19.8×0.3	1	97332
28	135.02.00-5	Adjusting Washer 8.2×19.8×0.4	1	97348
28	135.02.00-6	Adjusting Washer 8.2×19.8×0.5	1	97333
28	135.02.00-7	Adjusting Washer 8.2×19.8×0.6	1	97334
	135.02.00-9	Push Rod	1	
	135.02.00-8	Pressure Spring 14.5×34×1	1	22046

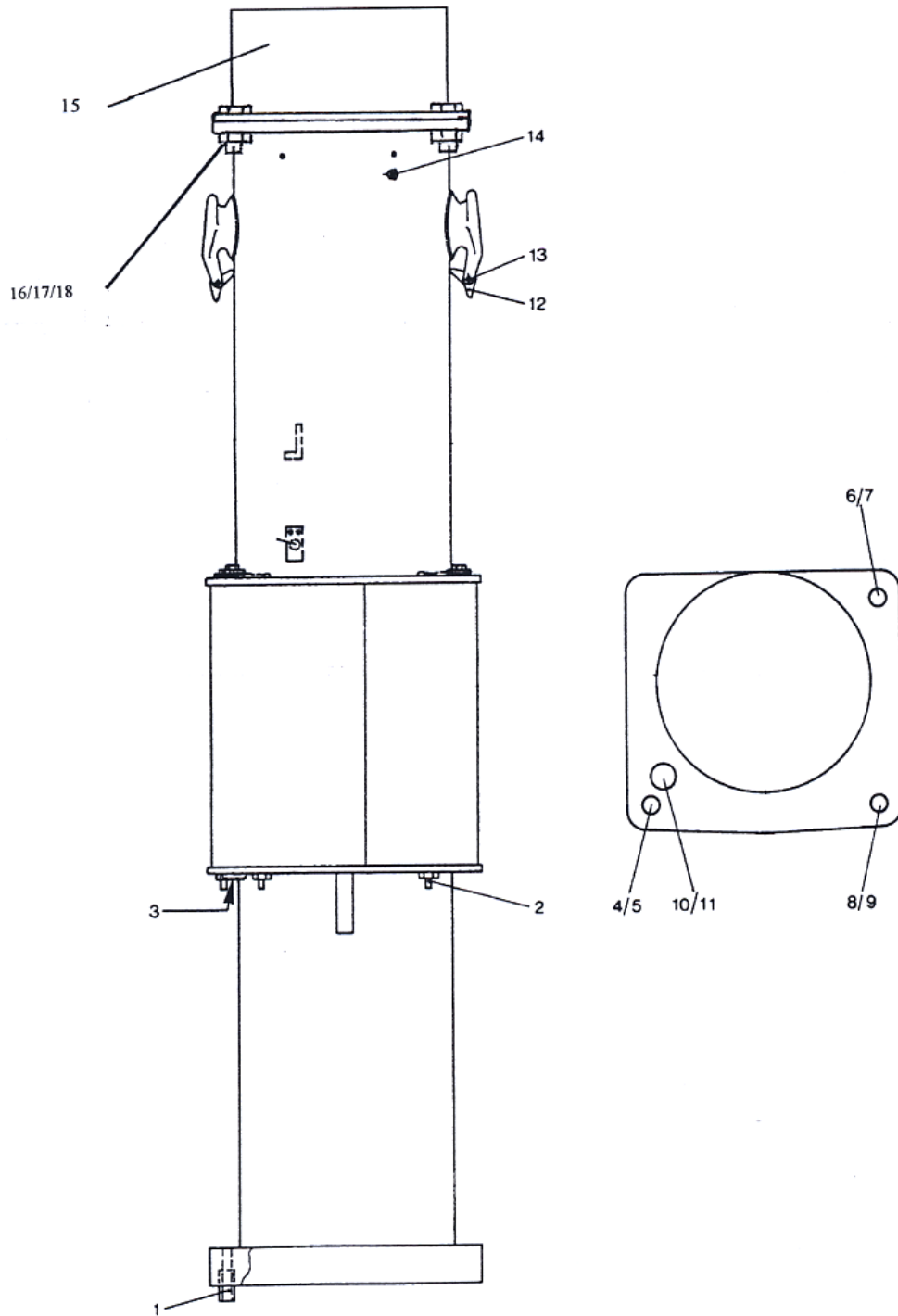


No.	Parts-No.	Description	Qty.	Remark
-	132.11.00	Fuel Line/Breather Line Complete	1	108776
1	135.11.02	Hose (0.48m Long)	1	99066
2	No.0	Hose Clip	2	94299
3	135.11.02	Hose (0.8m Long)	1	17332
4	No.0	Hose Clip	2	94299
5	135.11.01A	Y –Hose Piece	1	99019
6	135.11.00-3	Hose (1.35m Long)	1	190562
7	No.0	Hose Clip	2	94299
8	135.11.01 A	Y– Hose Piece	1	99019
9	135.11.00-2	Hose (0.275m Long)	2	96504
10	No.0	Hose Clip	2	94299

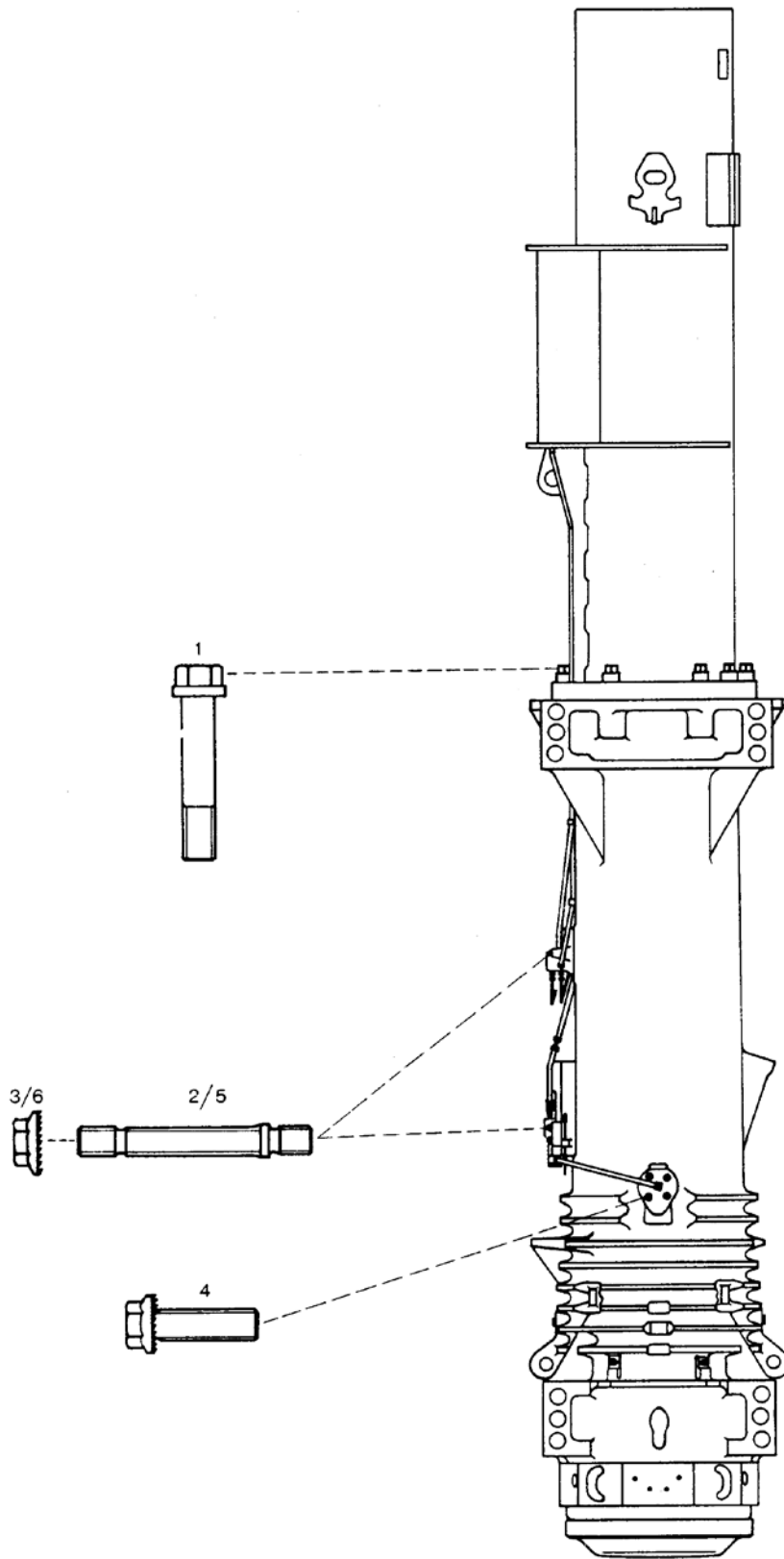


No.	Parts-No.	Description	Qty.	Remark
-	135.07.00	Lube Pump Complete	1	108308
1	135.07.00-7	Pump Body	1	108315
2	135.02.00-25	Dowel Pin 28×80 DIN7346	2	94315
3	135.07.03	Pressure Valve Complete	3	108317
4	135.07.03-4	Adaptor (Tube To Thread)	1	108319
5	135.07.03-7	Round Sealing Ring 8×2	1	97855
6	GB/T308-1989	Ball Φ6.000mm VI DIN5401	1	90307
7	135.07.03-6	Pressure Spring 5×36×0.8	1	190005
8	135.07.03-5	Threaded Plug	1	104679
9	135.07.03-1	Ring Type Nipple	1	97949
10	135.07.03-3	Sealing Ring A12×15.5 DIN7603-Cu	2	91417
11	135.07.03-2	Hollow Screw A6 DIN7623-6.8	1	97948
12	135.07.04-1	Plug Screw Complete	1	108316
13	135.07.03-7	Round Sealing Ring 8×2	1	97855
14	135.07.00-3	Adaptor (Tube To Thread)	1	67290
15	135.02.00-29	Sealing Ring A20×24 DIN7603-Cu	1	92031
16	135.02.00-31	Protecting Cap	1	93236
17	135.07.01	Cylinder Complete	1	67279
18	135.02.00-12	Round Sealing Ring 22×2	1	91296
19	135.07.01-4	Round Sealing Ring 26×3	1	91357
20	135.07.01-3	Round Sealing Ring 30×3	1	92952
21	135.07.00-9	Ring	1	67283
22	135.07.00-10	Pressure Spring 22×52×2.8	1	97325
23	135.07.00-11	Washer	1	67282
24	GB/T70-1985	Screw M8×35 DIN912-8.8	4	90937
25	135.07.02	Piston Complete	1	67284
26	135.07.02-3	Slide Ring	1	97326
27	135.07.00-4	Pressure Spring 7.3×29.4×1.2	1	190479
28	135.07.00-5	Plug Screw	1	108309
29	135.07.00-8	Pressure Spring 10×43×2	1	22089
30	135.07.00-2	Sleeve	1	22090
31	135.07.00-6	Pump Lever	1	22081
32	135.07.00-1	Pin	1	22082
33	135.07.00-12	Plug Screw R1” DIN908	1	93080

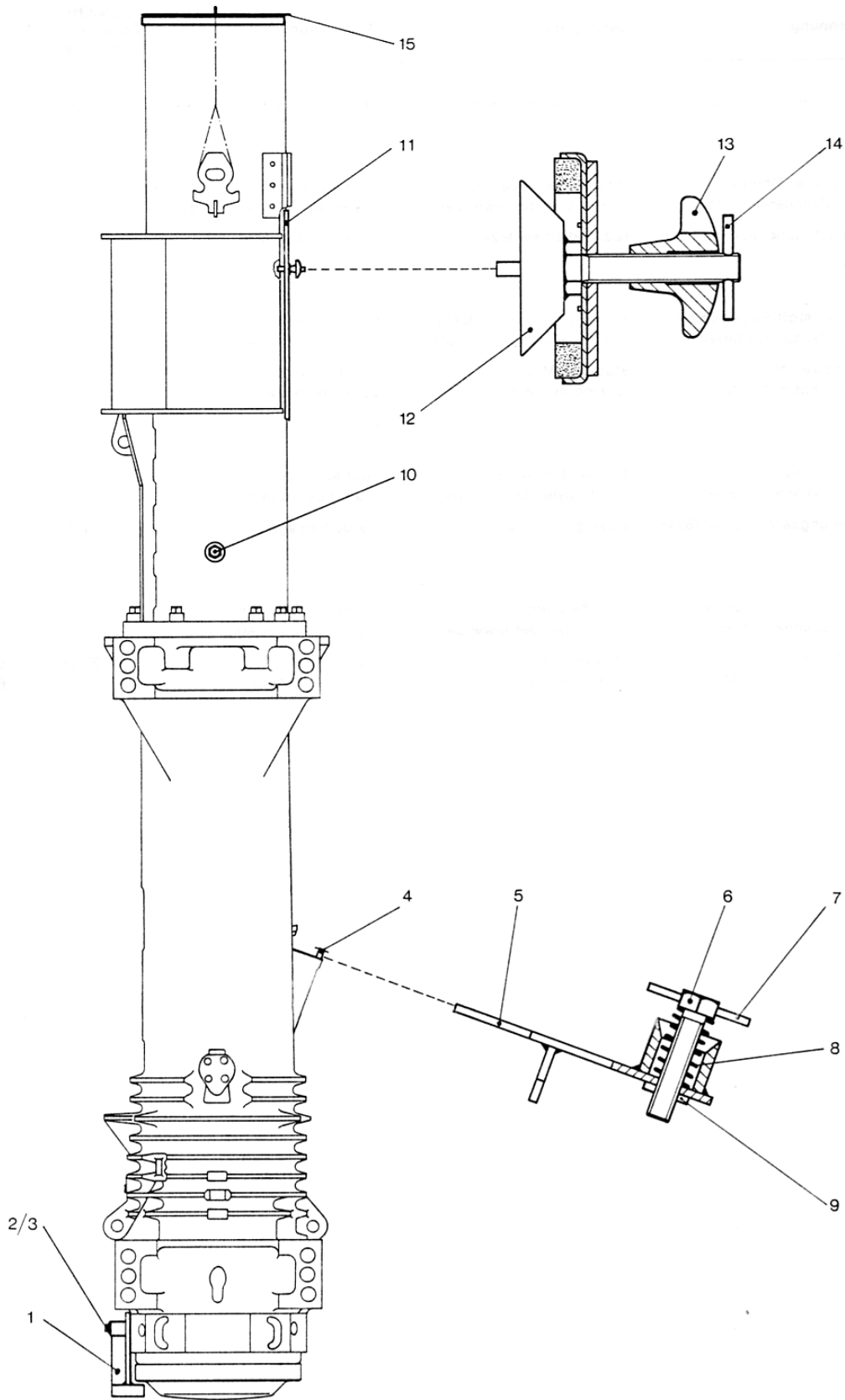
No.	Parts-No.	Description	Qty.	Remark
-	135.12.00	Lube Line With Connecting Complete	1	108777
1	132.12.00-2	Hose (1.6m Long)	1	190554
2	No.0	Hose Clip	1	94299
3	135.07.03-3	Sealing Ring A12×15.5 DIN7603-Cu	8	91417
4	135.07.03-1	Ring Type Nipple	8	97949
5	135.07.03-3	Sealing Ring A12×15.5 DIN7603-Cu	8	91417
6	135.07.03-2	Hollow Screw A6 DIN7623-6.8	8	97948
7	135.12.00-6	Hose (1.35m Long)	1	190563
8	No.000	Hose Clip	1	95115
9	135.12.00-7	T-Piece	1	94522
10	135.12.00-4	Hose (0.56m Long)	2	64848
11	No.000	Hose Clip	4	95115
12	135.12.00-7	T-Piece	2	94522
13	135.12.00-5	Hose (0.28m Long)	4	14644
14	No.000	Hose Clip	8	95115
15	135.12.00-3	Hose (4.05m Long)	1	2033
16	No.000	Hose Clip	2	95115
17	135.12.00-7	T-Piece	1	94522
18	135.12.00-5	Hose (0.28m Long)	2	14644
19	No.000	Hose Clip	4	95115
20	135.12.00-3	Hose (4.05m Long)	1	2033
21	No.000	Hose Clip	2	95115
22	135.12.00-7	T-Piece	1	94522
23	135.12.00-5	Hose (0.28m Long)	2	14644
24	No.000	Hose Clip	4	95115
25	135.12.00-1	Hose Clip	15	2932
26	135.12.00-8	Locking Screw M8×12	30	93412
27	135.01.02-2	Reducer	4	22592
28	135.01.02.02A	Grease Nipple M10×L	4	90791



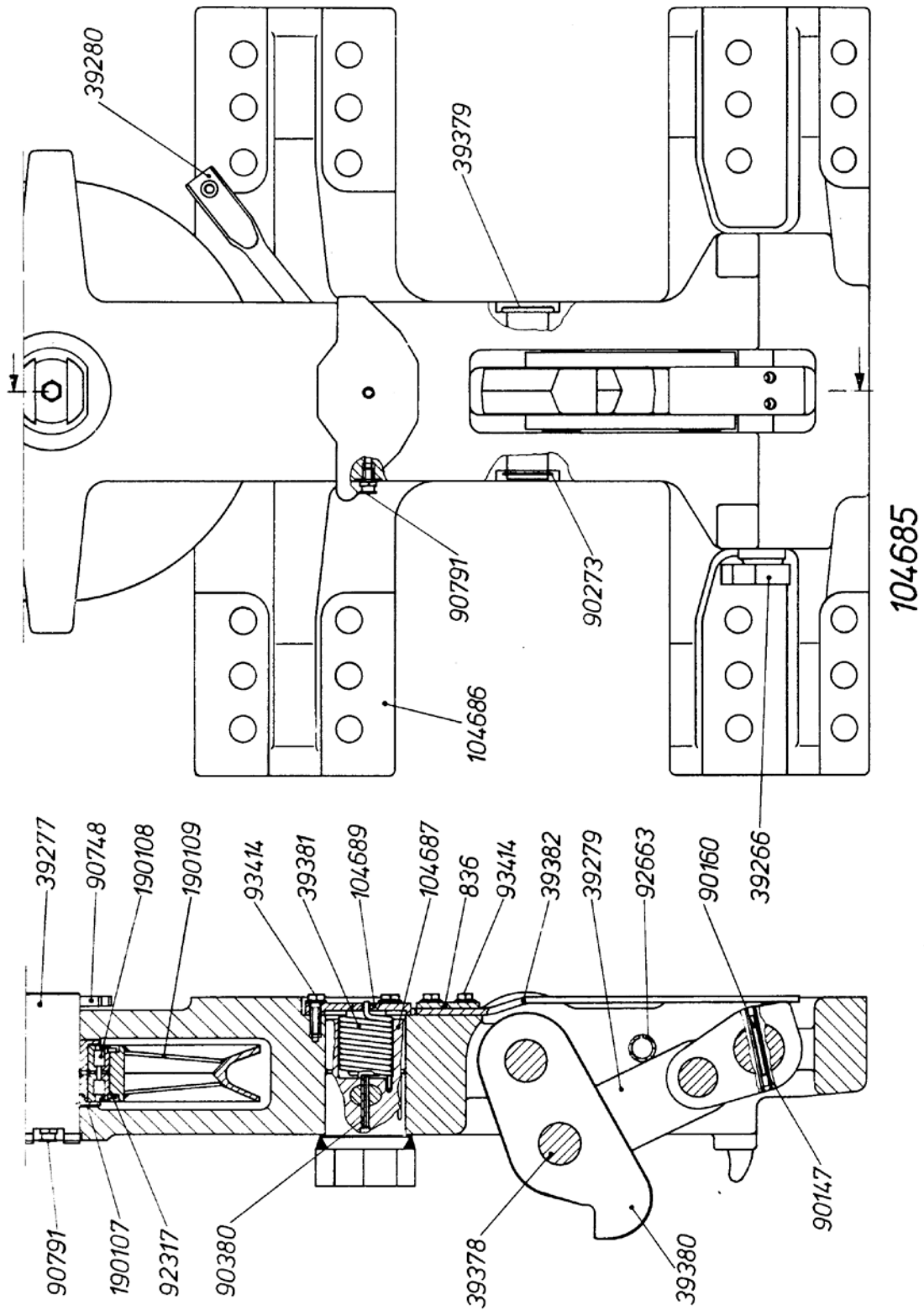
No.	Parts-No.	Description	Qty.	Remark
-	132.03.00	Cylinder Upper Part Complete	1	108740
1	135.06.00-4	Dowel Pin 40×75	8	95195
2	135.03.02	Filter Elbow	3	64403
*	135.03.02-1	Screwed Joint		66552
*	135.03.02-2	Filter Element		99896
3	135.03.00-2	Protection Plug	1	96890
4	135.03.05-1	Plug Screw “Diesel”	1	17184
5	135.03.03-2	Chain Link, Exchangeable	1	2253
6	135.03.05-1	Plug Screw “Diesel”	1	17186
7	135.03.03-2	Chain Link, Exchangeable	1	2253
8	135.03.04-1	Plug Screw “Oil”	1	17188
9	135.03.03-2	Chain Link, Exchangeable	1	2253
10	135.03.05-1	Plug Screw “Ether”	1	20651
11	135.03.03-1	Chain Link, Exchangeable	1	2253
12	135.03.00-1	Ratchet	2	17039
13	135.03.00-3	Dowel Pin 13×60	2	90044
14	135.01.02.02A	Grease Nipple M10×L	2	90791
15	132.3.1.2	Extend Cylinder	1	
15'	133.18.00	Extend Cylinder	1	
16	GB/T5782-1986	Screw	8	
17	GB/T6185-1986	Nut	8	
18	GB/T93-1987	Washer	8	



No.	Parts-No.	Description	Qty.	Remark
-	136.06.00	Set Connecting Parts Complete For Cylinder Upper Part With Lower Cylinder Part.	1	43281
1	136.06.00-2	Reduced Screw M24 For Variable-Delivery Fuel Pump With Lower Cylinder Part.	12	20174
2	136.06.00-1	Stud Bolt M16	6	20189
3	136.06.00-4	Locking Nut M16 For Injection Valve With Lower Cylinder Part.	6	94722
4	136.06.00-6	Locking Screw M16×45 For Lube Pump With Lower Cylinder Part.	4	95639
5	136.06.00-2	Stud Bolt M16	2	20189
6	136.06.00-5	Locking Nut M16	2	94722



No.	Parts-No.	Description	Qty.	Remark
-	135.10.00	Transport Protection Complete	1	108773
1	135.10.01	Impact Block Securing Clamp	1	108774
2	135.06.00-4	Dowel Pin 40×75	1	95195
3	135.06.00-2	Reduced Screw M24	1	20174
4	135.10.04	Exhaust Complete	2	43237
5	135.10.04.01	Cover	1	43234
6	135.10.04.02	Screw Complete	1	20076
7	GB/T879-1986	Dowel Pin 5×50 DIN1481	1	90661
8	135.10.04-1	Pressure Spring	1	20082
9	GB/T879-1986	Dowel Pin 3×20 DIN1481	1	91144
10	135.10.00-1	Locking Screw M42×3	1	13890
11	135.10.02	Cylinder Slot Cover Complete	1	22301
12	135.10.02.02	Tommy Screw	1	45650
13	135.10.02-2	Star Handle	1	96200
14	GB/T879-1986	Dowel Pin 6×60 DIN1481	1	91601
15	132.10.03A	Protecting Cap	1	43284
*	132.10.05	Transport Angle Bracket	4	



No.	Parts-No.	Description	Qty.	Remark
-	132.05.00	Trip Gear Complete	1	104685
1	132.05.00-6	Guide Body Complete	1	104686
2	GB/T879-1986	Dowel Pin 25 × 140 DIN1481	1	92663
3	135.01.02.02A	Grease Nipple M10 × L	1	90791
4	132.05.03	Cam With Lever	1	39266
5	GB/T879-1986	Dowel Pin 10 × 80 DIN1481	2	90147
6	GB/T879-1986	Dowel Pin 6 × 60 DIN1481	2	90160
7	132.05.00-1	Shackle	2	39279
8	132.05.00-2	Joint Bolt	2	39378
9	132.05.00-3	Pawl	1	39380
10	135.05.00-10	Pin	1	39379
11	GB/T893-1986	Circlip 40 × 1.75 DIN471	1	90273
12	132.05.00-9	Plate Spring	1	39382
13	132.05.00-8	Plate	1	836
14	135.05.00-14	Locking Screw M10 × 30	4	93414
15	132.05.06	Driving Plug	1	104687
16	132.05.00-17	Lever	1	39280
17	GB/T879-1986	Dowel Pin 8 × 50 DIN1481	2	90380
18	132.05.00-7	Torsion Spring	1	39381
19	132.05.07	Cover	1	104689
20	135.05.00-14	Locking Screw M10 × 30	3	93414
21	132.05.04	Rope Pulley Complete	1	
22	132.05.04-5	Cylinder Roller Bearing	1	
23	132.05.04-4	Pressure Plate	1	
24	132.05.04-1	Sleeve	2	190107
25	132.05.01	Sheave Pin Complete	1	39277
	132.05.01-1	Sheave Shaft	1	39278
26	135.01.02.02A	Grease Nipple M10 × L	1	907491
27	GB/T91-1986	Split Pin 10 × 90 DIN94-St	1	90748

No.	Parts-No.	Description	Qty.	Remark
-	132.16	Tools And Accessories	1	
1	132.16.1	Piston Ring Fitting Band Complete	1	39461
2	135.16.02	Piston Ring Fitting Pliers Complete	1	626
3	135.16.03	Assembly Plate Complete	2	22700
4	135.16.04-1	Assembly Plate	1	22251
5	135.16.04-2	Connecting Plate	1	22252
6	135.16.04-3	Bolt	2	22253
7	135.16.04-4	Pin Sheave	1	22259
8	135.16.04-5	Punch $\Phi 12/\Phi 16$	1	93349/90354
9	135.16.04-6	Punch $\Phi 4/\Phi 8$	1	90178/93348
10	135.16.04-7	Single-Head Spanner	1	
11	135.16.05	Tool Box	1	90890
12		Rope 35m Long	2	1130
13		Rope 70m Long	1	1129
14	2350-20/36 DWN29	Ratchet Spanner	1	90196
15	GB/T825-1988	Ring Screw M48	1	93343
16	GB/T8918-1996	Cable Wire 3m	2	
17	GB/T5976-1986	Cable Clamp	10	
18	GB/T4388-1995	Double Ended Open Spanner 30×32 DIN895	1	90655
19	GB/T4388-1995	Double Ended Open Spanner 22×24 DIN895	1	95834
20	GB/T4388-1995	Double Ended Open Spanner 19×22 DIN895	1	90443
21	GB/T4388-1995	Single Ended Open Spanner 46 DIN894	1	90184
22	GB/T4388-1995	Single Ended Open Spanner 27 DIN894	1	90465
23	GB/T4388-1995	Single Ended Open Spanner 17 DIN894	1	
24	GB/T4388-1995	Double Ended Ring Spanner 22×24 DIN838	1	95834
25	GB/T4388-1995	Double Ended Ring Spanner 17×19 DIN838	1	92015
26	GB/T3390-1989	Socket Wrench SW36	1	94461
27	GB/T5356-1998	Angled Screw Driver 5 DIN911	1	90055
28	GB/T5356-1998	Angled Screw Driver 6 DIN911	1	90862
29	GB/T5356-1998	Angled Screw Driver 8 DIN911	1	90657
30	GB/T5356-1998	Angled Screw Driver 19 DIN911	1	90194
31		Pliers A19 DIN5254	1	90785
32		Safety Helmet	1	92133
33		Oil Feeder	1	90670
34	135.16.06	Grease Gun	1	90795