



OPERATION / MAINTENANCE MANUAL

DASH HYDRAULIC IMPACT HAMMER

7032 SOUTH 196th - KENT, WA 98032 - (800) 248-8498 / FAX (253) 872-8710

V. DRIVE BASE DEFINITION

V-1. Floating Striker Drive Base

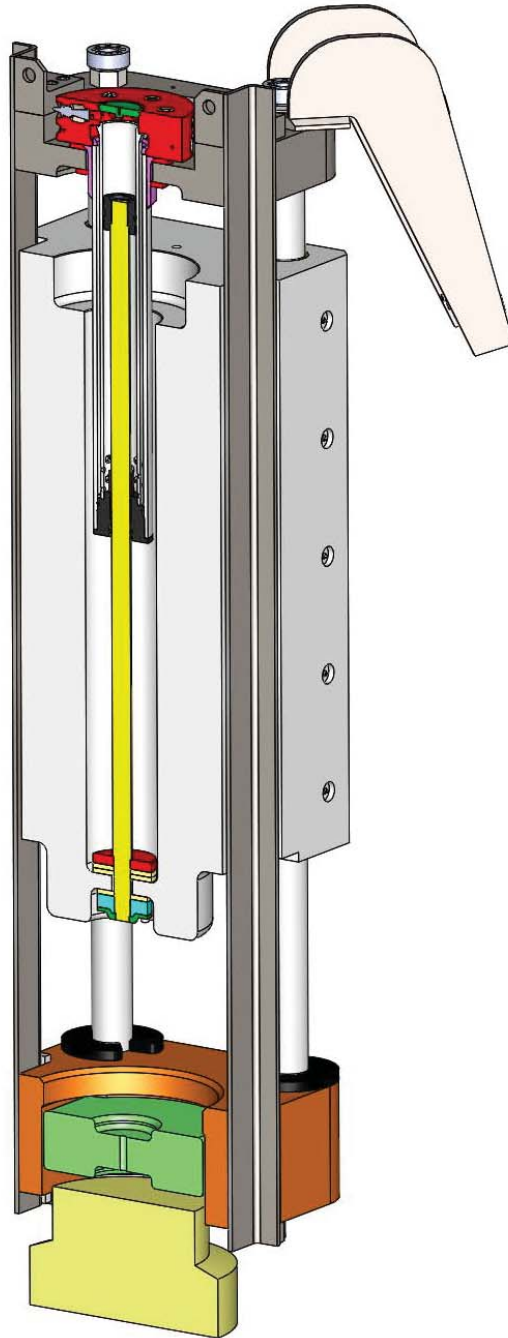


Figure 5-A Drive Base



OPERATION / MAINTENANCE MANUAL

DASH 3 HYDRAULIC IMPACT HAMMER

7032 SOUTH 196th - KENT, WA 98032 - (800) 248-8498 / FAX (253) 872-8710

V. DRIVE BASE DEFINITION

V-2. Type "D" Drive Base

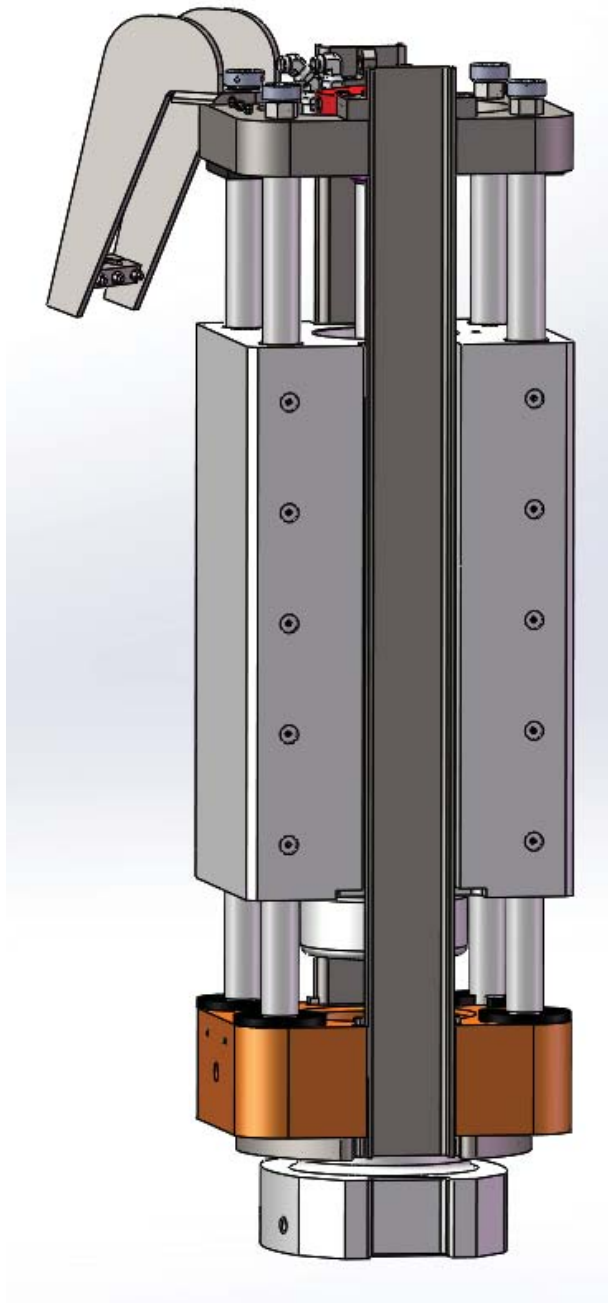


Figure 5-B Direct Drive Striker Drive Base



OPERATION / MAINTENANCE MANUAL

DASH 3 HYDRAULIC IMPACT HAMMER

7032 SOUTH 196th - KENT, WA 98032 - (800) 248-8498 / FAX (253) 872-8710

V. DRIVE BASE DEFINITION

V-1. Type "D" Drive Base

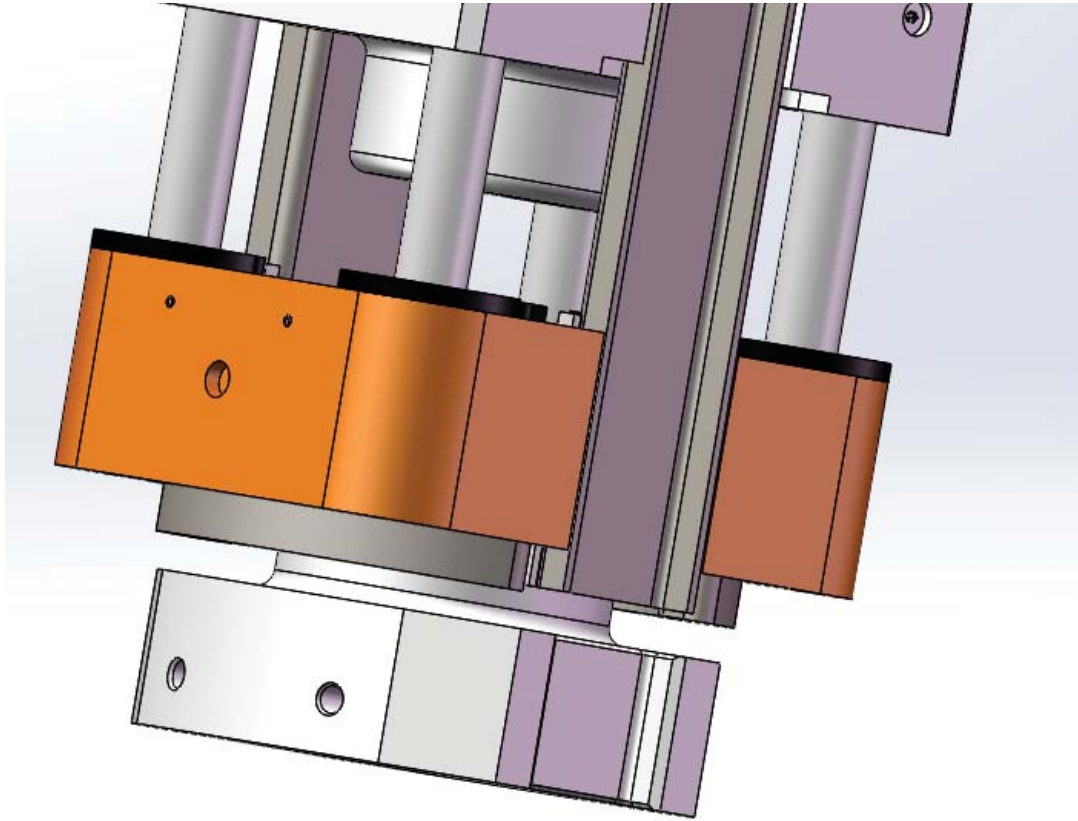


Figure 5-C Direct Drive Striker Drive Base

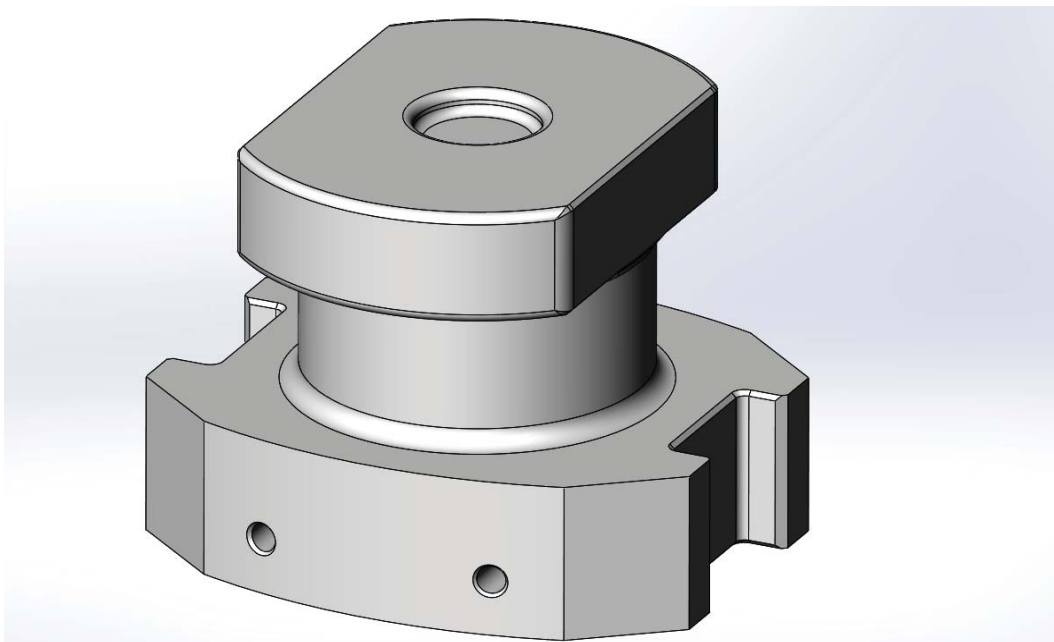


Figure 5-D Direct Drive Striker Drive Base



OPERATION / MAINTENANCE MANUAL

DASH 3 HYDRAULIC IMPACT HAMMER

7032 SOUTH 196th - KENT, WA 98032 - (800) 248-8498 / FAX (253) 872-8710

V. DRIVE BASE DEFINITION

V-3. DB-26 or DB-32 Insert

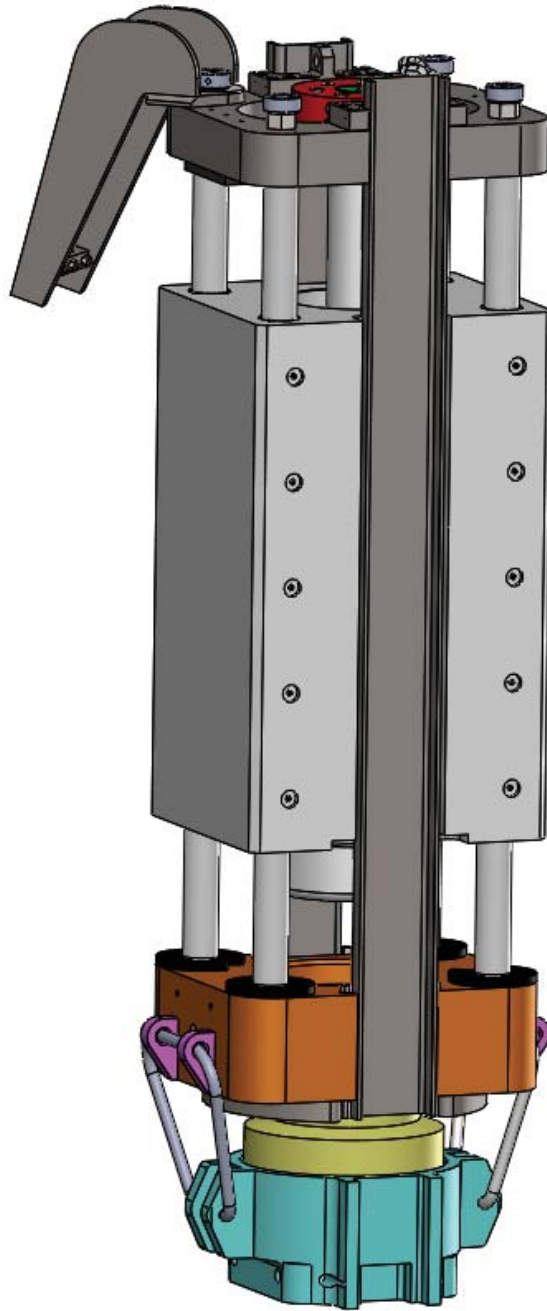


Figure 5-E DB-26 or DB-32 Insert