



APE POWER UNIT OWNER'S MANUAL

DEEP FOUNDATION SOLUTIONS



800-248-8498

WWW.AMERICANPILEDIVING.COM

**MODEL 950
VARIABLE POWER UNIT**

Copyright © 2021 American Piledriving Equipment Inc. All Rights Reserved

Copyright © 2021 American Piledriving Equipment Inc.

*All rights reserved, No part of this publication may be reproduced, distributed, or transmitted in any form of by any means, including photocopying, recording, or other electronic or mechanical methods, without prior written permission of the publisher. For permission requests, write to the publisher, addressed “**Attention: American Piledriving Equipment Manual Division**” at the address below.*

AMERICAN PILEDRIVING EQUIPMENT, INC.

7032 S. 196th Street

Kent, Washington 98032

Office: 253-872-0141

Toll Free: 800-248-8498

Fax: 253-872-8710

APE_Manuals@americanpiledriving.com



800-248-8498

WWW.AMERICANPILEDRIVING.COM

MODEL 950 VARIABLE POWER UNIT

Copyright © 2021 American Piledriving Equipment Inc. All Rights Reserved

Quick Reference Guide

This Quick Reference Guide will assist you in finding the information you're looking for.

GENERAL INFORMATION

MAINTENANCE

TROUBLE SHOOTING

REPLACEMENT PARTS

REFERENCE / NOTES

A Table of Contents is included after the Foreword.

Description:

MODEL 950 TIER IV VARIABLE POWER UNIT



WARRANTY INFORMATION

American Piledriving Equipment, Inc. (APE) warrants new products sold by it to be free from defects in material or workmanship for a period of one (1) year after the date of delivery to the first user and subject to the following conditions:

- APE's obligation and liability under this WARRANTY is expressly limited to repairing or replacing, at APE's option, any parts which appear to APE upon inspection to have been defective in material or workmanship. Such parts shall be provided at no cost to the user, at the business establishment of APE or the authorized APE distributor of the product during regular working hours.
- This WARRANTY shall not apply to component parts or accessories of products not manufactured by APE, and which carry the warranty of the manufacturer thereof, or to normal maintenance (such as engine tune-up) or normal maintenance parts (such as filters).
- Replacement or repair parts installed in the product covered by this WARRANTY are warranted only for the remainder of the warranty as if such parts were original components of said product.
- APE makes no other warranty, expressed or implied, and makes no warranty of merchantability or fitness for any particular purpose.
- APE's obligations under this WARRANTY shall not include any transportation charges, costs of installation, duty, taxes or any other charges whatsoever, or any liability for direct, indirect, incidental or consequential damage or delay.
- If requested by APE, products or parts for which a warranty claim is made are to be returned, transportation prepaid, to APE.

OIL MUST MEET ISO CLEANLINESS CODE 17/15/11.
OIL THAT DOES NOT MEET CLEANLINESS CODE
WILL **VOID** THE WARRANTY

ANY IMPROPER USE, INCLUDING OPERATION
AFTER DISCOVERY OF DEFECTIVE OR WORN
PARTS, OPERATION BEYOND RATED CAPACITY,
SUBSTITUTION OF ANY PARTS WHATSOEVER,
USE OF PARTS NOT APPROVED BY APE OR ANY
ALTERATION OR REPAIR BY OTHERS IN SUCH A
MANNER AS, IN APE'S JUDGMENT, AFFECTS THE
PRODUCT MATERIALLY AND ADVERSELY, SHALL
VOID THIS WARRANTY.

ANY TYPE OF WELDING ON APE'S EQUIPMENT
WILL **VOID** THE WARRANTY UNLESS AUTHORIZED
IN WRITING BY APE

NO EMPLOYEE IS AUTHORIZED TO CHANGE
THIS WARRANTY IN ANY WAY OR GRANT ANY
OTHER WARRANTY UNLESS SUCH CHANGE IS
MADE IN WRITING AND SIGNED BY AN OFFICER
OF APE, INC.

FOREWORD

This manual covers **APE Hydraulic Power Unit** safety, operation instructions, lubrication and maintenance information. This manual should be stored in or near the engine area in a literature holder or literature storage area.

The data provided in this manual gives the necessary information to operate and maintain APE equipment. The listed procedures are to be performed by qualified personnel who have an understanding of the equipment and who follow all safety precautions.

Some photographs or illustrations in this manual show details or attachments that may be different from your equipment. Continuing improvement and advancement of product design may have caused changes to your equipment which are not included in this manual. Whenever a question arises regarding your equipment, or this manual, please consult with your APE dealer for the latest available information.

Using this manual:

- Refer to the Table of Contents for the page location of applicable sections.
- All weights and measurements are in English and Metric units.
- Please visit www.americanpiledriving.com for product data sheets and manuals and latest available information.

DISCLAIMER:

This unit was tested and flushed before leaving our facility. In order to help provide years of trouble-free usage, please review the following documentation and make sure to clean and flush the quick disconnect fitting on any equipment before connecting it to the power unit.

Refer to schematic diagrams and the BOM (Bill of Materials) for component part specifications and recommended spare parts.

When calling APE, always have the equipment serial number on hand in order to obtain quicker service.



TABLE OF CONTENTS

TABLE OF CONTENTS.....	6
SPECIFICATIONS.....	7
GENERAL SAFETY PRECAUTIONS	8
SAFETY MESSAGES	10
GENERAL HAZARD INFORMATION.....	12
BURN PREVENTION	13
BEFORE STARTING ENGINE.....	14
ELECTRICAL SYSTEM.....	15
EQUIPMENT OVERVIEW.....	16
OPERATION SECTION	18
LIFTING AND STORAGE	18
CONNECTING THE HYDRAULICS.....	18
START / WARM UP PROCEDURE.....	20
OPERATING PROCEDURE / TEMPERATURES	20
CONTROL PANEL.....	22
CONTROL PANEL OPERATION.....	23
WIRELESS PENDANT	27
CONTROL PANEL DISPLAY	28
MAINTENANCE	32
STORAGE	34
UNDERSTANDING THE HYDRAULIC SYSTEM	35
TROUBLESHOOTING.....	35
HYDRAULIC SCHEMATIC.....	36
ELECTRICAL SCHEMATIC	38
PROGRAMMING	45
UPDATING THE DISPLAY.....	46
UPDATING THE PANEL.....	47
VARIABLE SPEED CALIBRATION	48
REPLACEMENT PARTS	49
PUMP ARRANGEMENTS	54
COOLER ARRANGEMENTS	56
REFERENCE / NOTES.....	57



SPECIFICATIONS

DIMENSIONS

Overall Length	186 in	(472 cm)
Overall Width	87 in	(221 cm)
Overall Height	103 in	(262 cm)
Weight	28,000 lbs	(13,041 kg)
Fuel Capacity	180 gal	(681 L)

ENGINE

Type	Caterpillar C27 Tier IV Final	
Horse Power	950 hp	(708 kW)
Displacement	1,648.0 in ³	(27,005 cc)
Compression Ratio	16.0:1	
Engine Speed	1,800 rpm	
Engine Oil	Caterpillar Diesel Engine Oil 10W30 or 15W40	
	36.5 Qt (US)	34.5 (L)



HYDRAULICS

Drive Pressure	0 - 5,000 psi	(345 bar)
Drive Flow	285 GPM	(1078 LPM)
Clamp Pressure	0 - 4,800 psi	(331 bar)
Clamp Flow	10 gpm	(38 LPM)
Pump Drive Oil	Schaefer 268 SAE 140	
	1.5 gal	(5.7 L)
Hydraulic Oil	Envirologic 146	
Hydraulic Capacity	600 gal	(2271 L)

SAFETY SECTION

General Safety Precautions

GENERAL INFORMATION



DANGER indicates a hazardous situation which, if not avoided, will result in death or serious injury.



WARNING indicates a hazardous situation which, if not avoided, could result in death or serious injury.



CAUTION indicates a hazardous situation where injury could occur but is unlikely to be serious or lead to death.



NOTICE indicates information that may help or guide you in the operation or service of the equipment.

DISCLAIMER:

This unit was tested and flushed before leaving our facility. In order to help provide years of trouble free usage, please review the following documentation and make sure to clean and flush the field piping before connecting it to the power unit.

Refer to schematic diagrams and the BOM (Bill of Materials) for component part specifications and recommended spare parts.

When calling APE (American Piledriving Equipment), always inform them of the supplied serial # in order to obtain quicker service

NOTICE

READ THIS MANUAL THOROUGHLY BEFORE OPERATING AND / OR WORKING ON THE EQUIPMENT

1. Read and follow any safety instructions in the CATERPILLAR ENGINE OPERATOR'S MANUAL.
2. Only well-trained and experienced personnel should attempt to operate or maintain this equipment.
3. NEVER adjust, lubricate and/or repair the unit when it is in operation or lifted above ground level.
4. NEVER remove, paint over and/or cover warning or safety labels. If labels become damaged or unreadable, replace immediately.
5. All personnel should wear approved safety clothing including HARD HATS, SAFETY SHOES, SAFETY GLASSES and HEARING PROTECTION when near this equipment.
6. Do **NOT** stand any closer to this equipment than necessary when it is in operation. Parts may loosen and fall. **NEVER** stand under operating or elevated equipment.
7. When maintaining and/or repairing the equipment, **NEVER** substitute parts not supplied or approved in writing by APE.

NOTICE

Do **NOT** weld or flame cut on this equipment.

8. NEVER use or store flammable liquids on or near the engine.
9. Insure that all lifting equipment, including cranes, wire rope, slings, hooks, shackles, etc., are properly sized for the worst caseloads anticipated during operations.
10. If there are any questions about the weights, specifications and/or performance of the unit, contact APE before handling and/or operating the equipment.
11. Check wire rope clips for tightness and wire ropes for wear daily.
12. Insure that ground vibrations will not damage or collapse adjacent structures or excavations.

SAFETY SECTION



*When operating in an enclosed area, exhaust fumes should be piped outside. Continued breathing of exhaust fumes may prove **FATAL**.*

13. Remove all tools, parts and/or electrical cords before starting the unit.
14. When servicing batteries, do **NOT** smoke and/or use an open flame in the vicinity. Batteries generate explosive gas during charging. There must be proper ventilation when charging batteries.
15. When filling the fuel tank, do **NOT** smoke and/or use an open flame in the vicinity.
16. If abnormal equipment operation is observed, discontinue use immediately and correct the problem.
17. Do **NOT** leave the equipment control pendant (radio control) unattended.
18. Store oily rags in approved containers and away from the engine exhaust system.
19. If running an auger/drill, make sure that the Auger rotation switch is in NEUTRAL before starting the Power Unit engine
20. Do **NOT** adjust and/or set the hydraulic pressures higher and/or lower than those specified in this Manual.
21. NEVER operate this equipment with hydraulic hoses that are damaged or 'kinked'. Replace damaged hoses immediately.
22. Do **NOT** lift and/or support hydraulic hoses with wire rope slings.
23. NEVER attempt to connect Quick Disconnects (QDs) when the Power Unit is running.
24. Do **NOT** pull on and/or attempt to move equipment with the hydraulic hoses.
25. Do **NOT** attempt to locate hydraulic leaks with your hands. High-pressure leaks can penetrate skin and cause severe damage, blood poisoning and/or infection.
26. Do **NOT** attempt to repair leaks while the equipment is in operation.
27. Do **NOT** attempt to tighten and/or loosen fittings and/or hoses when the machine is in operation.
28. Power Unit must always be placed on level, stable ground.
29. Do **NOT** remove Power Unit heat shields. Do NOT

attempt to use the Power Unit without heat shields. Severe fires may result.

NOTICE

*A properly maintained fire extinguisher, suitable for oil fires, **MUST be kept in the Immediate vicinity of equipment operations.***

30. When moving and/or transporting this equipment, insure that the vehicle and/or vessel is of sufficient capacity to handle the load. Make sure that the equipment is properly tied down.
31. When moving and/or transporting this equipment, be sure that the QD Dust Caps are tight and that the cap safety cables are in place. Be sure that all equipment parts are tight and/or properly secured before shipment. Unsecured parts may vibrate loose and fall during transport causing injury and/or property damage.
32. Rounded and/or damaged bolt heads and/or nuts should be replaced so that proper torque values may be obtained. Proper torque values are necessary to prevent parts on this equipment, leads and/or crane booms from loosening and/or falling. (Refer to the torque chart in this manual for the proper values.)
33. When operating in a closed area, pipe exhaust fumes outside. (**Warning:** Breathing exhaust fumes can cause serious injury or even death.)
34. When loading or unloading the power unit using a forklift, the forks must be placed under the entire depth of the unit.
35. Keep hands away from rotating fighting auger shaft and/or rotary joint.
36. Do **NOT** allow clothing, hoses, ropes, etc., to be entangled in, or wrap around, rotating fighting, Auger Shaft and /or rotary joint.
37. Never stand under an equipment at any time and keep your eyes on the equipment when it is in operation.



Safety Messages

There may be several specific safety messages on your equipment. The exact location and description of the safety messages are reviewed in this section. Become familiar with all safety messages.

Ensure that all the safety messages are legible. Clean the safety messages or replace the safety messages if the words cannot be read or if the illustrations are not visible. Use a cloth, water and soap to clean the safety messages. Do not use solvents, gasoline, or other harsh chemicals. Solvents, gasoline, or harsh chemicals could loosen the adhesive that secures the safety messages. The safety messages that are loosened could drop off the equipment.

Replace any safety message that is damaged or missing. If a safety message is attached to a part of the equipment that is replaced, install a new safety message on the replacement part. Your APE dealer can provide new safety messages.



Do not operate or work on this equipment unless you have read and understand the instructions and warnings in the Operation and Maintenance Manual. Failure to follow the instructions or read the warnings could result in injury or death. Contact any APE dealer for replacement manuals. Proper care is your responsibility.

Quick Disconnect Notice

NOTICE: QUICK DIS-CONNECTS MUST BE FULLY SEATED TO ALLOW FREE HYDRAULIC FLOW. BLOCKED HYDRAULIC FLOW WILL STOP OR SLOW OPERATIONS AND CAUSE EXCESSIVE HEAT. TO SOLVE PROBLEM, REMOVE CLEAN AND RE INSTALL FITTINGS

Make sure all QD's are installed and connected completely. Failing to do so may cause damage or prevent proper operation.

Identification Tag



This information is important when contacting APE for replacement parts or other information.

- * Model
- * Serial No.

Hydraulic Oil Full



Hydraulic oil needs to be kept at correct FULL level at all times. Do **NOT** overfill the tank. This may cause leakage when hot, due to insufficient space for oil to expand. Depending on the power unit it will have either one or two electronic hydraulic sensors to monitor low oil level and oil level shutdown, to prevent damage to the power unit.

Do Not Weld



Do **NOT** weld on or around the power unit unless authorized in writing by APE. Doing so will void all warranties and may cause damage to the power unit or vibro.

SAFETY SECTION

General Hazard Information



Attach a “Do Not Operate” warning tag to the start switch or controls before the equipment is serviced or repaired. Attach the warning tags to the engine and to each operator control panel. When appropriate disconnect the negative terminal on the battery.

Do not allow unauthorized personnel on the equipment or around the equipment while being serviced.

Cautiously remove the following parts. To help prevent spraying or splashing of pressurized fluids hold a rag over the part that is being removed.

- Filler caps
- Grease fittings
- Pressure taps
- Breathers
- Drain plugs

Pressurized Air and Water

Pressurized air and/or water can cause debris and/or hot water to be blown out which could result in personal injury.

The maximum air pressure for cleaning purposes must be reduced to 30psi (205 kPa) when the air nozzle is deadheaded and used with effective chip guarding (if applicable) and personal protective equipment. The maximum water pressure for cleaning purposes must be below 40psi (275 kPa). When pressurized air and/or pressurized water is used for cleaning, wear protective clothing, protective shoes, and eye protection. Eye

protection includes goggles or a protective face shield. Always wear eye protection for cleaning the cooling system.

Avoid direct spraying of water on electrical connectors, connections, and components. When using air for cleaning, allow the equipment to cool to reduce the possibility of fine debris igniting when redeposited on hot surfaces.

Fluid Penetration

Always use a board or cardboard when you check for a leak. Leaking fluid that is under pressure can penetrate body tissue. Fluid penetration can cause serious injury and possible death. A pin hole leak can cause severe injury. If fluid is injected into your skin, you must get medical treatment immediately. Seek treatment from a doctor that is familiar with this type of injury.

Containing Fluid Spillage

NOTICE

Care must be taken to ensure that fluids are contained during performance of inspection, maintenance, testing, adjusting, and repair of the equipment. Be prepared to collect the fluid with suitable containers before opening any compartment or disassembling any component containing fluids.

Dispose of all fluids according to local regulations and mandates.

Lines, Tubes, and Hoses

Do not bend or strike high-pressure lines. Do not install lines, tubes, or hoses that are damaged.

Repair any fuel lines, oil lines, tubes, or hoses that are loose or damaged. Leaks can cause fires or injury.

SAFETY SECTION

Inspect all lines, tubes, and hoses carefully. Do not use bare hands to check for leaks. Always use a board or cardboard for checking equipment components for leaks. Tighten all connections to the recommended torque.

Check for the following conditions:

- End fittings that are damaged or leaking
- Outer covering that is chafed or cut
- Wire that is exposed in reinforced hose
- Outer covering that is ballooning locally
- Flexible part of the hose that is kinked or crushed
- Armoring that is embedded in the outer covering

Ensure that all of the clamps, guards, and heat shields are installed correctly. Correct installation of these components will help to prevent these effects: vibration, rubbing against other parts and excessive heat during operation.

Inhalation

Exhaust fumes can be hazardous to your health. If you operate the equipment in an enclosed area, adequate ventilation is necessary,

Burn Prevention

Do not touch any part of the equipment during operation. Allow the equipment to cool before any maintenance is performed on the engine. Relieve all pressures in the hydraulic system, fuel system, lubrication system, or cooling system before any lines, fittings, or related items are disconnected.

Coolant

When the engine is at operating temperature, the engine coolant is hot. The coolant is also under pressure. The radiator and all lines to the heaters or to the engine contain hot coolant. When pressure is relieved rapidly, the hot coolant can turn into steam.

Any contact with hot coolant or with steam

can cause severe burns. Allow cooling system components to cool before the cooling system is drained.

Check the coolant level only after the engine has been stopped.

Do not step on the engine in order to remove the filler cap. Ensure that the filler cap is cool before removing the filler cap. Remove the filler cap slowly in order to relieve pressure.

Cooling system conditioner contains alkali. Alkali can cause personal injury. Do not allow alkali to contact the skin, the eyes, or the mouth.

Oil

Hot oil and hot components can cause personal injury. Do not allow hot oil or hot components to contact the skin.

Keep all of the exhaust manifold and turbocharger heat shields in place in order to protect components from oil spray if there is a failure of a line, tube, or seal.

Batteries

The battery electrolyte is acidic. Battery acid can cause personal injury. Do not allow battery acid to come in contact with the skin or the eyes. Always wear protective glasses for servicing batteries. Wash hands after touching the batteries and connectors. The use of gloves is recommended.

Batteries give off combustible gases which can explode. Ensure proper ventilation for batteries that are in an enclosure. Never disconnect any charging unit circuit or battery circuit cable from the battery when the charging unit is operating. A spark can cause the combustible gases to ignite. Do not smoke when batteries are serviced.

Always thaw a frozen battery before jump starting the battery. Frozen batteries can explode.

SAFETY SECTION

Crushing Prevention and Cutting Prevention

Support the equipment properly when work beneath the equipment is performed.

Unless other maintenance instructions are provided never attempt adjustments while the engine is running.

Stay clear of all rotating parts and moving parts. Leave the guards in place until maintenance is performed. After the maintenance is performed reinstall the guards.

Keep objects away from moving fan blades. The fan blades will throw objects or cut objects.

Wear protective glasses in order to avoid injury to the eyes.

Chips or other debris may fly off objects when objects are struck. Before objects are struck, ensure that no one will be injured by flying debris.

Mounting and Dismounting

Do not climb on the equipment, and do not jump off the equipment. Do not stand on the components which can not support your weight. Mount the equipment and dismount the equipment only at locations that have a ladder or handholds.

Before Starting Engine

Inspect the engine for potential hazards.

All protective guards and all protective covers must be installed if the engine must be started in order to perform service procedures. To help prevent an accident that is caused by parts in rotation, work around the parts carefully.

Do not bypass the automatic shutoff circuits. Do not disable the automatic shutoff circuits. The circuits are provided in order to help prevent

personal injury and equipment damage.

On the initial start-up of a new engine or an engine that has been overhauled, be prepared to stop the engine if a problem occurs.

Engine Starting

If a warning tag or do not operate tag is attached to the engine start switch or to the controls, DO NOT start the engine or move the controls. Consult with the person that attached the warning tag before the engine is started.

All protective guards and all protective covers must be installed if the engine must be started in order to perform service procedures. To help prevent an accident that is caused by parts in rotation, work around the parts carefully.

Start the engine from the operator's panel or remote pendant start switch.

Always start the engine according to the procedure that is described in this Operation and Maintenance Manual, "Engine Starting" topic (Operation Section). Knowing the correct procedure will help to prevent major damage to the engine components. Knowing the procedure will also help to prevent personal injury.

Engine exhaust contains products of combustion that can be harmful to your health. Always start and operate the engine in a well ventilated area. If the engine is run in an enclosed area, vent the engine exhaust outside.

Engine Stopping

Stop the engine according to the procedure in the Operation and Maintenance Manual, "Engine Stopping (Operation Section)" in order to avoid overheating of the engine and accelerated wear of the engine components.

Use the Emergency Stop Button ONLY in an

SAFETY SECTION

emergency situation. **Do not use the Emergency Stop Button for normal engine stopping.** After an emergency stop, DO NOT start the engine until the problem that caused the emergency stop has been corrected.

Stop the engine if an over-speed condition occurs during the initial start-up of a new engine or an engine that has been overhauled. This may be accomplished by shutting off the fuel supply to the engine and/or shutting off the air supply to the engine.

To stop an electronically controlled engine, cut the power to the engine.

Electrical System

Never disconnect any charging unit circuit or battery circuit cable from a battery when the charging unit is operating. A spark can cause the combustible gases that are produced by some batteries to ignite.

If the engine must be started by an external electrical source, then always connect the positive jump start cable "+" to the positive terminal "+" of the battery.

To help prevent sparks from igniting combustible gases that are produced by some batteries, the negative "-" jump start cable should be connected last from the external power source to the negative "-" terminal of the starting motor. If the starting motor is not equipped with a negative "-" terminal, connect the jump start cable to the engine block.

Grounding Practices

Proper grounding for the equipment electrical system is necessary for proper engine performance and reliability. Improper grounding will result in uncontrolled electrical circuit paths and unreliable electrical circuit paths.

Uncontrolled equipment electrical circuit paths

can result in damage to the engine and pumps. All grounds should be tight and free of corrosion. The alternator and the starting motor must be grounded to the negative "-" battery terminal.

A grounding strap must be used for all equipment that has an alternator grounded to an engine component. The ground strap must be connected to the component and to the negative "-" battery terminal. The component must be electrically isolated from the engine.

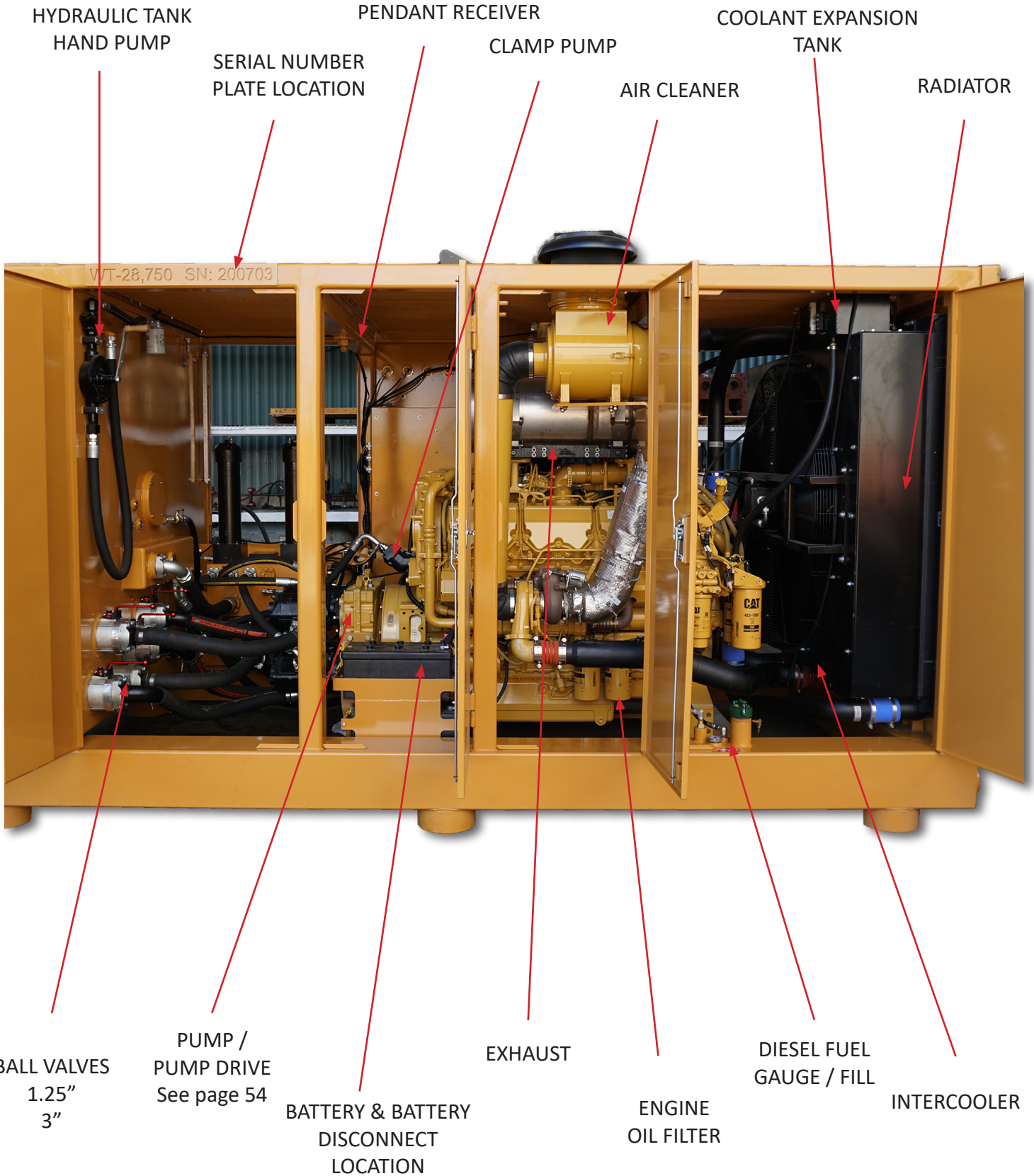
A ground plate with direct path to the negative battery terminal "-" can be used as a common ground point for the components of one engine system.

When servicing a power unit, make sure to disconnect both battery cables starting with the ground wire from the negative terminal on the battery. Not disconnecting the battery can cause damages to the ECM, fees will apply, warranties will be voided.

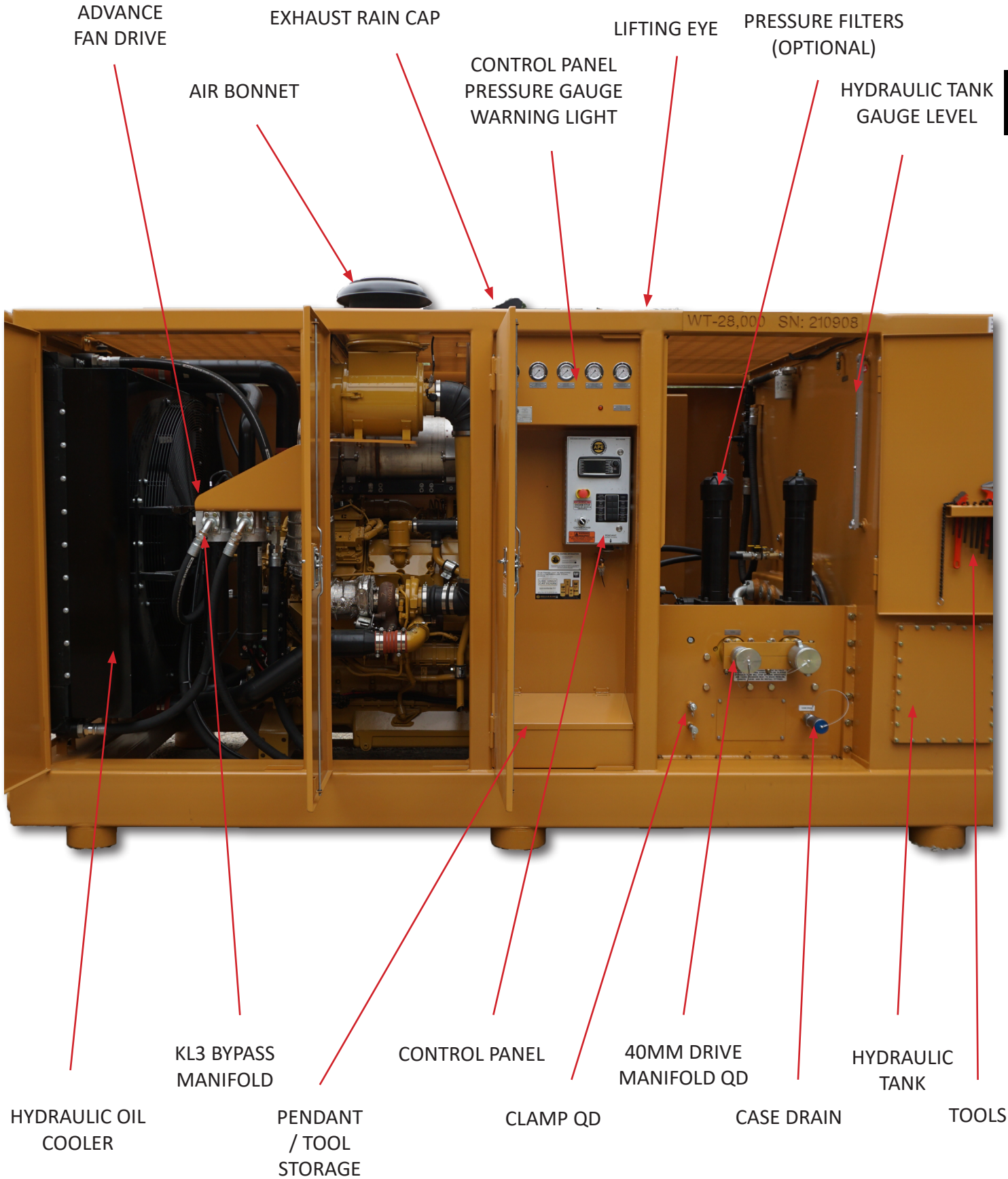
PRODUCT INFORMATION SECTION

Equipment Overview

GENERAL INFORMATION



PRODUCT INFORMATION SECTION



GENERAL INFORMATION



OPERATION SECTION

Lifting and Storage

Always load the power unit with the hydraulic tank facing the front of the truck, to prevent damage to the cooler and radiator from flying debris. When lifting the power unit, position the forklift forks forward as far as possible to prevent load shifts. See Photo.



Connecting the Hydraulics

Connecting the hoses is one of the most critical aspects of commissioning an APE tool.

Take extreme care to keep these connections absolutely clean. This procedure is one of the most common ways for foreign particles to be introduced into a hydraulic system.

To connect the tool to the power unit:

1. Turn the power unit OFF.
2. Position power unit close enough to work that hoses will be able to reach.

- Most hose failures are caused by pulling hoses off couplers. Avoid pulling on hoses.
3. Clean all quick disconnects with brake-wash. They must be completely free of dirt or contaminants.
 4. Attach quick disconnects. Note that quick disconnects of each hose type are mated to prevent backwards hookups.
 5. Tighten all fittings to hand tightness. Verify with chain wrench.
 - DO NOT OVER-TIGHTEN

New hydraulic fluid is NOT clean oil!

Oil must meet ISO cleanliness code 17/15/11

Please do the following:

- Set the engine at idle
- Run at idle for about 10 minutes to fill the lines
- Drive will not engage until the power unit is up to operating temperature.

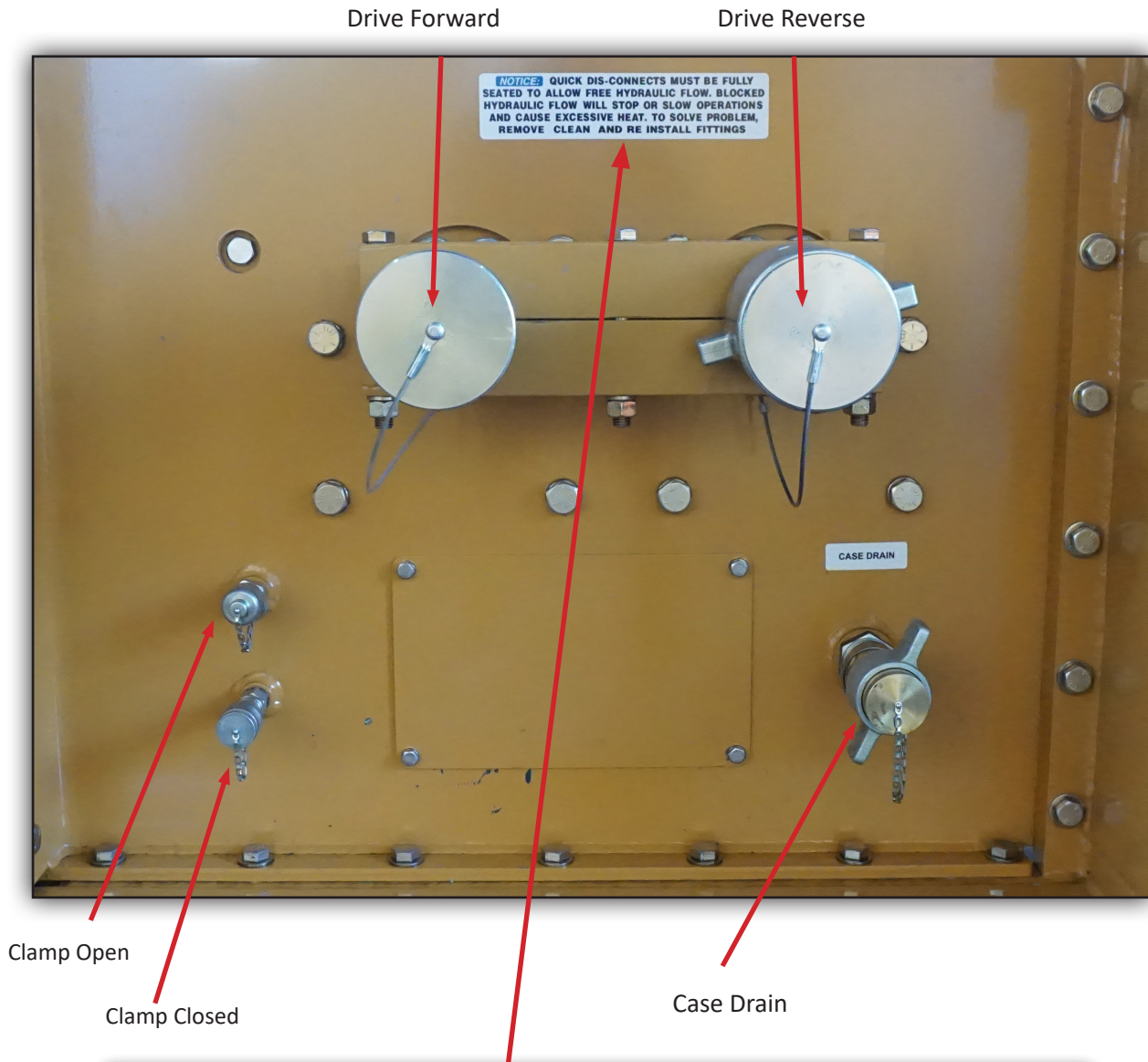
Attention!

Pressurizing the system while there is air entrained in the fluid may cause damage to the components.

Let the system run at idle for an **additional 10 minutes** to allow the air to rise into the airspace of the hydraulic reservoir.

OPERATION SECTION

Connecting the Hydraulics



NOTICE: QUICK DIS-CONNECTS MUST BE FULLY SEATED TO ALLOW FREE HYDRAULIC FLOW. BLOCKED HYDRAULIC FLOW WILL STOP OR SLOW OPERATIONS AND CAUSE EXCESSIVE HEAT. TO SOLVE PROBLEM, REMOVE CLEAN AND RE INSTALL FITTINGS



OPERATING PROCEDURE / TEMPERATURES

Start / Warm Up Procedure

Before operation it is necessary to bring the power unit's hydraulic oil and coolant to a working temperature. To start and warm up the power unit follow the steps below:

1. On the main control panel, turn main power switch to the ON position.
2. Press and hold engine START/STOP button until engine in running. This should only take a few seconds.
3. Power unit will idle at 1200 RPM until the coolant reaches 100°F. Failing to do this may cause seal failures, leaks and excessive pressures through the hydraulic system.

Operating Temperatures

The Operating Temperature references the internal temperature of the engine.

Take into consideration the following requirements:

- 70°C (158°F) – Avoid going over this Operating Temperature for improved service life
- 75°C (168°F) – Highest permissible intermittent Operating Temperature
- -35°C (-31°F) – Lowest permissible Operating Temperature

CONTROL GAUGES

Operating Pressure Gauges



GENERAL INFORMATION

CLAMP OPEN / CLOSE

Clamp open/close shows the pressure being applied to the clamp circuit when opening or closing the clamps. This clamp closed pressure should be set at 4500 psi for safe operation. Clamp open should be set at 4800 psi.

HYDRAULIC COOLER PRESSURE

The hydraulic gauge shows the pressure when the hydraulic oil is recirculating through the cooler. This can be used as an indication tool for when the filter need to be replaced if the pressure starts to increase.

DRIVE FWD / REV PRESSURE

The Drive pressure gauge shows the pressure while the power unit is driving the application in forward or reverse. This should be set at 5000 PSI while the drive is energized.

FAN MOTOR PRESSURE

The fan motor pressure gauge shows the pressure while the hydraulic fan is being driven. Normal fan pressure should be 2600psi when the power unit is up to temperature

HYDRAULIC OIL LOW

When the warning light comes on, that means you are low on hydraulic oil and will need to top off the hydraulic tank.

You can fill hydraulic oil through the Hand pump, or case drain.

REPLACEMENT PARTS

APE PART NUMBER	PART NUMBER	DESCRIPTION
513007	25-310-7500-PSI/BAR-CFF	Gauge-2.5 LBM-SG-0-7500PSI
CONTACT FACTORY	25-310-6000-PSI/BAR-CFF	Gauge-2.5 LBM-SG-0-6000PSI
CONTACT FACTORY	25-310-600-PSI/BAR-CFF	Gauge-2.5 LBM-SG-0-600PSI




CONTROL PANEL

Control Panel Overview

GENERAL INFORMATION

ATTENTION:
WILL SHUT OFF ENGINE, DISENGAGE DRIVE AND ALL VALVES INSTANTLY.
Control panel will stay on.



EMERGENCY ENGINE STOP



Engine Start / Stop

Drive Reverse

Clamp Open

Speed Hi/Low

Panel Power

Turbo
Optional

Drive Forward

Clamp Close

Panel / Pendant Selection

To Select Menu Option

Governor

Selection Button

Inactive Button



CONTROL PANEL OPERATION



ATTENTION:

WILL SHUT OFF ENGINE, DISENGAGE DRIVE AND ALL VALVES INSTANTLY.
Control panel will stay on.

POWER
E-STOP

EMERGENCY ENGINE STOP

EMERGENCY USE ONLY

Do not use unless it's an emergency.

This will shut off the engine, disengage drive and all valves instantly. The control panel power will stay on.

Clamp will stay closed but will not stay energized unless the emergency stop is disengaged.

CONTROL PANEL POWER ON / OFF

This will turn the power on to the control panel. The power must be on to run the unit.

GENERAL INFORMATION

Note: The color of the light does not matter, Some Keypads are all green or mix with red.
Please call 1-800-248-8498 to have an A.P.E Certified Technician to enable functions.



CONTROL PANEL OPERATION



ENGINE, HYDRAULICS, & DIAGNOSTIC SCREEN VIEWS

Display to view Engine Rpm, Hydraulic pressure, and Diagnostic screen. See Page 28.

ENGINE RPM GOVERNOR

Spin right to increase engine RPM in increments of 50. Press the knob then spin right to reach max engine RPM instantly.

Spin left to decrease engine RPM in increments of 50. Press the knob then spin left to reach min engine RPM instantly.

ENGINE START / STOP

If the control panel is powered on, this button will start the engine. You must hold the button down until the engine fully starts.

To stop the engine, press this button again for a short second.

NOTE: Before shutting off the engine, run at 800 RPM idle for at least 1 minute.



CONTROL PANEL OPERATION



DRIVE REVERSE

This will pump oil backwards out of the reverse line into the drive forward line. This is used to fill the hoses with oil or to test a line to make sure the QD is properly connected. If a QD is not connected, the pressure on this line will high max.



DRIVE REVERSE ON

This will start pumping oil out of the reverse line circuit

DRIVE FORWARD

This button will pump oil into the drive forward line, getting the hammer to vibrate.



DRIVE FORWARD ON

This will start pumping oil out of the forward line circuit

Note: The color of the light does not matter, Some Keypads are all green or mix with red.
Please call 1-800-248-8498 to have an A.P.E Certified Technician to enable functions.

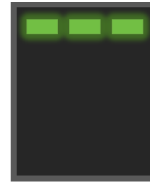


CONTROL PANEL OPERATION

GENERAL INFORMATION

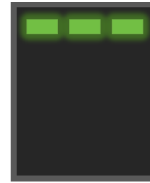


TURBO



This button engages maximum VPM. "Momentary" When released the VPM will decrease back to maximum continuous duty VPM. "IF EQUIPPED"

CLAMP OPEN



This button opens the clamp

CLAMP CLOSE



This button closes the clamp.

DRILL SPEED HI/LO

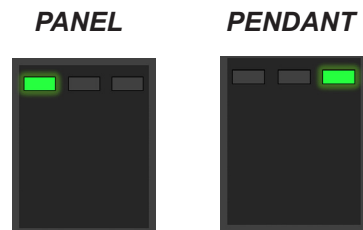
This button allows you switch drill speed between Hi or low speed.



NOTE: IF EQUIPPED

PANEL / PENDANT MODE SELECTION

This button allows you to switch the control functions between the panel control and pendant.



NOTE: LED Position indicator

Note: The color of the light does not matter, Some Keypads are all green or mix with red.
Please call 1-800-248-8498 to have an A.P.E Certified Technician to enable functions.

WIRELESS PENDANT / REMOTE

Wireless Pendant OPTIONAL

FEATURES

- Wireless Remote
- USB Magnetic Charging Dock
- Range Distance up to 600'
- Rugged Heavy Duty
- Ergonomic Handheld
- Waterproof
- Shockproof
- High-Impact Rated
- Engine Display
- Hydraulic Display
- Extended Battery Life

POWER / EMERGENCY STOP

ATTENTION:

WILL SHUT OFF ENGINE, DISENGAGE DRIVE AND ALL VALVES INSTANTLY.

Control panel will stay on.



GOVERNOR

DECREASE ENGINE RPM
Press to decrease RPM by increments of 50 RPM. Hold for Min RPM.

DRIVE REVERSE

Press DRIVE REV button to ENGAGE
ENABLE BUTTON REQUIRED
Press DRIVE REV button again to disengage

VPM

DECREASE VPM
ENABLE BUTTON REQUIRED
Press to decrease VPM by increments of 50

CLAMP OPEN

Press CLAMP OPEN button to ENGAGE
(MOMENTARY)
ENABLE BUTTON REQUIRED

TURBO

Press Turbo button to engage max VPM.
(MOMENTARY)
ENABLE BUTTON REQUIRED

ATTENTION

ENABLE BUTTON

Must be depressed to activate a function:
ENGINE START
DRIVE FWD
DRIVE REV
CLAMP OPEN
CLAMP CLOSE
DRILL HIGH/LOW



GOVERNOR

INCREASE ENGINE RPM
Press to increase RPM by increments of 50 RPM. Hold for Max RPM.

DRIVE FORWARD

Press DRIVE FWD button to ENGAGE
ENABLE BUTTON REQUIRED
Press DRIVE FWD button again to disengage

VPM

INCREASE VPM
ENABLE BUTTON REQUIRED
Press to increase VPM by increments of 50

CLAMP CLOSE

Press CLAMP CLOSE button to ENGAGE / DISENGAGE **(MAINTAIN)**
ENABLE BUTTON REQUIRED

CLAMP PRESSURIZED

NOTE: BLUE LED = CLAMP PRESSURE IS ACTIVE

ENGINE

START/STOP

START
Press Engine Start button to start.
ENABLE BUTTON IS REQUIRED
STOP
Press Engine Stop button to shut down the engine.

VPM OPERATION IF EQUIPPED

VPM is controlled with the pendant when in pendant mode or via the display ('Settings' page within the variable speed vibro tool page) when in local mode. The machine will start up with the default VPM set to the maximum continuous duty VPM. Pressing the button to increase or decrease VPM will increment or decrement VPM by 50 within the bounds of the minimum VPM and the maximum turbo VPM. When in pendant mode and changing the VPM the current speed (VPM) will be shown on the pendant display.

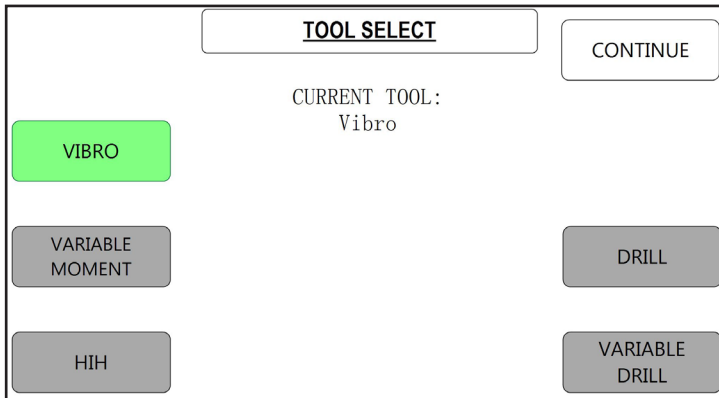
NOTE: "WHILE DRIVING" If remote is out of range, Drive will go into neutral, Engine rpm will decrease to idle, and if clamp is active, clamp will stay closed.

GENERAL INFORMATION



DISPLAY OPERATION

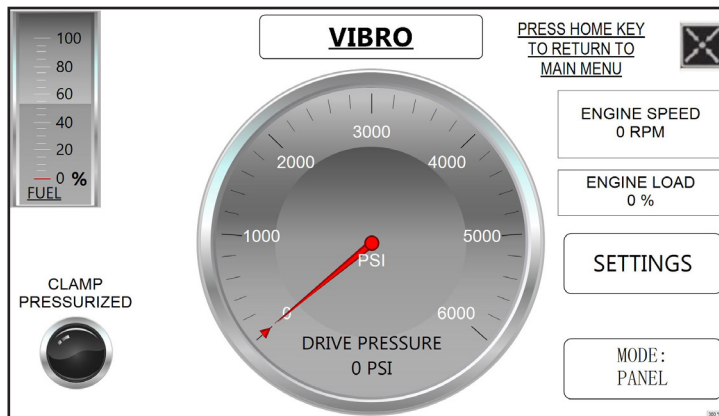
Control Panel Display



This screen is displayed on boot-up, and the default tool for the machine is already colored in green. Press 'CONTINUE' or select a different tool and then press 'CONTINUE' to advance to the confirmation screen. It is critical that the correct tool is selected, as important machine functions are tied to which tool is chosen at this screen. Typically, the default selected tool should be correct, and in that case it is only necessary to press 'CONTINUE'.

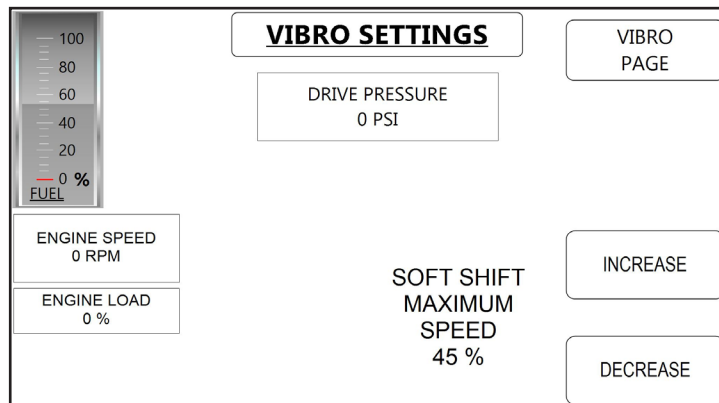


This is the conformation screen. Verify that the correct tool is indicated, and press 'CONFIRM' on that screen to be taken to the page for that specific tool. The machine can only be operated after tool selection has been confirmed.



This is the primary screen for the Vibro tool and shows information most relevant to operating a vibratory hammer. The only active buttons on this page are the 'HOME' key as indicated and the button for navigating to the vibro 'SETTINGS' page.

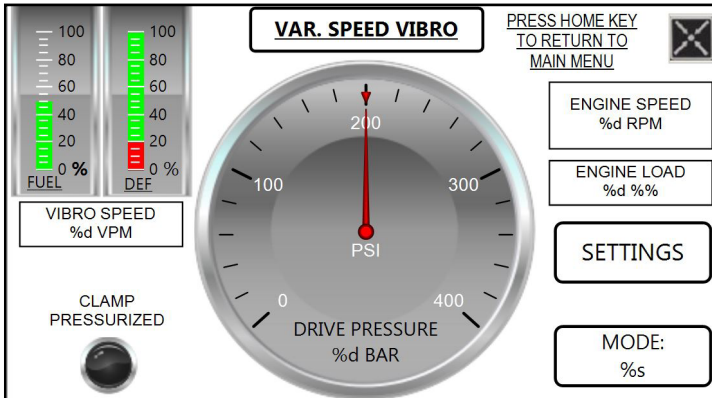
When in 'PANEL' mode the start, drive, and clamp functions are controlled by the keypad on the control panel. When 'PENDANT' mode these functions are controlled by a remote pendant.



This page allows for increasing and decreasing the soft shift ramp up time for the vibratory hammer. Increasing this percentage will make the soft shift valve ramp up more slowly. Decreasing this percentage will make the soft shift valve ramp up more quickly.

The only other button active on this page is the button to return to the main 'VIBRO' page.

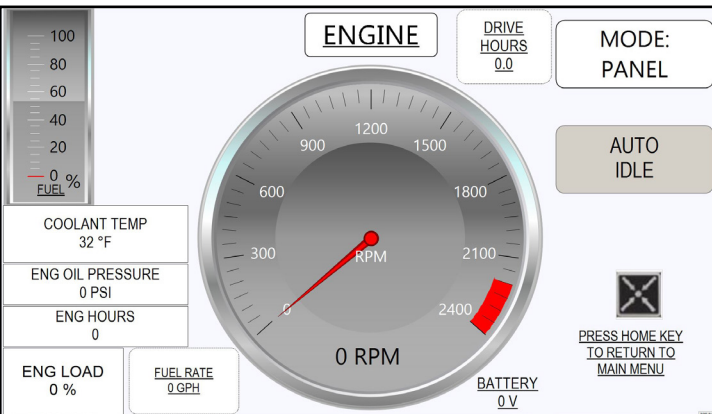
DISPLAY OPERATION



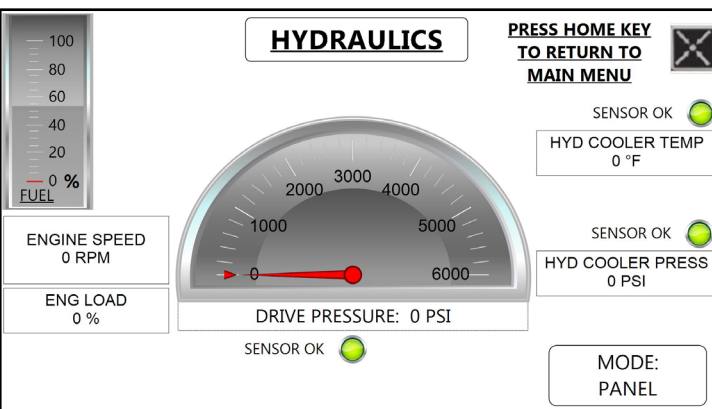
This display will show the 'Settings' page within the variable speed vibro tool page) when in local mode. The machine will start up with the default VPM set to the maximum continuous duty VPM. Pressing the button to increase or decrease VPM will increment or decrement VPM by 50 within the bounds of the minimum VPM and the maximum turbo VPM. When in pendant mode and changing the VPM the current speed (VPM) will be shown on the pendant display. The current speed is also shown on the 'Settings' page within the variable speed vibro tool page.



The main menu screen is used to easily navigate to the other display screens for this system as indicated by the button labels shown in the above image. The 'TOOL' page button will switch the screen to whichever page is for the currently selected tool (among the pages shown previously in this manual).



This page shows relevant engine information and allows an operator to toggle auto-idle on and off with the 'AUTO IDLE' button. The button label will be green when auto-idle is enabled. The auto-idle feature takes control of the engine governor and automatically increases RPM when a valve is being energized. If all valves are de-energized the engine RPM automatically decreases to idle. This allows an operator to ignore governor control and has the potential to save fuel.

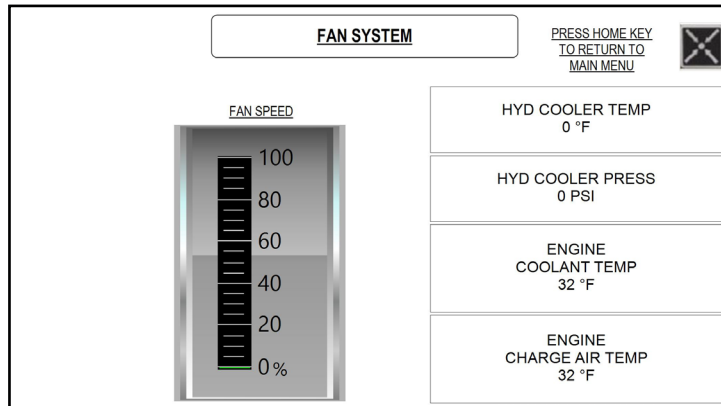


This page shows relevant hydraulic information and has no active buttons besides the indicated 'HOME' key to return to the main menu. The hydraulic cooler temperature and pressure sensors will report on this screen whether the sensor is 'OK' or has a 'FAULT' as well as if the sensor is no present.



DISPLAY OPERATION

This page shows information relevant to the fan cooling system. The fan cooling system is a three-zone system which monitors hydraulic oil temperature, engine coolant temperature, and engine charge air temperature. Each of these temperature parameters has a range within which they will request fan speed between 0% to 100% depending on where that parameter is in the window. The resulting fan speed will be determined by whichever parameter is requesting the highest speed.

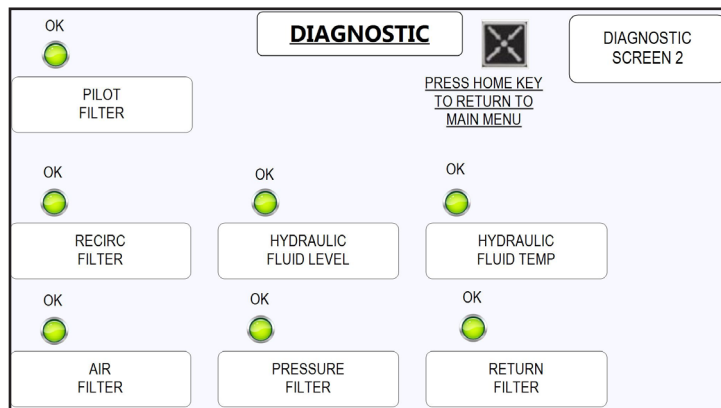


This page indicates the status of the hydraulic system sensors as well as the air filter. Not all systems will have all of the sensors shown here, and when a sensor is not present then it will be grayed out and say <NOT USED> instead of showing the status.

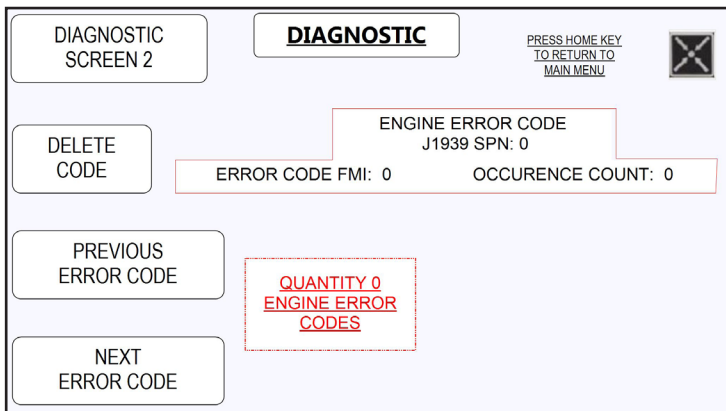
Filters, when clogged, will say 'CLOG' instead of 'OK' and show a red LED instead of green. Hydraulic level sensors may, optionally, include low level warning in addition to the very low level shutdown sensor. Hydraulic fluid temperature sensors may optionally include low temperature warnings and high temperature warnings as well as a very high temperature shutdown sensor. In some systems the very high temperature shutdown is triggered by a switch. In others it is triggered by the temperature transmitter which is part of the optional cooler pressure transmitter.

If one of these sensors trips then a warning screen will be shown with a large flashing red LED, and on that screen the operator must confirm the error after which this 'DIAGNOSTIC' page will be shown. If the screen is on a working page which contains valve controls then the warning screen will wait to pop up until after the operator has left the working page.

The only other buttons active on this page is the button to return to the main menu and the button to navigate to the next 'DIAGNOSTIC' page which contains engine fault icons.

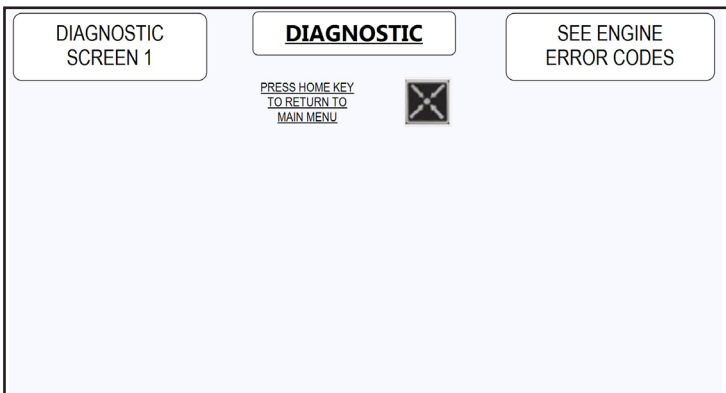


DISPLAY OPERATION



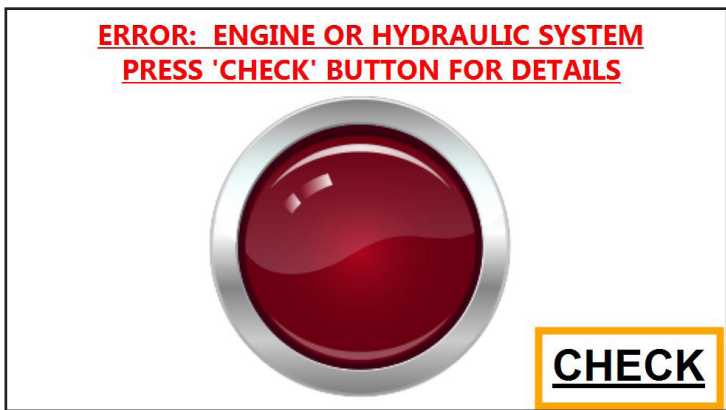
This page shows numeric engine error codes. These are typically standardized J1939 codes, so information on these codes can often be found with a simple internet search. Buttons on the left side of the screen are used to toggle through if there are multiple codes and to delete / clear a code.

Many codes will return after being deleted or after a power cycle if the error condition is still present.



This page includes a readout of different engine errors. When no errors are present no icons will be shown. The lower part of the page will simply be blank. These icons and error names are designated by the engine manufacturer.

Please consult the engine manufacturer’s representative or documentation for troubleshooting any of these errors.



The ERROR screen only appears when there is a trouble code or when one of the sensors fails to send a signal. On the bottom right of the screen the “CHECK” button will take you to the diagnostic screen where the trouble code can be checked and resolved. To return to the main display screen push the “CHECK” button then the “X” button on the diagnostic screen.

MAINTENANCE

Maintenance Chart

DAILY	WEEKLY	250 HOURS OR 6 MONTHS	1500 HOURS OR 1 YEAR	3000 HOURS OR 2 YEARS	6000 HOURS OR 3 YEARS
<ul style="list-style-type: none"> • Check operator's report • Check oil and bring to correct level • Check coolant and bring to correct level • Visually inspect fan • Visually inspect engine for damage, leaks, loose or frayed belts and correct or record for future action • Drain fuel-water separator 	<ul style="list-style-type: none"> • Check air intake system for wear points or damage to piping, loose clamps, and leaks. • Check air cleaner restriction • Check and clean air cleaner element • Drain moisture from tanks 	<ul style="list-style-type: none"> • Change lubricating oil • Change lubricating oil filters • Change fuel filter • Clean crankcase breather • Check engine coolant concentration level • Replace final fuel filter/clean primary fuel filter. Drain water from fuel tank • Inspect/replace alternator fan and accessory drive belts • Inspect/replace hoses and clamps • Lubricate fan drive bearings • Clean/check battery electrolyte level • Inspect and clean radiator 	<ul style="list-style-type: none"> • Adjust valves and injectors • Steam clean engine • Check torque on turbocharger mounting nuts • Check torque on engine mounting bolts • Replace hoses as required • Clean engine crankcase breather • Check/adjust engine valve lash • Check/adjust low idle speed • Test/exchange fuel injection nozzles • Inspect/rebuild alternator • Replace Return filters 	<ul style="list-style-type: none"> • Clean cooling system and change coolant and antifreeze • Inspect Temperature regulator • Inspect/rebuild turbocharger • Inspect/rebuild starter 	<ul style="list-style-type: none"> • Clean and calibrate the following: <ul style="list-style-type: none"> • -Injectors • -Fuel pump • -Fan Clutch • -Water pump • -Fan Hub • -Fan idler pulley assembly • -Vibration dampener

Follow the manufacturer's recommended maintenance procedures for the starter, alternator, batteries, electrical components, and fan clutch.

At each scheduled maintenance interval preform all previous checks which are due for scheduled maintenance.

MAINTENANCE



MAINTENANCE

Engine Oil

Change engine oil every 250 hours or 6 months, whichever occurs first. Oil should be replaced with Caterpillar 15W-40 or equivalent oil.

Hydraulic Oil

When adding or changing hydraulic fluid, APE uses only Biodegradable Envirologic 146 hydraulic fluid, which is not-toxic and will not harm soil or water, and is biodegradable. Consult your local oil supplier for recommendations on mixing hydraulic oils. Change hydraulic oil if it looks milky; this is an indication that water or other contamination may have occurred.

NOTE: Current Hydraulic Oil Type:

Envirologic Hydraulic 146

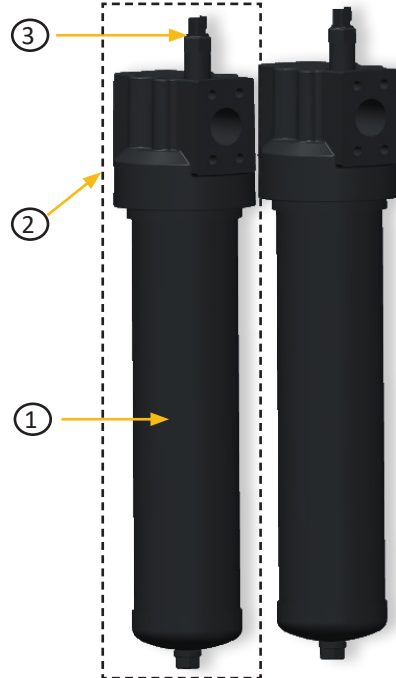
Air Cleaner Replacement

Check and clean the air cleaner weekly. If the air cleaner needs to be replaced, use Caterpillar part.

Return Filter Elements

Change all filters if equipped, when clog indicator is triggered or 1 years, whichever occurs first. To change the return filter element follow the steps below:

1. Shut down power unit.
2. Place warning tag on control panel so that the power unit is not started while filters are being replaced.
3. Disconnect negative battery cable.
4. Clean area around filters so that when they are removed there is no chance of introducing dirt into the hydraulic system.
5. Using a 1-1/4 wrench or socket, turn the filter counter-clockwise and spin the filter element off the filter housing.
6. Install new clean filter making sure the spring and o-ring are in the proper place.



CALLOUT	APE P/N	DESCRIPTION	PART NUMBER
1	100586	25 MICRON FILTER ELEMENT	KKZ25
2	1000892	RETURN LINE FILTER ASSEMBLY	KL31KKZ25F2450D8LDRG2171
3	1008476	INDICATOR MS19	MS19NC-50

MAINTENANCE



Preventative maintenance includes normal servicing that will keep the power unit in peak operative condition and prevent unnecessary trouble from developing. This servicing consists of periodic lubrication and inspection of moving parts and accessories of the unit.

Lubrication is an essential part of preventative maintenance controlling, to a great extent, the useful life of the unit. Different lubricants are needed and some components in the unit require more frequent lubrication than others. Therefore, it is important that the instructions regarding types of lubricants and frequency of their application be closely followed.

To prevent minor irregularities from developing into serious conditions that might involve shutdown and major repair, several other services or inspections are recommended for the same intervals as the periodic lubrications. The purpose of these services or inspections is to assure the uninterrupted operation of the unit.

- Thoroughly clean all lubrication fittings, caps, filler and level plugs along with their surrounding surfaces before servicing
- Prevent dirt from entering in with lubricants and coolants

The intervals given in the schedule are based upon normal operation.

Perform these services, inspections, etc., more often as needed for operation under abnormal or severe conditions.

Storage

During short-term storage of a power unit, the following should be taken into consideration:

- Cover any pressure openings and open threaded holes with suitable caps
- Protect the unpainted surfaces from dirt and moisture
- The power unit should not be stored in an area with substances that have an aggressive corrosive nature; i.e., Solvents, acids, alkalies and/or salts

For long-term storage (over 9 months), the following additional actions are recommended:

- Damages to surface paint must be repaired before item is stored
- Protect the unpainted surfaces with suitable anti-corrosion treatment such as CRC SP-350, Corrosion X, corrosion inhibitor, or WD-40 Long Term Corrosion Inhibitor
- Fill the power unit completely with hydraulic fluid



If these instructions are followed to the letter, the power unit may be stored for approximately 2-Years. However, as storage conditions do have a significant effect, all suggested time frames should be considered as guide values only.

TROUBLESHOOTING

Understanding the Hydraulic System



***It is imperative that the hydraulic fluid is kept clean to a minimum ISO Code 17/15/11
New hydraulic fluid is NOT clean oil***

See attached document “Understanding ISO Codes” under the Reference / Notes Section

See Warranty document regarding fluid cleanliness at the beginning of this manual

Bulk oil does not typically meet the cleanliness standards required by APE equipment.

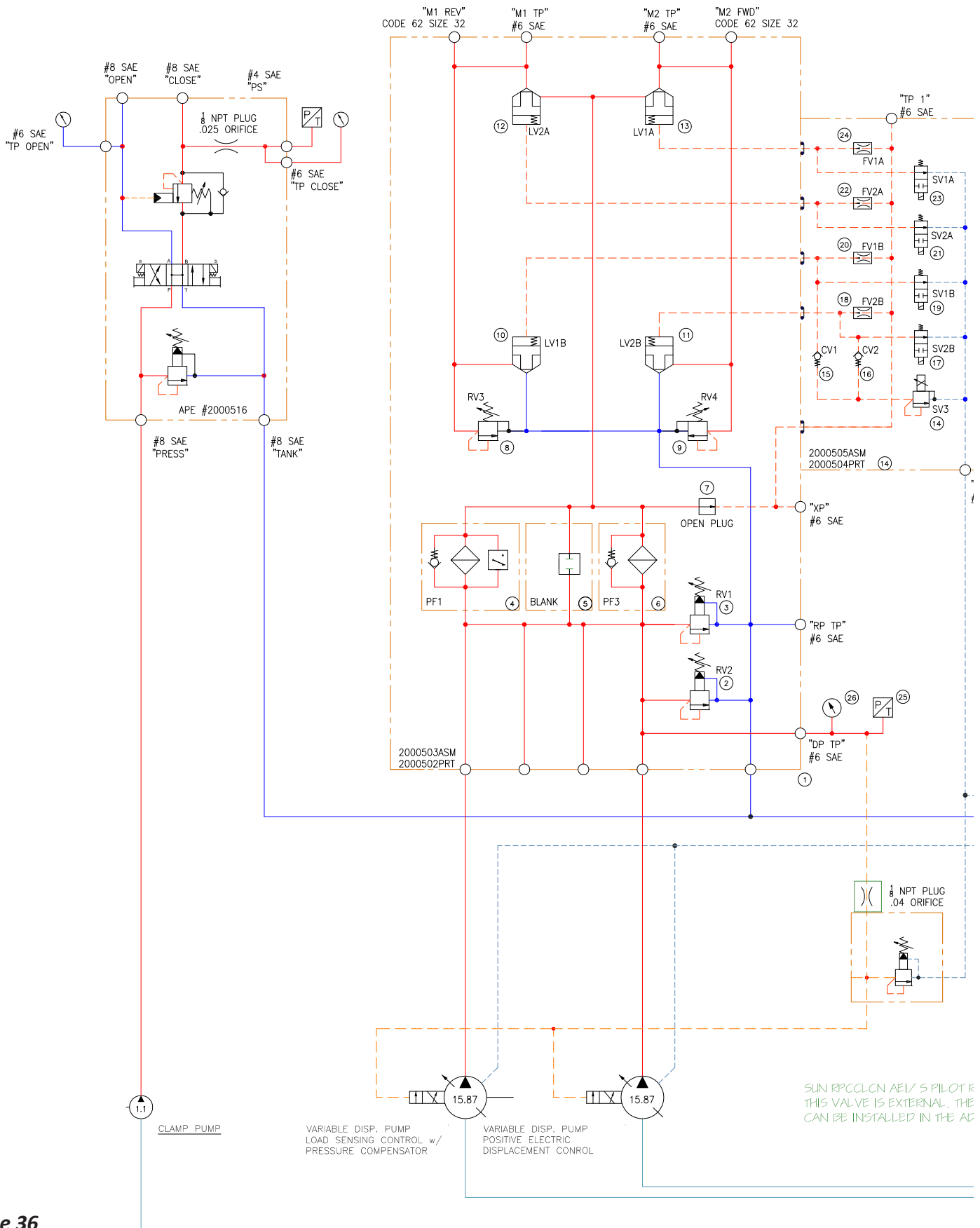
For Power Units Powering Helical Drills

- Pressure filters: Clean the hydraulic fluid going to the drill motor and manifold in the forward and reverse directions.
- M1/M2 DRIVE
- LS LOAD SENSE
- 10/11: RDFA-LCN is a direct acting relief valve that is used to protect hydraulic components from pressure variants.
- 8/16/5/19 COILS
- T1 / PD: Both of these ports return to tank.

Electrical System

The electrical system is a normally closed circuit, and runs a self diagnostic test when the panel is powered on. If there is a fault in the electrical system an error screen will appear on the control panel display.

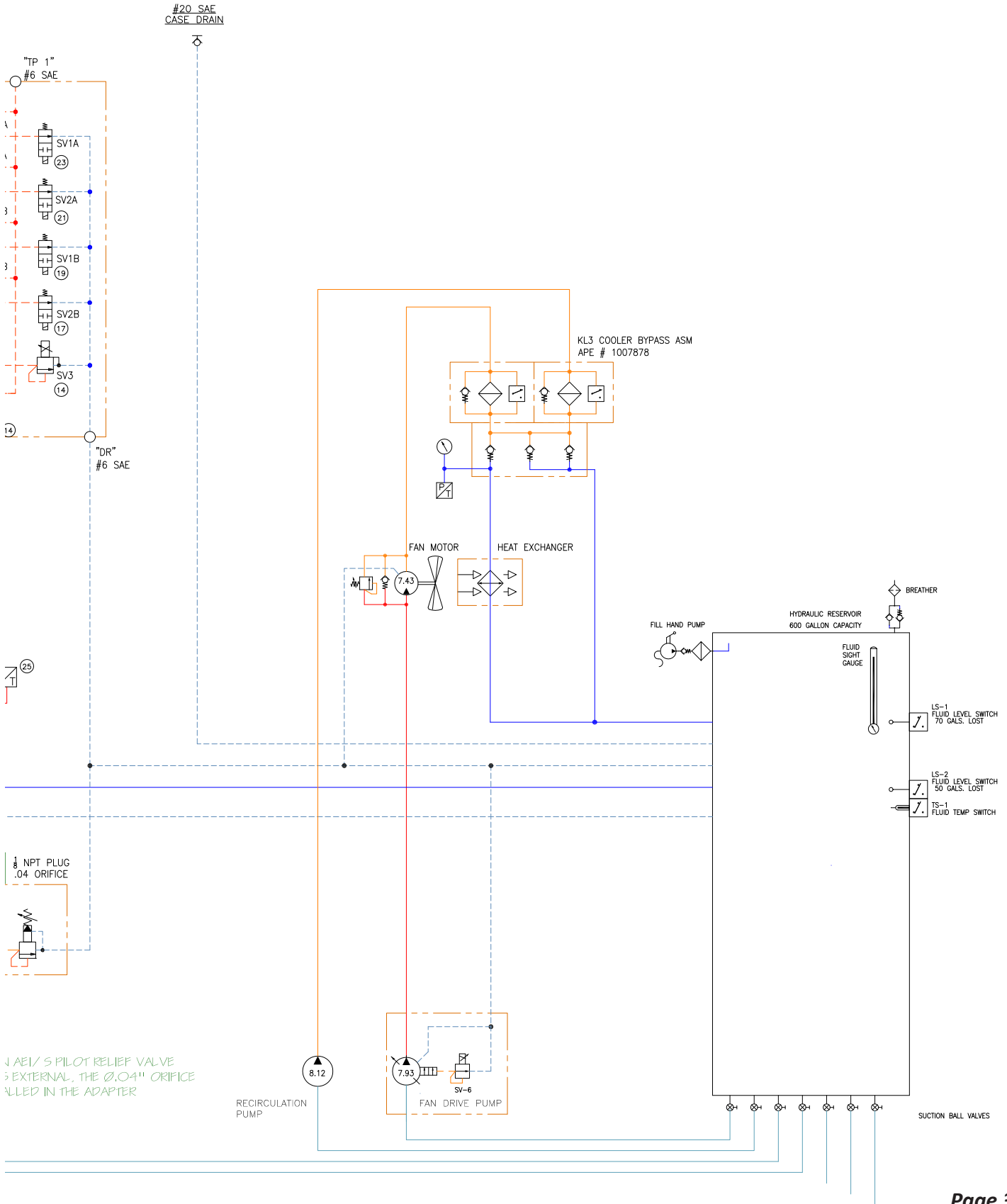
HYDRAULIC SCHEMATIC



TROUBLE SHOOTING



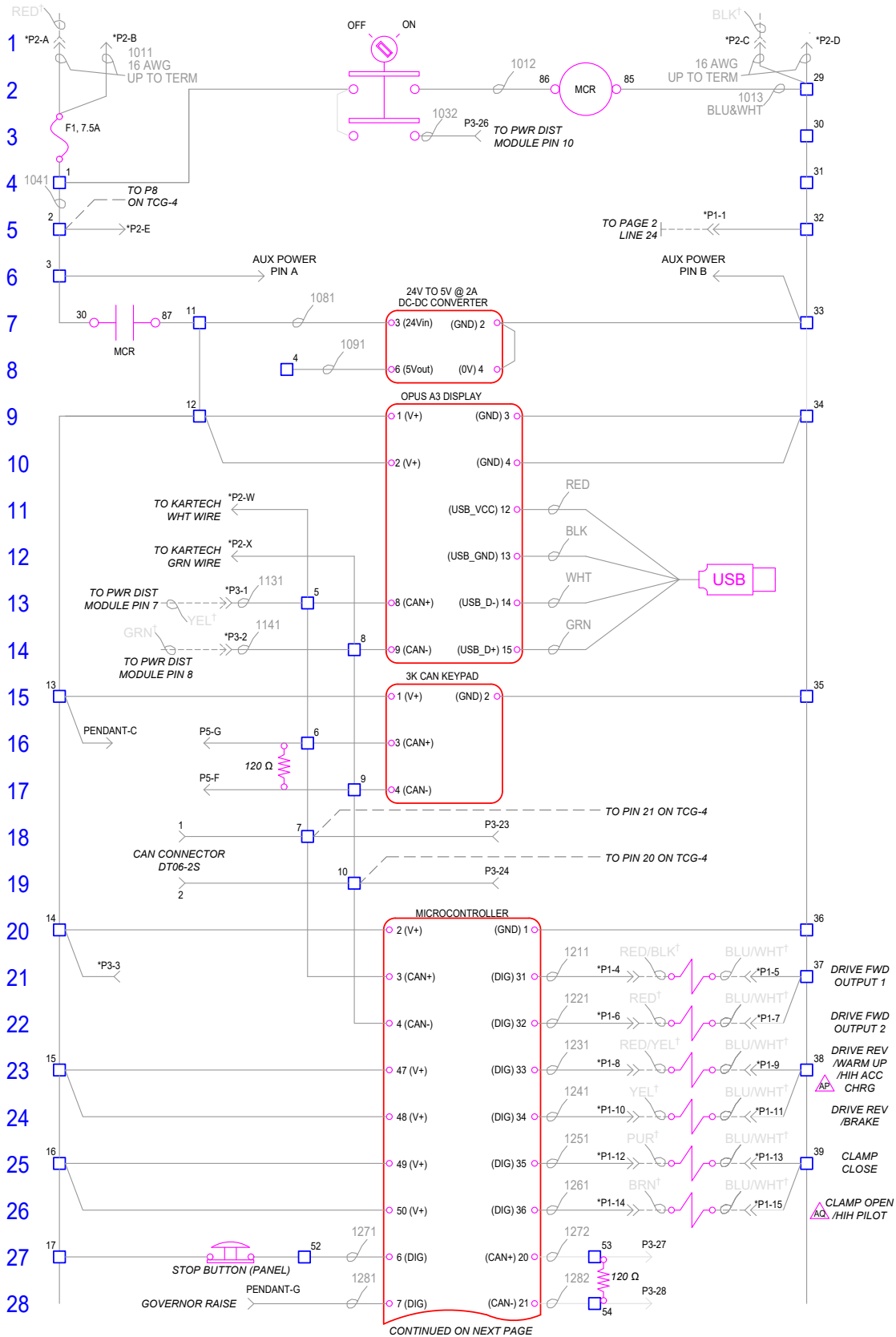
HYDRAULIC SCHEMATIC



TROUBLE SHOOTING



ELECTRICAL SCHEMATIC

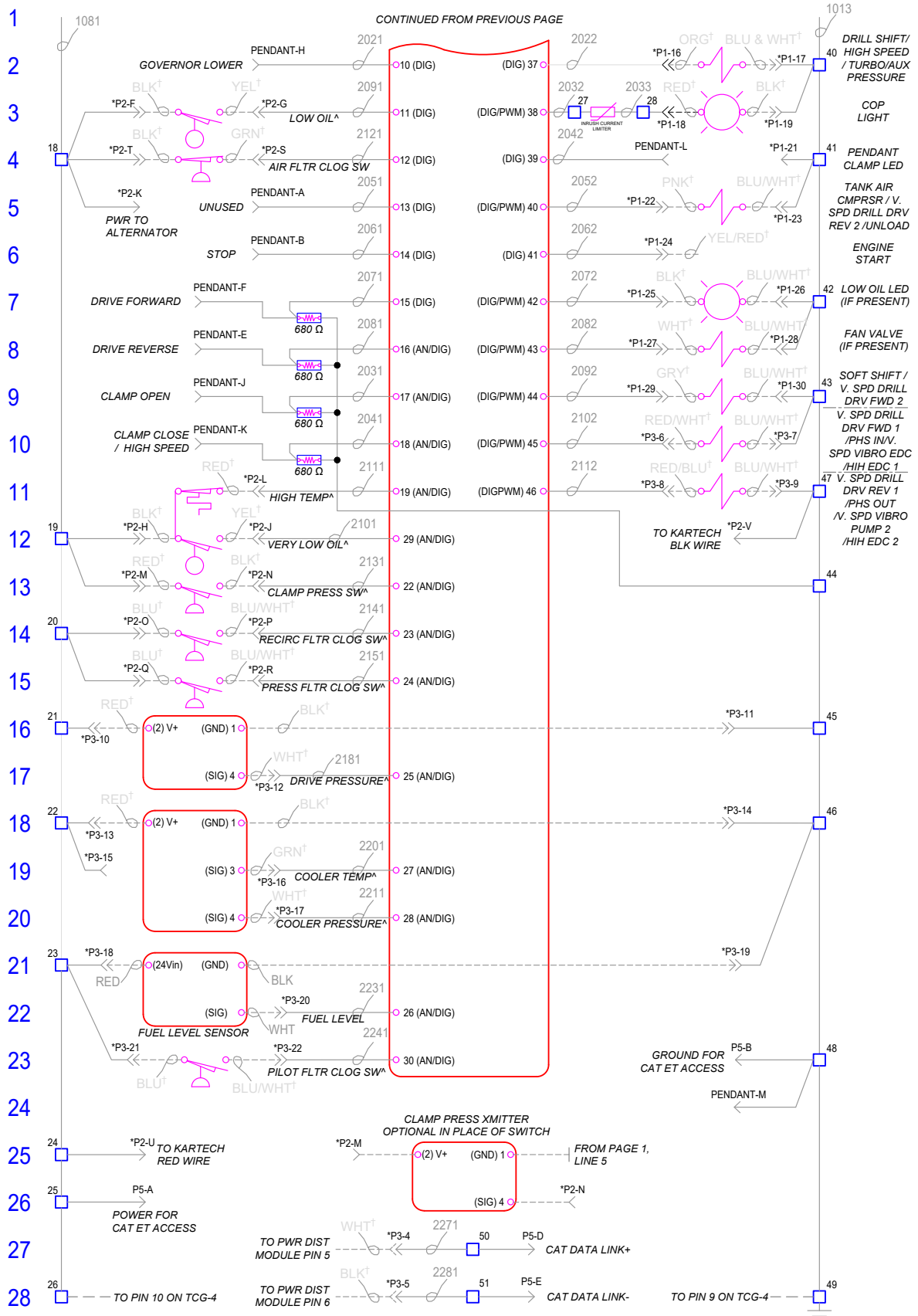


CONTINUED ON NEXT PAGE

TROUBLE SHOOTING



ELECTRICAL SCHEMATIC

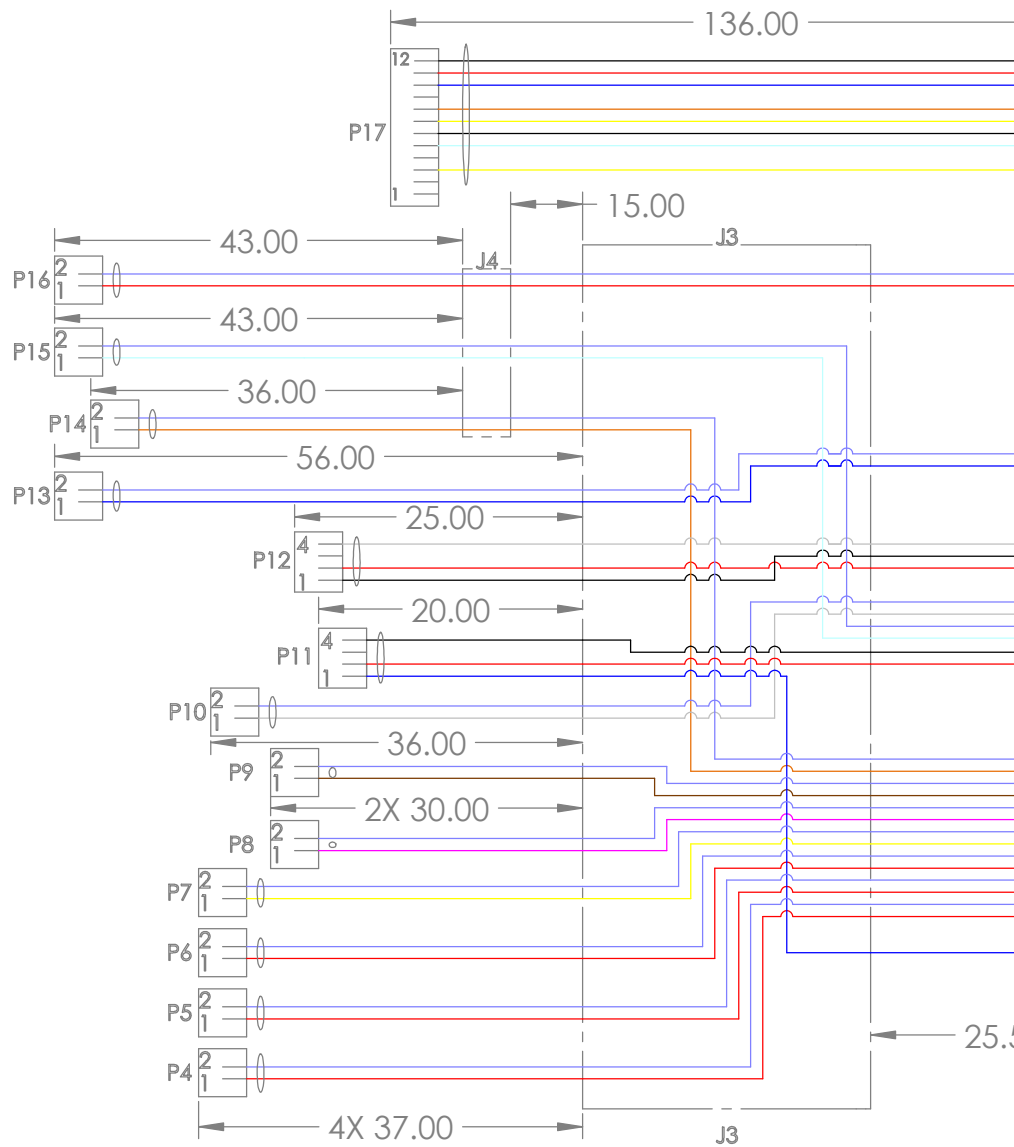
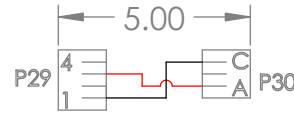
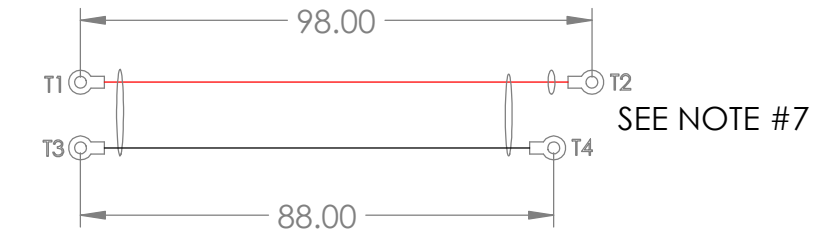


TROUBLE SHOOTING



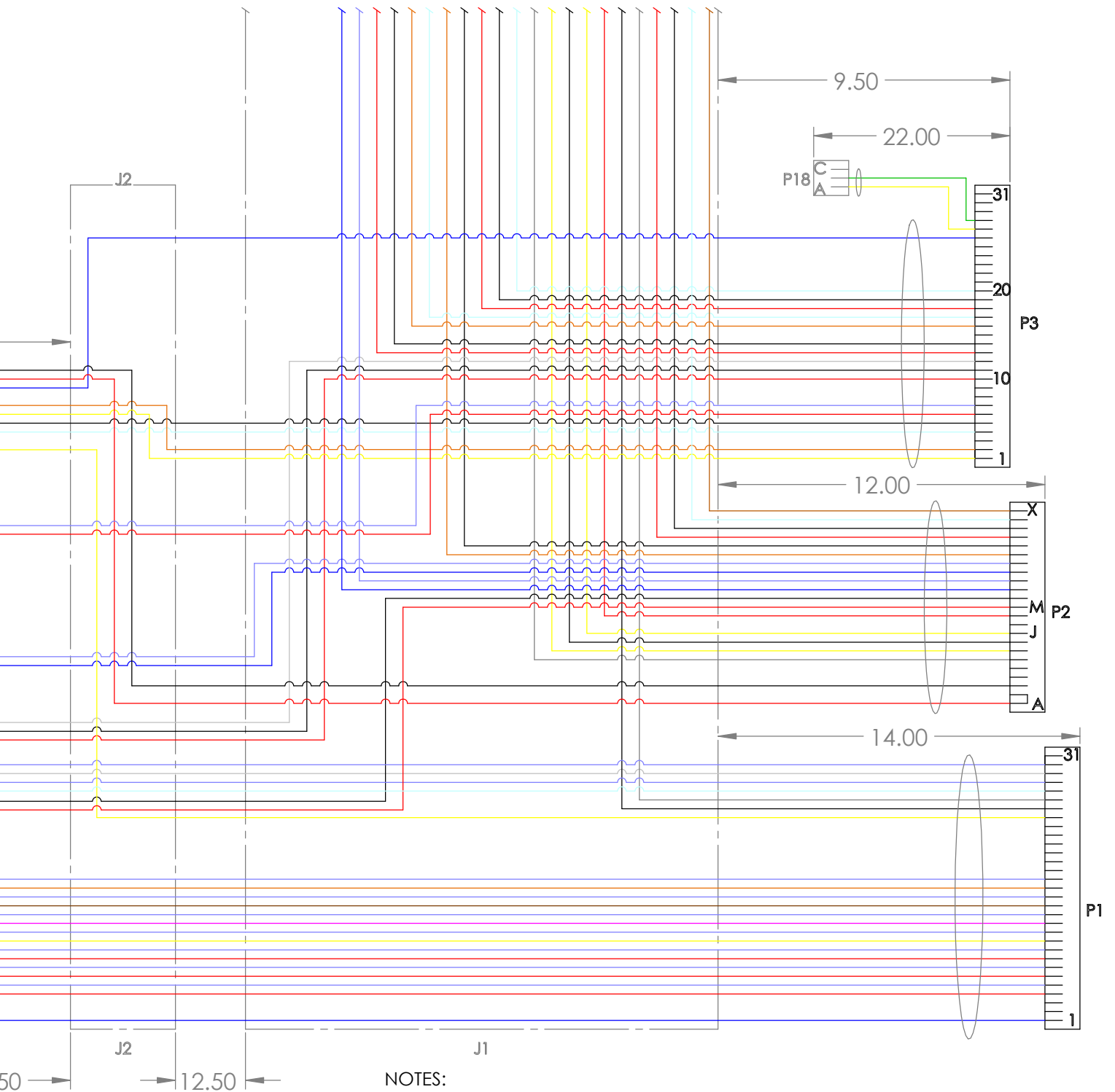
C27-C32 WIRING HARNESS SCHEMATIC

CONNECTOR	LABEL
P1	P1
P2	P2
P3	P3
P4	FWD 1
P5	FWD 2
P6	REV / WARM UP
P7	REV 2 / BRAKE
P8	CLAMP CLOSE
P9	CLAMP OPEN
P10	SOFT SHIFT
P11	CLAMP PRESS
P12	DRV PRESS
P13	PRESS FILTER
P14	TURBO
P15	FAN PUMP
P16	PUMP EDC
P17	PDM
P18	CAN
P19	KARTECH
P20	OIL LIGHT
P21	OIL LEVEL
P22	LOW OIL
P23	FUEL LEVEL
P24	AIR CLOG 1
P25	AIR CLOG 2
P26	COOLER
P27	RECIRC FILTER
P28	RECIRC FILTER
P29	CLAMP PRESS
P30	CLAMP SWITCH



TROUBLE SHOOTING

C27-C32 WIRING HARNESS SCHEMATIC



NOTES:

1. WIRE :: TXL CROSS-LINK PRIMARY WIRE
2. LOOM :: BRAIDED SPLIT LOOM
3. ALL DIMENSIONS ARE TO CENTER OF JUNCTIONS.
4. ALL ENDS OF LOOM AND JUCTIONS TO BE COVERED WITH HEAT SHRINK.
5. ALL LOOMS TO BE LABELED NEAR CONNECTORS.
6. WHEN COMPLETE P29 SHOULD BE CONNECTED TO P11.
7. ADD BUT DO NOT SHRINK HEAT SHRINK ON POWER CABLES.

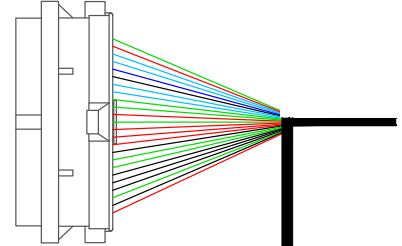
TROUBLE SHOOTING



POWER DISTRIBUTION MODULE ELECTRICAL SCHEMATIC

70 SOCKET CONNECTOR		
#	DESCRIPTION	TERMINATION/CONNECTION POINT
3	ANALOG SENSOR RETURN	TO ANALOG SENSOR RETURN SPLICE
4	DIGITAL SENSOR POWER (+8V)	TO 3 SOCKET (COOLANT LEVEL SENSOR) - A
8	CAT DATA LINK (+)	TO CAT DATA LINK SPLICE
9	CAT DATA LINK (-)	TO CAT DATA LINK SPLICE
12	AUTO ETHER AID	TO 2 SOCKET (AUTO ETHER) - #1
17	AIR TEMP	TO 2 POSITION TYCO (AIR TEMP) - #1
18	SWITCH INPUT RETURN	TO 12 SOCKET 'C' CONNECTOR - #6
27	BATTERY (-) - GROUND	TO GROUND BATTERY CABLE SPLICE
32	BATTERY (-) - GROUND	TO GROUND BATTERY CABLE SPLICE
36	BATTERY (-) - GROUND	TO GROUND BATTERY CABLE SPLICE
42	J1939 DATA LINK SHIELD	TO J1939 SPLICE
50	J1939 DATA LINK (+)	TO J1939 SPLICE
34	J1939 DATA LINK (-)	TO J1939 SPLICE
44	REMOTE SHUTDOWN SWITCH	TO 12 SOCKET 'D' CONNECTOR - #5
46	SWITCH INPUT RETURN	TO 2 SOCKET (HIGH IDLE OVERRIDE) - #2
48	BATTERY (+) - CONSTANT VOLTAGE	TO 12 SOCKET 'C' CONNECTOR - #1
49	COOLANT LEVEL SENSOR	TO 3 SOCKET (COOLANT LEVEL SENSOR) - C
52	BATTERY (+) - CONSTANT VOLTAGE	TO 12 SOCKET 'C' CONNECTOR - #2
53	BATTERY (+) - CONSTANT VOLTAGE	TO 12 SOCKET 'C' CONNECTOR - #2
55	BATTERY (+) - CONSTANT VOLTAGE	TO 12 SOCKET 'C' CONNECTOR - #3
61	BATTERY (-) - GROUND	TO GROUND BATTERY CABLE SPLICE
63	BATTERY (-) - GROUND	TO GROUND BATTERY CABLE SPLICE
65	BATTERY (-) - GROUND	TO GROUND BATTERY CABLE SPLICE
69	BATTERY (-) - GROUND	TO GROUND BATTERY CABLE SPLICE
70	SWITCHED VOLTAGE	TO 12 SOCKET 'B' CONNECTOR - #1
	SWITCHED VOLTAGE	TO DATA LINK 9 PIN - A

70 SOCKET
ECM



2 SOCKET CONNECTOR - HIGH IDLE OVERRIDE		
#	DESCRIPTION	TERMINATION/CONNECTION POINT
1	SWITCH INPUT RETURN	TO 12 SOCKET 'C' CONNECTOR - #6
2	SWITCH INPUT RETURN	TO 70 SOCKET - #46
PIN	SWITCH INPUT RETURN	PIN JUMPER - POSITION #1 TO POSITION #2

HIGH IDLE
OVERRIDE

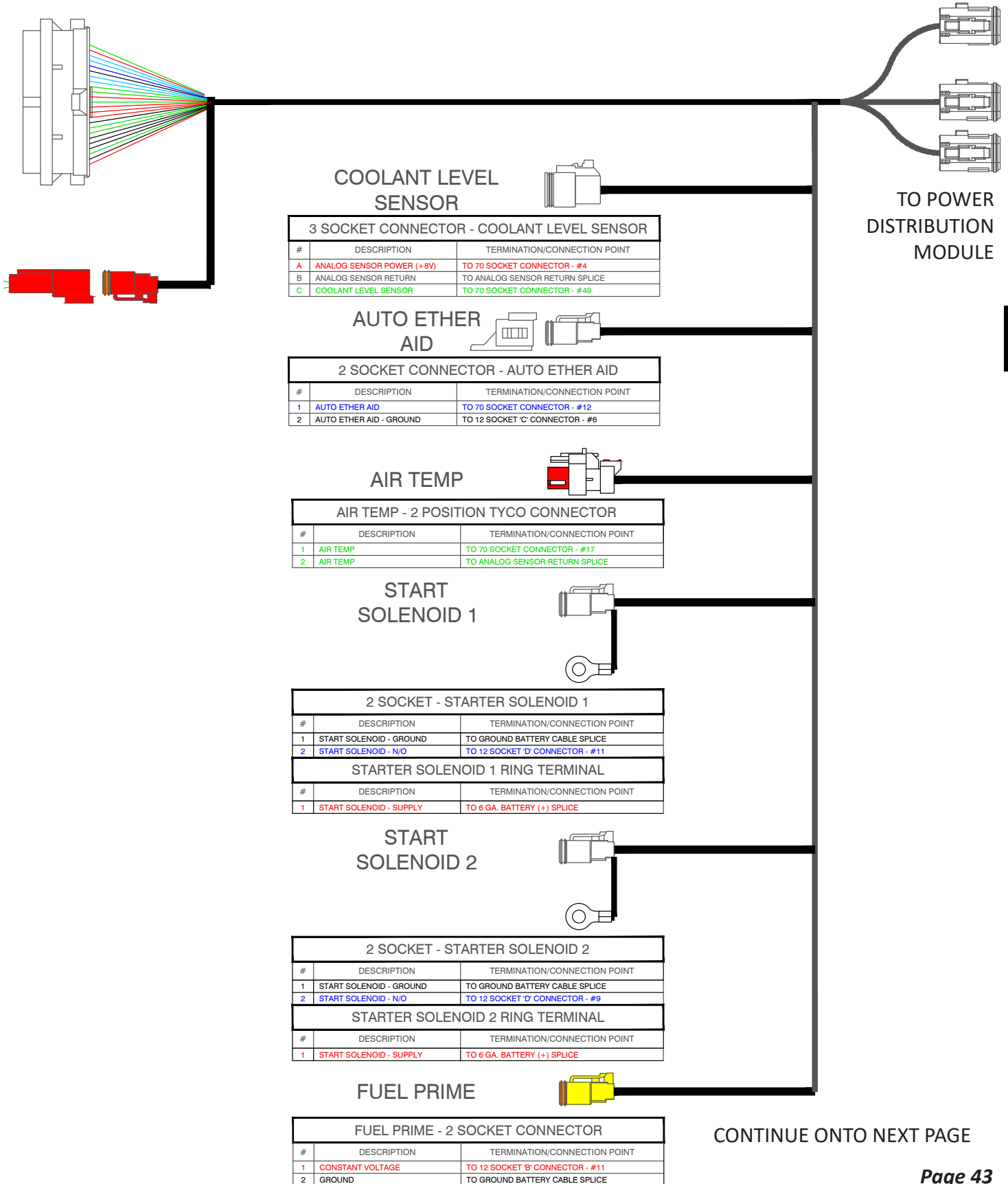


COLOR KEY	
RED	POSITIVE
BLACK	GROUND
GREEN	INPUT
BLUE	OUTPUT
LT. BLUE	CAN-BUS/J-1939

ALL GROUND MUST GO TO BATTERY GROUND
ALL POSITIVES MUST GO TO BATTERY POSITIVE

TROUBLE SHOOTING

POWER DISTRIBUTION MODULE ELECTRICAL SCHEMATIC



TROUBLE SHOOTING

CONTINUE ONTO NEXT PAGE



POWER DISTRIBUTION MODULE ELECTRICAL SCHEMATIC

COLOR KEY	
RED	POSITIVE
BLACK	GROUND
GREEN	INPUT
BLUE	OUTPUT
LT. BLUE	CAN-BUS/J-1939

12 SOCKET - CUSTOMER CONNECTOR	
#	DESCRIPTION
1	REMOTE ENGINE SHUTDOWN
2	SW. COMMON FROM ECM
3	START SOLENOID
4	EXTERNAL ALARM RELAY OUTPUT
5	CAT DATA LINK HIGH
6	CAT DATA LINK LOW
7	J1939 CAN HIGH
8	J1939 CAN LOW
9	CAN SHIELD
10	KEYSWITCH INPUT
11	CONSTANT VOLTAGE SUPPLY
12	GROUND

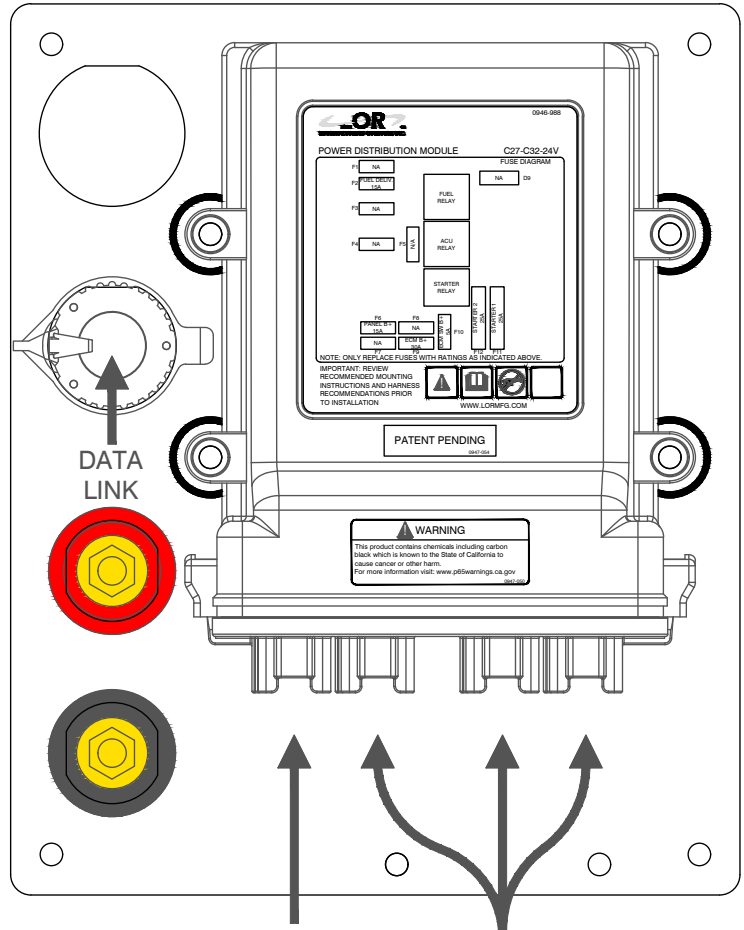
ALL GROUND MUST GO TO BATTERY GROUND
ALL POSITIVES MUST GO TO BATTERY POSITIVE
C27-C32 24V POWER DISTRIBUTION MODULE

12 SOCKET 'C' KEY CONNECTOR (GREEN) - POWER		
#	DESCRIPTION	TERMINATION/CONNECTION POINT
1	CONSTANT VOLTAGE	TO 70 SOCKET CONNECTOR - #48
2	CONSTANT VOLTAGE	TO 70 SOCKET CONNECTOR - #52
3	CONSTANT VOLTAGE	TO 70 SOCKET CONNECTOR - #53
4	CONSTANT VOLTAGE	TO 70 SOCKET CONNECTOR - #55
6	SWITCH INPUT RETURN	TO 70 SOCKET CONNECTOR - #18
7	SWITCH INPUT RETURN	TO 2 SOCKET (HIGH IDLE OVERRIDE) - #1
8	AUTO ETHER AID INPUT RETURN	TO 2 SOCKET AUTO ETHER AID - #2
8	BATTERY (-)	TO GROUND BATTERY CABLE SPLICE
9	BATTERY (+)	TO 6 GA. BATTERY (+) SPLICE
10	BATTERY (+)	TO 6 GA. BATTERY (+) SPLICE
11	BATTERY (+)	TO 6 GA. BATTERY (+) SPLICE
12	BATTERY (+)	TO 6 GA. BATTERY (+) SPLICE

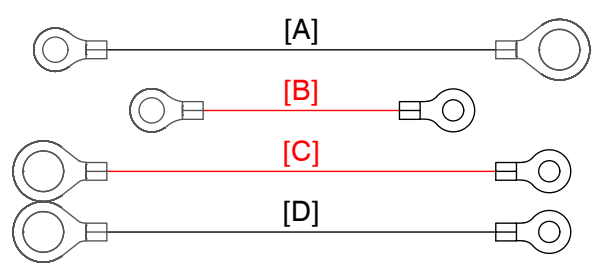
12 SOCKET 'D' KEY CONNECTOR (BROWN) - ENGINE		
#	DESCRIPTION	TERMINATION/CONNECTION POINT
5	REMOTE SHUTDOWN SWITCH	TO 70 SOCKET CONNECTOR - #44
6	CAN LOW	TO J1939 SPLICE - GREEN
7	CAN HIGH	TO J1939 SPLICE - YELLOW
8	J1939 SHIELD	TO J1939 SPLICE - SHIELD
9	START SOLENOID - N/O	TO START SOLENOID 2 2 SOCKET - #2
11	START SOLENOID - N/O	TO START SOLENOID 1 2 SOCKET - #2

12 SOCKET 'B' KEY CONNECTOR (BLACK) - ENGINE		
#	DESCRIPTION	TERMINATION/CONNECTION POINT
1	IGNITION SWITCHED BATTERY INPUT	TO 70 SOCKET CONNECTOR - #70
5	CAT DATA LINK (+)	TO CAT DATA LINK SPLICE
6	CAT DATA LINK (-)	TO CAT DATA LINK SPLICE
11	CONSTANT VOLTAGE	TO FUEL PRIME CONNECTOR - #1

DATA LINK CONNECTOR - 9 PIN		
#	DESCRIPTION	TERMINATION/CONNECTION POINT
A	SWITCHED VOLTAGE	TO 70 SOCKET CONNECTOR - #70
B	GROUND	TO GROUND BATTERY CABLE SPLICE
C	J1939 SHIELD	TO J1939 SPLICE - SHIELD
G	J1939 (+)	TO J1939 SPLICE - YELLOW
F	J1939 (-)	TO J1939 SPLICE - GREEN
D	CAT DATA LINK (+)	TO CAT DATA LINK SPLICE
E	CAT DATA LINK (-)	TO CAT DATA LINK SPLICE



#	WIRE	GAUGE	DESCRIPTION	TOTAL LENGTH
[A]	BLACK	AWG-1/0	BLOCK GROUND CIRCUIT	15 IN.
[B]	RED	4 GA.	ALT POS CABLE - 5/16" TO 1/4" RING	16 IN.
[C]	RED	4 GA.	ALT POS CABLE - 1/2" TO 1/4" RING	52 IN.
[D]	BLACK	4 GA.	ALT CABLE - 1/2" TO 1/4" RING	52 IN.



TROUBLE SHOOTING



PROGRAMMING

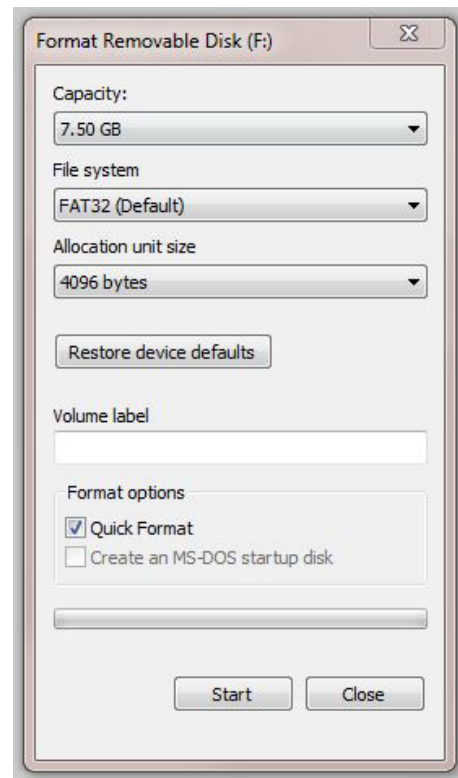
Setting up the Program

Prior to any program updates you will need:

1. A blank flash drive
2. A laptop with Plus + One Service guide software installed
[Http://www2.powersolutions.danfoss.com/l/38972/2016-05-30/525qvt](http://www2.powersolutions.danfoss.com/l/38972/2016-05-30/525qvt)
3. CAN to USB adapter P/N 1001190

To update the program you must first download and format the flash drive as follows:

1. Insert blank USB into your laptop.
 - a. Format USB by going to:
 - b. My computer
 - c. Right click on flash drive
 - d. Click on format and format as shown in the figure to the right.
2. Download all files from link provided
3. Extract all downloaded files onto USB drive.
4. All files in the folder labeled "**Display Program**" must be moved out of the folder or the update will not work.
5. On the bottom right of the screen eject USB to prevent any file corruption.



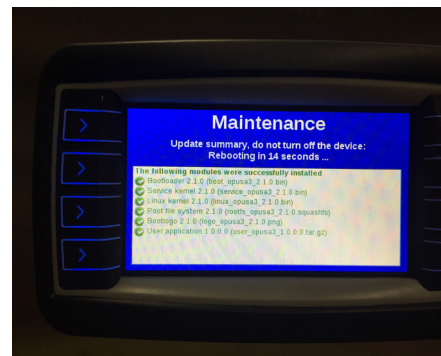
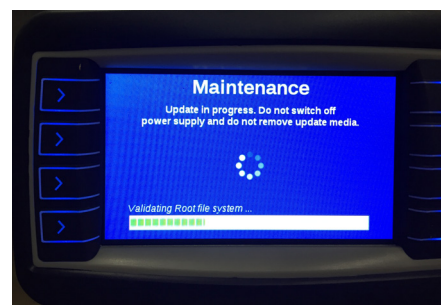
PROGRAMMING

Updating the Display

To load the program onto the display from the USB drive follow steps below:

1. Make sure main power on the panel is turned off.
2. Open panel and plug-in USB drive into plug on the inside of the panel cover.
3. Hold down the top left two buttons on the display and turn on the main power. Continue to hold the two buttons down until the blue maintenance screen pops up on the display.
4. The display will auto update and count down from 15 and auto restart.
5. Wait 60 seconds then turn off main power and remove the USB drive.
6. Close the panel. Power-on to verify the update was successfully installed.

PRESS
HERE



TROUBLE SHOOTING



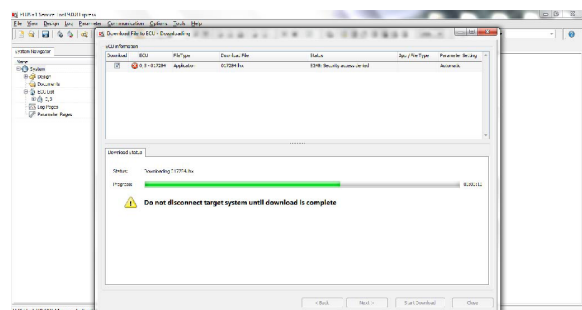
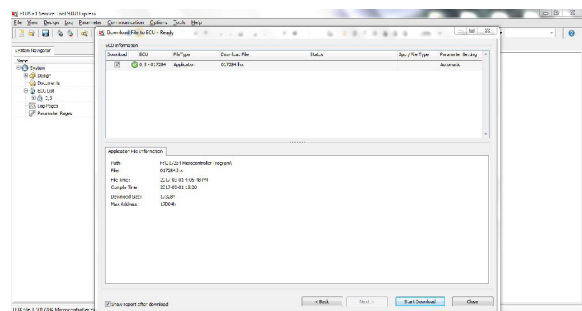
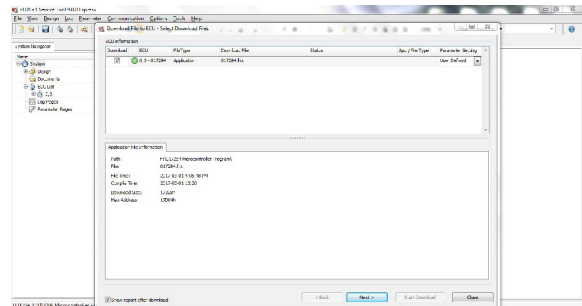
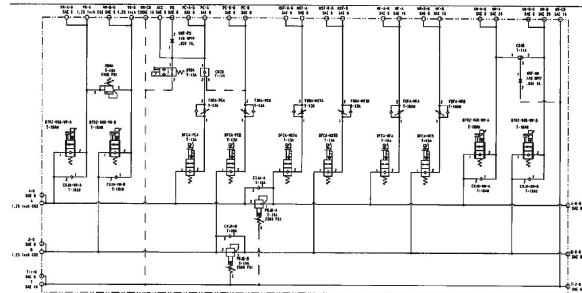
PROGRAMMING

Updating the Panel

To update the power unit program follow the steps below:

1. Make sure main power on the panel is turned off.
2. Open the panel.
3. Plug in USB to CAN adapter to 2 wire CAN Plug on the inside of the panel.
 - Verify the CAN plug is wired properly. Wire #1131 is CAN high and should be in spot #1 in the plug. Wire #1141 is CAN low and should be in spot #2 in the plug.
4. Turn on main panel power and verify the PWR and CAN lights are both lit on the Danfoss adapter.
 - If no connection is recognized verify, that the Plus-One service tool is online by going to communications and selecting online mode.
 - If online mode is on, verify you have the proper adapter model recognized by going to communications, gateway, and CG150-2.
5. Locate the file on the USB drive under the folder labeled Micro-controller Program and open the folder.
6. Double click on the file .
7. Follow the prompts and start the download.
8. Once download is complete close the Plus + One service tool.
9. Wait 60 seconds. Turn main panel power off and disconnect the USB to CAN adapter.
10. Power-on the main panel power and verify program is successfully installed.

Danfoss adapter P/N: 1001190



TROUBLESHOOTING

Variable Speed Calibration

Calibration is done by APE personnel and requires no adjustment in the field by the user.

- Three VPM settings are set using the Danfoss Service Tool: the minimum VPM possible for the machine, the maximum continuous duty VPM, and the maximum allowable (turbo) VPM. The Service Tool parameter name for the minimum VPM is 'Min_VPM'. The parameter name for the maximum continuous duty VPM is 'Max_ContDuty_VPM'. The parameter name for the highest allowable VPM for the machine is 'Max_Turbo_VPM'. Each of these values must be set based on input from APE engineering as determined by the power unit's hydraulic specifications.
- The VPM is controlled by a current signal to a pump electronic displacement controller (EDC). In order to determine the signal corresponding with the desired VPM two current values are needed for calibration: the current corresponding to the minimum VPM and to the maximum turbo VPM.
- These two parameters are named 'VPM_EDC_Imin' for the setting corresponding to the minimum VPM and 'VPM_EDC_Imax_Turbo' for the setting corresponding to the maximum turbo VPM, and both of these values are in units of milliamps. These two current values are selected based on the corresponding flow required to produce the minimum and maximum turbo VPM and should be verified through testing.

Please call 1-800-248-8498 to have an A.P.E Certified Technician to CALIBRATE.



REPLACEMENT PARTS

Common Replacement Parts

LOCATION	ENGINE	PART NUMBER	APE PART NUMBER	QUANTITY
Engine Oil Filter Element	C27	1R-1808	521033	2
Fuel Filter/Water Separator	C27	423-8524	300693	1
Engine Fuel Filter	C27	422-7587	1000260	2
Inner Air Filter Element	C27	6I-2510	555137	2
Outer Air Filter Element	C27	6I-2509	521025B	2
Bypass Filter Element	C27	KKZ10	1001514	2
Return Filter Element	C27	KKZ25	100586	1
Hand pump Fill Filter Element	C27	AE-25	521041	1

LOCATION	ENGINE	OIL TYPE	APE PART NUMBER	CAPACITY
Engine Oil	C27	Caterpillar DELO 15W-40	513001-15W40-D400-1	112 qt (106L)
Engine Coolant	C27	Caterpillar DEAC Antifreeze	513001-ANTI-A DEAC-1	Contact APE Service
Fuel	C27	Diesel Fuel	100725B	200 gal (757L)
Hydraulic Oil	C27	Envirologic 146	513001	685 gal (2,593L)
Pump Drive	C27	Schaeffer 268 SAE 140	513001S-SCH268	6 qt (5.7L)

DESCRIPTION	PART NUMBER	APE PART NUMBER	QUANTITY
Fuel Level Sensor	W392675	1006733	1
Hydraulic Level Sensor	B40040AFD2C758/6	1006759	2
Drive Pressure Transducer	3202H60CPS1P8R00	1005409	1
Cooler Bypass Transducer	3202H500PG1P8R00	1005295	1
Schroeder Indicator Sending Unit	MS19SSNC-75	1006992	1

DESCRIPTION	ENGINE	PART NUMBER	APE PART NUMBER
Battery	C27	GROUP SIZE 4D	541009
Fan Belt	C27	9L-6649	Contact APE Service
Alternator Belt	C27	4L-4648	Contact APE Service
Hydraulic Sight Gauge 30"	C27	L/D G607-30-A-1-4 30"	513005
Hydraulic Sight Gauge 6"	C27	G607-06-A-1-4-513003	513003
Fuel Level Gauge	C27	8680-01028	513050
HPS Control Panel	C27	018898	1006425
Power Distribution Module	C27	NC-160603-01	Contact APE Service
Air Vacuum Switch W/ Deutsch Plug	C27	PS81-10-2MNB-C-FLS12-DE	531011
Hydraulic Tank Breather / Donaldson	C27	P563372	Contact APE Service
Hydraulic Tank Breather / Hydac	C27	BFP30U3W1.0/RV0.4	1003556

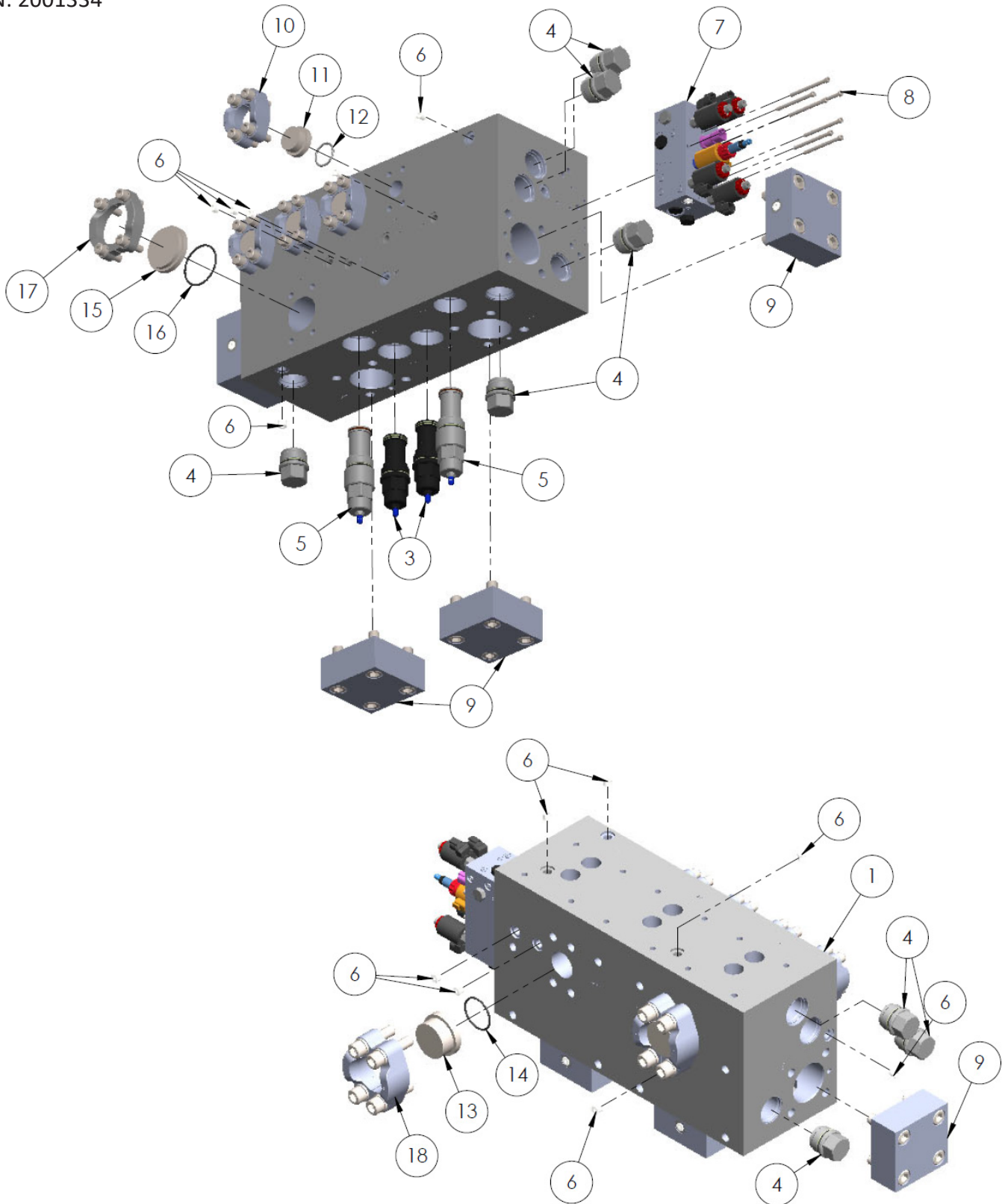
REPLACEMENT PARTS



REPLACEMENT PARTS

40mm Drive Manifold Assembly

P/N: 2001334



REPLACEMENT PARTS



REPLACEMENT PARTS

ITEM #	PART #	APE PART NUMBER	DESCRIPTION	QTY
1	021472	2000502	40MM Drive Manifold Body	1
	MS19SSNC-75	1006992	Electronic Filter indicator <i>(Filters installed)</i>	1
3	RPKC-LWN	2000004	Pilot Operated Piston Relief Valve	2
4	XKOA-XXN	1000807	All Ports Open Cavity Plug	8
5	RDJA-LWN	631065	Direct Acting Relief Valve	2
6	BRE6408-H06-O	1003959	#6 Morb Plug	13
7	2000505	2000505	40MM Drive Manifold Pilot Valve ASM	1
8	SHCS 1/4"-20 X 3.25" X 1.25"	CONTACT FACTORY	Pilot Manifold Mounting Bolts	7
9	AMT-PCC-40-C- BL- WITH LCV- 40-1.6-60	555203	Cover Cartridge, Mounting Hardware for 40mm Din 24342 Directional Control Element	4
10		CONTACT FACTORY	Code 62 Size 20 Split Flange Kit	4
11	FHBH-1250SN	CONTACT FACTORY	DMIC Round Blank Head	4
12	2-222	CONTACT FACTORY	Parker 2-222 O-Ring	4
13	FHBH-2000SN	CONTACT FACTORY	DMIC Round Blank Head	2
14	2-228	CONTACT FACTORY	Parker 2-228 O-Ring	2
15	FHBH-2500SN	CONTACT FACTORY	DMIC Round Blank Head	1
16	2-232	CONTACT FACTORY	Parker 2-232 O-Ring	1
17		CONTACT FACTORY	Code 61 Size 40 Split Flange Kit	1
18		CONTACT FACTORY	Code 61 Size 32 Split Flange Kit	2

REPLACEMENT PARTS

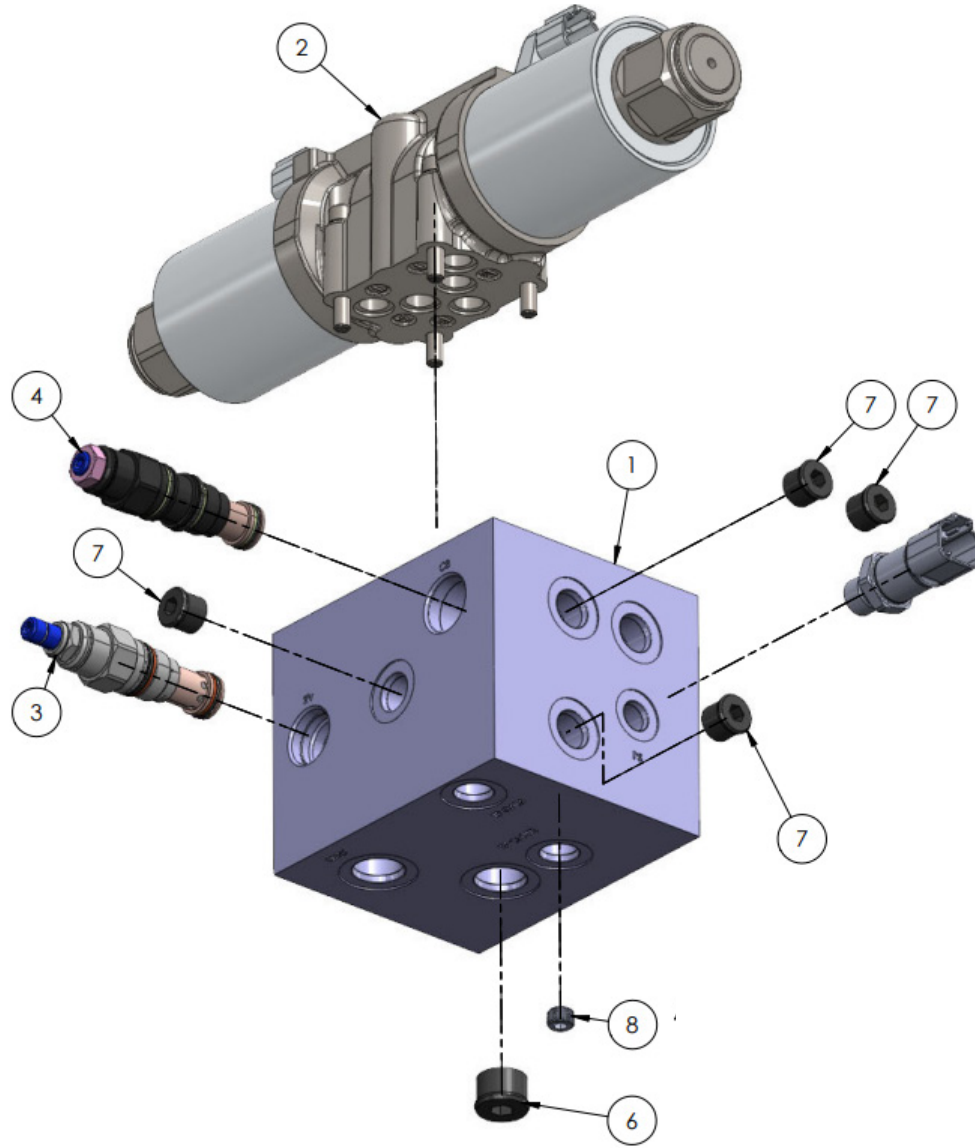
If Pressure Filters Are Installed				
-	KC651KKZX10090G3241	1009111	PRESSURE FILTER MOUNT W/ STEEL PLUG	2
-	MS19SSNC-75	1006992	6K PRESSURE FILTER ELECTRONIC INDICATOR	1
-	27KZ10	1001515	PRESSURE FILTER REPLACEMENT ELEMENT	2



REPLACEMENT PARTS

Clamp Manifold Assembly

P/N: 2000516

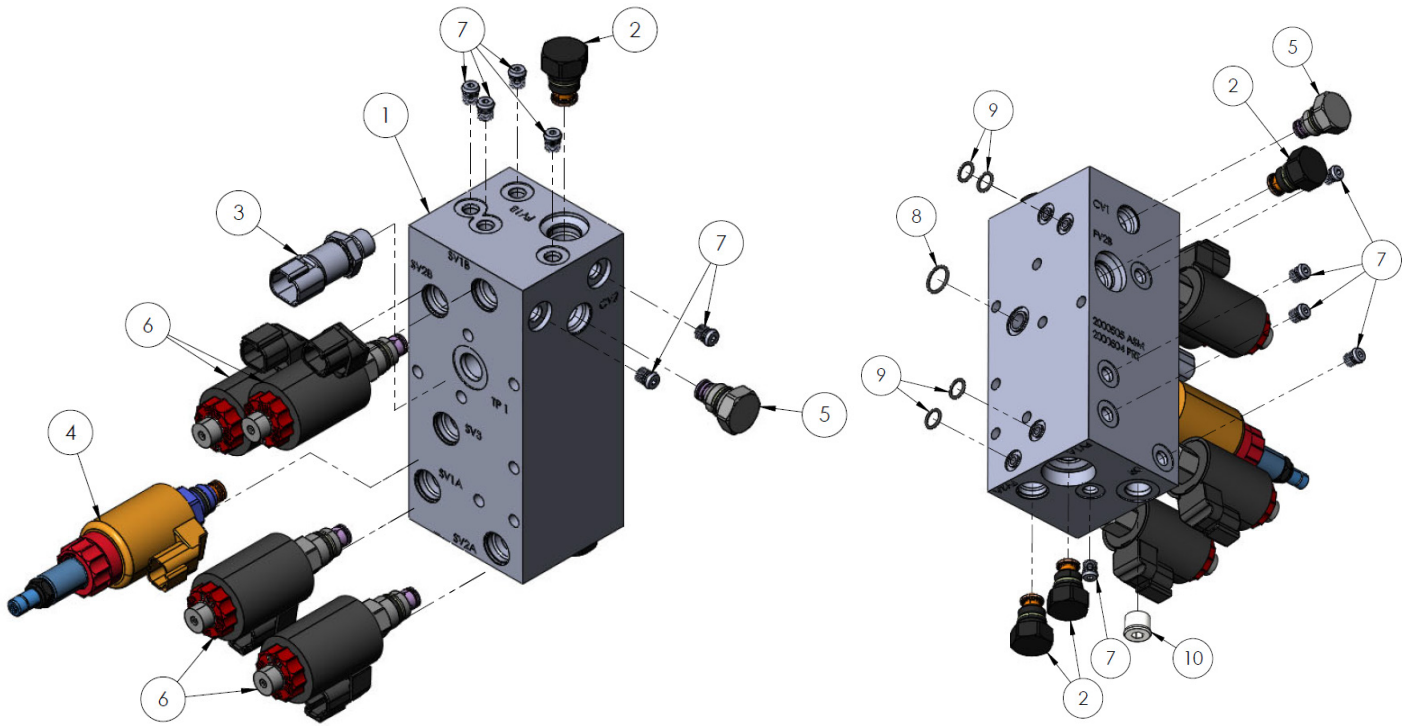


ITEM #	PART #	APE PART NUMBER	DESCRIPTION	QTY
1	2000515	2000515	Clamp Manifold	1
2	RPE4-103H11/02400E13A	555076	Directional Control With Mounting Hardware	1
3	RPEC-LWN	1001658	Relief Valve, PO, Balanced Piston	1
4	CBCG-LJN	631074	Pilot Counter-balance Valve	1
5	3202H60CPS1P8R00	1005409	6000 PSI Pressure Transducer	1
6	BRE-6408-H08	600186	#8 SAE PLUG	1
7	BRE-6408-H06	1003959	#6 SAE PLUG	4
8	1/8" NPT PLUG W/ .02" ORIFICE	1004160	1/8 NPT ORIFICE PLUG	1

REPLACEMENT PARTS

Pilot Valve Manifold Assembly

P/N: 2000505
IF EQUIPPED



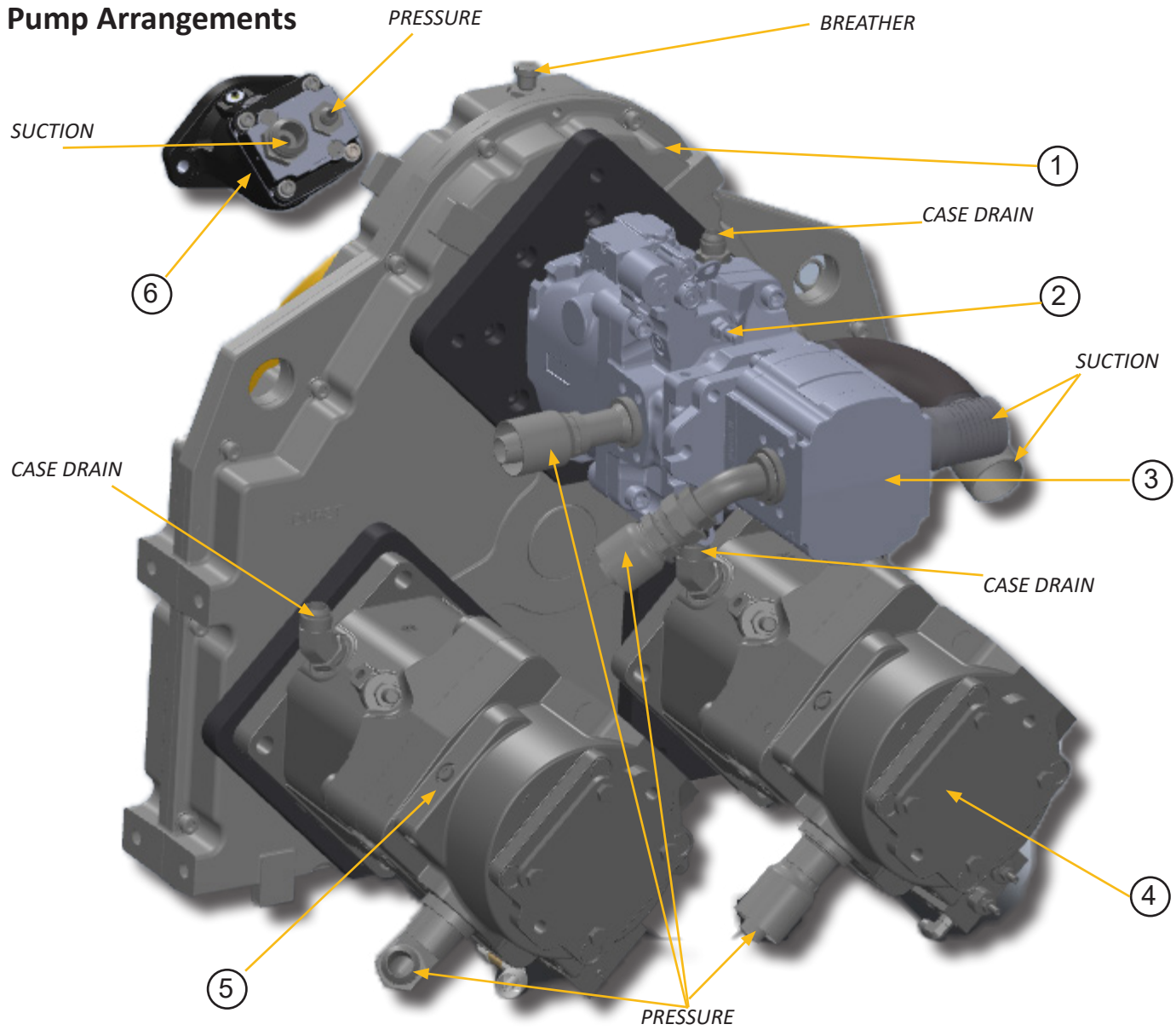
ITEM #	PART #	APE PART NUMBER	DESCRIPTION	QTY
1	2000504	2000504	40MM Drive Manifold Pilot Valve	1
2	FXAA-XDN	2000001	Flow Control Valve	4
3	3202H60CPS1P8R00	1005409	6000 PSI Pressure Transducer	1
4	RBAP-LWN924	2000534	Proportional Relief Valve	1
5	CXAA-XBN	2000005	Pilot Capacity Check Valve	2
6	DTAF-MHN924	1001310A	Directional Blocking Poppet Valve	4
7	BRE6408-H02-O	2000535	# 2 MORB Plug	11
8	PARKER 2-015	160583	Parker 2-015 O-Ring	1
9	PARKER 2-012	160577	Parker 2-012 O-Ring	4
10	BRE6408H60	1003959	-6 SAE Plug	1

REPLACEMENT PARTS



REPLACEMENT PARTS

Pump Arrangements

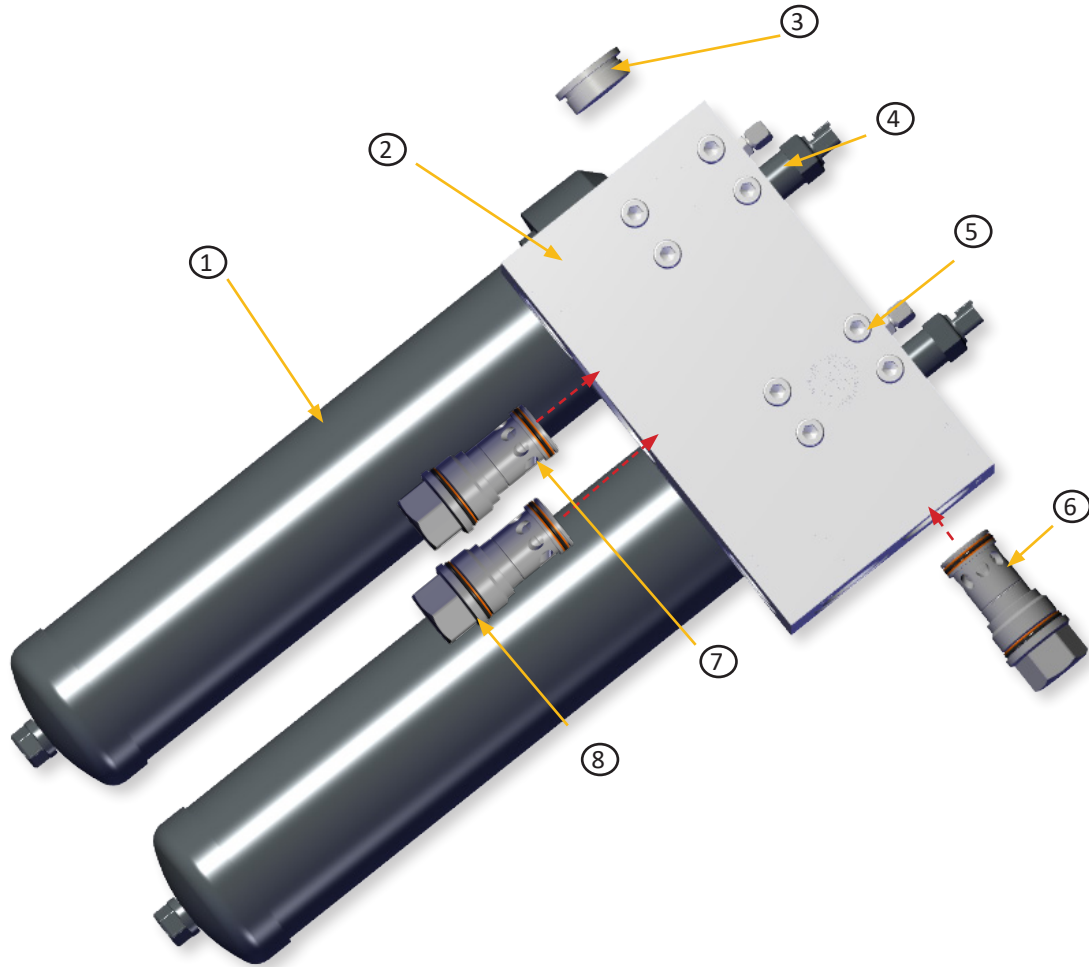


PUMP	PART #	APE PART NUMBER	DESCRIPTION	QTY
1	3PD10 1: 1.21 I-005-CCH-ED45-ED45--RS W/K12061	2000410	3PD10 1:1.21 PUMP DRIVE	1
2	ER-L-130B-AK-28-20-NN-F-3-S1CP-A1N-AAA-NNN-NNN	1007967	FAN DRIVE PUMP	1
3	KP40.133SO-06S8-LSF/SE-N	1007965	RECIRCULATION PUMP	1
4	D1P-260-L-A-NNES-S-E4-Y3-C5-NNN-NNN-30-NN-FS-FS-NNN-NNN	2000079	VARIABLE PISTON PUMP - D1P ELECTRONIC CONTROL, LOAD SENSE	1
5	D1P-260-L-A-NPSN-S-E4-Y3-C5-NNN-340-NN-NN-FS-FS-NNN-NNN	2000089	VARIABLE PISTON PUMP - D1P LOAD SENSE, COMP	1
6	XAi 18 0526635	1004445	CLAMP PUMP	1

REPLACEMENT PARTS

Double KL3 Bypass Manifold Assembly

P/N: 1006781



CALLOUT	PART #	APE PART NUMBER	DESCRIPTION
1	KL31KKZ10F2450MS19NCLDRG2171	1008468	Return Filter
2	HPS-019393	CONTACT FACTORY	KL3 3-Check Cooler Bypass Manifold Body
3	6408-HHP-24	110298	-24 M-ORB O-Ring Hollow Hex Plug
4	3202H500CPS1P8R00	1005295	500 PSI Temp / Pressure Transducer
5	1/2-13X5-SHCS-ZINC	CONTACT FACTORY	Socket Head Cap Screw
6	CXKAXBN	1000826	15 PSI Check Valve
7	CXKAXGN	1000825	150 PSI Check Valve
8	CXKAXFN	1000674	100 PSI Check Valve

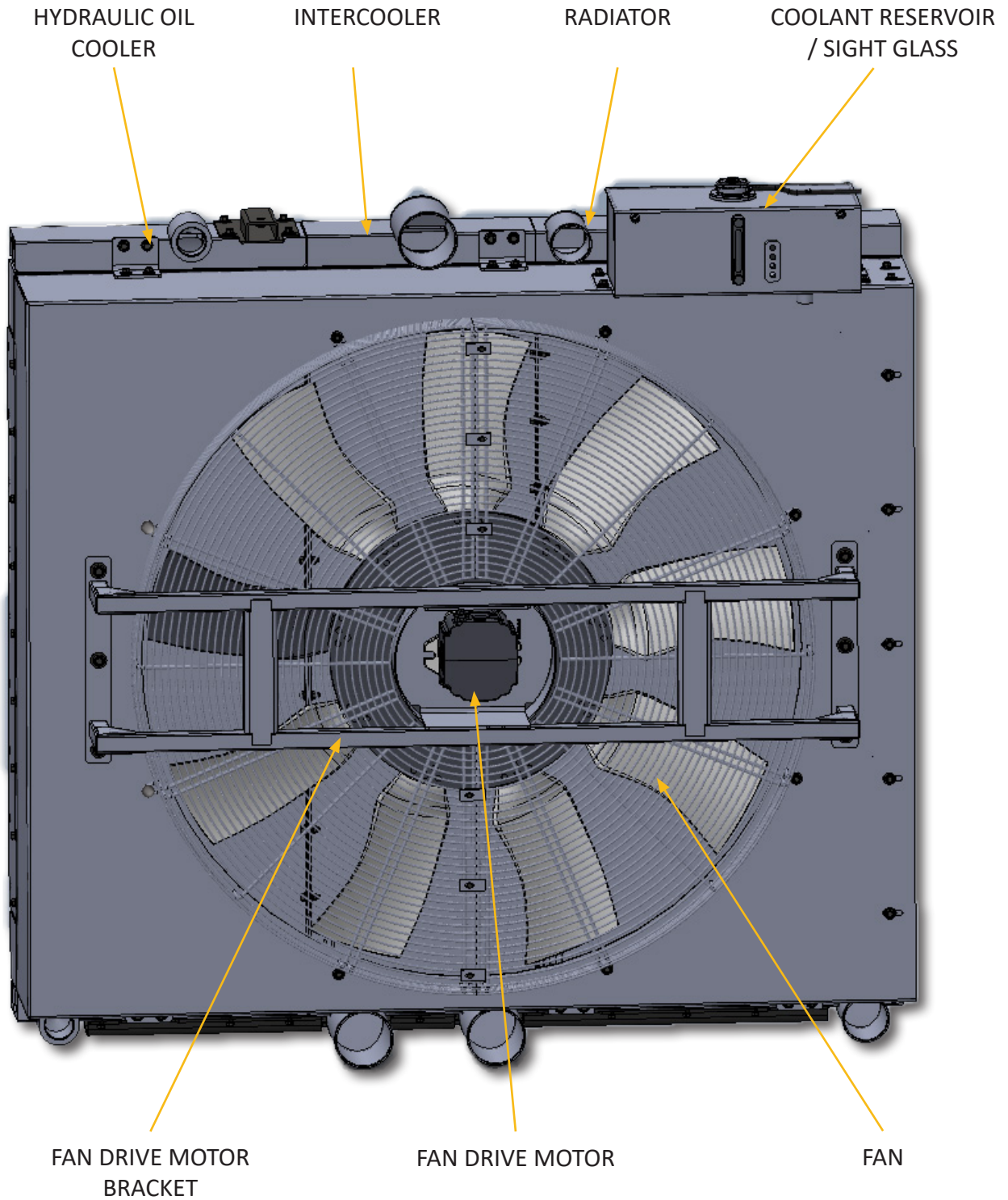
REPLACEMENT PARTS



REPLACEMENT PARTS

Cooler Arrangements

Arrangement # 3824.092.0000



REPLACEMENT PARTS



UNDERSTANDING ISO CODES

The ISO cleanliness code is used to quantify particulate contamination levels per milliliter of fluid at 3 sizes 4μ[c], 6μ[c], and 14μ[c]. The ISO code is expressed in 3 numbers (ie 19/17/14). Each number represents a contaminant level code for the correlating particle size. The code includes all particles of the specified size and larger. It is important to note that each time a code increases the quantity range of particles is doubling.

ISO 4406 Chart		
Range Code	Particles per milliliter	
	More than	Up to/including
24	80000	160000
23	40000	80000
22	20000	40000
21	10000	20000
20	5000	10000
19	2500	5000
18	1300	2500
17	640	1300
16	320	640
15	160	320
14	80	160
13	40	80
12	20	40
11	10	20
10	5	10
9	2.5	5
8	1.3	2.5
7	0.64	1.3
6	0.32	0.64

Sample 1 (see photo 1)

Particle Size	Particles per ml*	ISO 4406 Code range	ISO Code
4μ[c]	151773	80000~160000	24
6μ[c]	38363	20000~40000	22
10μ[c]	8229		
14μ[c]	3339	2500~5000	19
21μ[c]	1048		
38μ[c]	112		

Sample 2 (see photo 2)

Particle Size	Particles per ml*	ISO 4406 Code range	ISO Code
4μ[c]	492	320 ~ 640	16
6μ[c]	149	80 ~ 160	14
10μ[c]	41		
14μ[c]	15	10 ~ 20	11
21μ[c]	5		
38μ[c]	1		

Photo 1

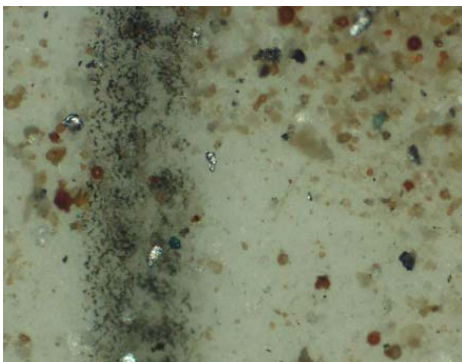


Photo 2



TARGET ISO CLEANLINESS CODES

When setting target ISO fluid cleanliness codes for hydraulic and lubrication systems it is important keep in mind the objectives to be achieved. Maximizing equipment reliability and safety, minimizing repair and replacement costs, extending useful fluid life, satisfying warranty requirements, and minimizing production down-time are attainable goals. Once a target ISO cleanliness code is set following a progression of steps to achieve that target, monitor it, and maintain it justifiable rewards will be yours.

Set the Target.

The first step in identifying a target ISO code for a system is to identify the most sensitive on an individual system, or the most sensitive component supplied by a central reservoir. If a central reservoir supplies several systems the overall cleanliness must be maintained, or the most sensitive component must be protected by filtration that cleans the fluid to the target before reaching that component.

Other Considerations

Table 1 recommends conservative target ISO cleanliness codes based on a several component manufacturers guidelines and extensive field studies for standard industrial operating conditions in systems using petroleum based fluids. If a non-petroleum based fluid is used (i.e. water glycol) the target ISO code should be set one value lower for each size (4 μ[c]/6μ[c]/14μ[c]). If a combination of the following conditions exists in the system the target ISO code should also be set one value lower:

- Component is critical to safety or overall system reliability.
- Frequent cold start.
- Excessive shock or vibration.
- Other Severe operation conditions.

Recommended* Target ISO Cleanliness Codes and media selection for systems using petroleum based fluids per ISO4406:1999 for particle sizes 4μ[c] / 6μ[c] / 14μ[c]

	Pressure < 140 bar < 2000 psi	Media βx[c] = 1000 (βx = 200)	Pressure 212 bar 3000 psi	Media βx[c] = 1000 (βx = 200)	Pressure > 212 bar > 3000 psi	Media βx[c] = 1000 (βx = 200)
Pumps						
Fixed Gear	20/18/15	22μ[c] (25 μ)	19/17/15	12μ[c] (12 μ)	-	-
Fixed Piston	19/17/14	12μ[c] (12 μ)	18/16/13	12μ[c] (12 μ)	17/15/12	7μ[c] (6 μ)
Fixed Vane	20/18/15	22μ[c] (25 μ)	19/17/14	12μ[c] (12 μ)	18/16/13	12μ[c] (12 μ)
Variable Piston	18/16/13	7μ[c] (6 μ)	17/15/13	5μ[c] (3 μ)	16/14/12	7μ[c] (6 μ)
Variable Vane	18/16/13	7μ[c] (6 μ)	17/15/12	5μ[c] (3 μ)	-	-
Valves						
Cartridge	18/16/13	12μ[c] (12 μ)	17/15/12	7μ[c] (6 μ)	17/15/12	7μ[c] (6 μ)
Check Valve	20/18/15	22μ[c] (25 μ)	20/18/15	22μ[c] (25 μ)	19/17/14	12μ[c] (12 μ)
Directional (solenoid)	20/18/15	22μ[c] (25 μ)	19/17/14	12μ[c] (12 μ)	18/16/13	12μ[c] (12 μ)
Flow Control	19/17/14	12μ[c] (12 μ)	18/16/13	12μ[c] (12 μ)	18/16/13	12μ[c] (12 μ)
Pressure Control (modulating)	19/17/14	12μ[c] (12 μ)	18/16/13	12μ[c] (12 μ)	17/15/12	7μ[c] (6 μ)
Proportional Cartridge Valve	17/15/12	7μ[c] (6 μ)	17/15/12	7μ[c] (6 μ)	16/14/11	5μ[c] (3 μ)
Proportional Directional	17/15/12	7μ[c] (6 μ)	17/15/12	7μ[c] (6 μ)	16/14/11	5μ[c] (3 μ)
Proportional Flow Control	17/15/12	7μ[c] (6 μ)	17/15/12	7μ[c] (6 μ)	16/14/11	5μ[c] (3 μ)
Proportional Pressure Control	17/15/12	7μ[c] (6 μ)	17/15/12	7μ[c] (6 μ)	16/14/11	5μ[c] (3 μ)
Servo Valve	16/14/11	7μ[c] (6 μ)	16/14/11	5μ[c] (3 μ)	15/13/10	5μ[c] (3 μ)
Bearings						
Ball Bearing	15/13/10	5μ[c] (3 μ)	-	-	-	-
Gearbox (Industrial)	17/16/13	12μ[c] (12 μ)	-	-	-	-
Journal Bearing (high speed)	17/15/12	7μ[c] (6 μ)	-	-	-	-
Journal Bearing (low speed)	17/15/12	7μ[c] (6 μ)	-	-	-	-
Roller Bearing	16/14/11	7μ[c] (6 μ)	-	-	-	-
Actuators						
Cylinders	17/15/12	7μ[c] (6 μ)	16/14/11	5μ[c] (3 μ)	15/13/10	5μ[c] (3 μ)
Vane Motors	20/18/15	22μ[c] (25 μ)	19/17/14	12μ[c] (12 μ)	18/16/13	12μ[c] (12 μ)
Axial Piston Motors	19/17/14	12μ[c] (12 μ)	18/16/13	12μ[c] (12 μ)	17/15/12	7μ[c] (6 μ)
Gear Motors	20/18/14	22μ[c] (25 μ)	19/17/13	12μ[c] (12 μ)	18/16/13	12μ[c] (12 μ)
Radial Piston Motors	20/18/15	22μ[c] (25 μ)	19/17/14	12μ[c] (12 μ)	18/16/13	12μ[c] (12 μ)
Test Stands, Hydrostatic						
Test Stands	15/13/10	5μ[c] (3 μ)	15/13/10	5μ[c] (3 μ)	15/13/10	5μ[c] (3 μ)
Hydrostatic Transmissions	17/15/13	7μ[c] (6 μ)	16/14/11	5μ[c] (3 μ)	16/14/11	5μ[c] (3 μ)

*Depending upon system volume and severity of operating conditions a combination of filters with varying degrees of filtration efficiency might be required (i.e. pressure, return, and off-line filters) to achieve and maintain the desired fluid cleanliness.

Example	ISO Code	Comments
Operating Pressure	156 bar, 2200 psi	
Most Sensitive Component	Directional Solenoid	19/17/14 recommended baseline ISO Code
Fluid Type	Water Glycol	18/16/13 Adjust down one class
Operating Conditions	Remote location, repair difficult High ingestion rate	17/15/12 Adjust down one class, combination of critical nature, severe conditions

REFERENCE / NOTES

RECOMMENDED BOLT TIGHTENING TORQUE “LUBRICATED SHCS”

Socket Head Cap Screws

When installing any APE equipment or parts apply lubricant and use APE standard **Anti-Seize** torque specs.

See Tightening Torque Spec below. Failure to follow tightening torque spec can result in under / over tightening fasteners, leading to equipment failure or personal injury.



COARSE THREADS

Nominal Screw Size	Nominal Socket Size	Tightening Torque (ft-lbs)
#10-24	5/32	6
.25-20	3/16	10
.31-18	1/4	22
.38-16	5/16	38
.44-14	3/8	61
.50-13	3/8	93
.63-11	1/2	179
.75-10	5/8	317
.88-9	3/4	511
1.00-8	3/4	767
1.25-7	7/8	1,533
1.50-6	1	2,668

FINE THREADS

Nominal Screw Size	Nominal Socket Size	Tightening Torque (ft-lbs)
#10-32	5/32	6
.25-28	3/16	12
.31-24	1/4	24
.38-24	5/16	43
.44-20	3/8	68
.50-20	3/8	105
.63-18	1/2	202
.75-16	5/8	354
.88-14	3/4	564
1.00-12	3/4	860
1.25-12	7/8	1,697
1.50-12	1	3,001

RECOMMENDED ANTI-SEIZE LUBRICANT

BENEFITS & FEATURES

- **Excellent Anti-Seize** Prevents seizing caused by galling, galvanic action, fretting, fusion, pitting, thread distortion, breakage, rust, and corrosion.
- **Water Resistant** Provides long term protection with just one application, outdoors or indoors, even in the damp areas or against salt spray. Will not wash off.
- **Wide Temperature Range** Coating withstands temperatures of -65 Degree F to 2100 Degree F, (-54 C to 1100 C)
- **Stable Coating** Will not harden or fuse to metal, cake, evaporate or separate
- **Compatible with many materials** Can be used as an anti-seize on the threads of steel, stainless steel, steel alloy, cast iron, aluminum, copper brass, and titanium parts and reduces friction and wear on plastic.
- **Environmentally Desirable** Past contains no lead compounds traditionally found in this type of product.



WARNING: USING OTHER TYPES OF ANTI-SEIZE NOT RECOMMENDED BY APE CAN LEAD TO EQUIPMENT FAILURE OR PERSONAL INJURY. WARRANTY WILL BE VOIDED AND FEES MAY APPLY.

REFERENCE / NOTES

All information given in this Manual is current and valid per the information available at the time of publication. (Please check the updated revision date at the bottom of each page.)

American Piledriving Equipment (APE) reserves the right to implement changes without prior notice.

Please visit www.americanpiledriving.com for the most recent version of this publication.

AMERICAN PILEDRIVING EQUIPMENT, INC.
7032 S. 196th Street
Kent, Washington 98032
Office: 253-872-0141
Toll Free: 800-248-8498
Fax: 253-872-8710



800-248-8498
WWW.AMERICANPILEDRIVING.COM

MODEL 950 VARIABLE POWER UNIT
Copyright © 2021 American Piledriving Equipment Inc. All Rights Reserved