

(12) INTERNATIONAL APPLICATION PUBLISHED UNDER THE PATENT COOPERATION TREATY (PCT)

(19) World Intellectual Property  
Organization  
International Bureau(10) International Publication Number  
**WO 2013/188758 A3**(43) International Publication Date  
19 December 2013 (19.12.2013)

- (51) International Patent Classification:  
*E02D 5/46* (2006.01)
- (21) International Application Number:  
PCT/US2013/045876
- (22) International Filing Date:  
14 June 2013 (14.06.2013)
- (25) Filing Language:  
English
- (26) Publication Language:  
English
- (30) Priority Data:  
61/660,292 15 June 2012 (15.06.2012) US  
13/594,839 26 August 2012 (26.08.2012) US  
61/831,554 5 June 2013 (05.06.2013) US  
61/831,535 5 June 2013 (05.06.2013) US  
13/917,183 13 June 2013 (13.06.2013) US
- (71) Applicant: **AMERICAN PILEDIVING EQUIPMENT, INC.** [US/US]; 7032 South 196th, Kent, Washington 98032 (US).
- (72) Inventor; and  
(71) Applicant : **SUVER, Paul W.** [US/US]; 4667 Lake Washington Blvd S., Seattle, Washington 98118 (US).
- (74) Agent: **MADSON, Craig J.**; Madson IP, P.C., 846 West Emerald Oaks Court, Farmington, Utah 84025 (US).
- (81) Designated States (*unless otherwise indicated, for every kind of national protection available*): AE, AG, AL, AM, AO, AT, AU, AZ, BA, BB, BG, BH, BN, BR, BW, BY, BZ, CA, CH, CL, CN, CO, CR, CU, CZ, DE, DK, DM, DO, DZ, EC, EE, EG, ES, FI, GB, GD, GE, GH, GM, GT, HN, HR, HU, ID, IL, IN, IS, JP, KE, KG, KN, KP, KR, KZ, LA, LC, LK, LR, LS, LT, LU, LY, MA, MD, ME, MG, MK, MN, MW, MX, MY, MZ, NA, NG, NI, NO, NZ, OM, PA, PE, PG, PH, PL, PT, QA, RO, RS, RU, RW, SC, SD, SE, SG, SK, SL, SM, ST, SV, SY, TH, TJ, TM, TN, TR, TT, TZ, UA, UG, US, UZ, VC, VN, ZA, ZM, ZW.
- (84) Designated States (*unless otherwise indicated, for every kind of regional protection available*): ARIPO (BW, GH, GM, KE, LR, LS, MW, MZ, NA, RW, SD, SL, SZ, TZ, UG, ZM, ZW), Eurasian (AM, AZ, BY, KG, KZ, RU, TJ, TM), European (AL, AT, BE, BG, CH, CY, CZ, DE, DK,

[Continued on next page]

(54) Title: APPARATUS AND METHODS FOR PIPE PILING PLACEMENT WITH CONTINUOUS GROUTING

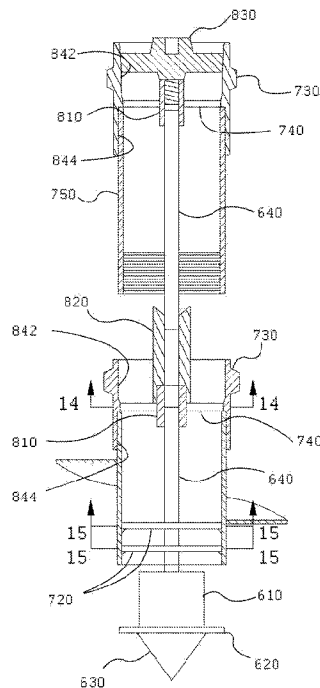


FIG. 13

(57) Abstract: A pipe assembly may have one or more pipe segments that are coupled together or coupled to a drive socket by a coupler. The bottom-most pipe segment being a bottom pile segment that may have a body with a central axis, an exterior surface an upper end connectable to the pipe pile assembly, and a bottom end inhibiting grout from passing through, helical flights extending from the exterior surface of the body substantially perpendicular to the central axis, and grout ports through which the grout is emittable. The bottom pipe segment is designed to receive grout introduced through the pipe assembly so that the grout can be emitted through the grout ports during the driving of the pile assembly into soil. The emitted grout forms a grout/soil mixture jacket within the disturbed soil along an exterior of the pipe pile assembly which adds appreciably to the overall pile column stability.



WO 2013/188758 A3

**WO 2013/188758 A3**



EE, ES, FI, FR, GB, GR, HR, HU, IE, IS, IT, LT, LU,  
LV, MC, MK, MT, NL, NO, PL, PT, RO, RS, SE, SI, SK,  
SM, TR), OAPI (BF, BJ, CF, CG, CI, CM, GA, GN, GQ,  
GW, KM, ML, MR, NE, SN, TD, TG).

**Published:**

— *with international search report (Art. 21(3))*

**(88) Date of publication of the international search report:**  
27 February 2014