



APE HD™ HELICAL PILE SOCKET

DEEP FOUNDATION
SOLUTIONS



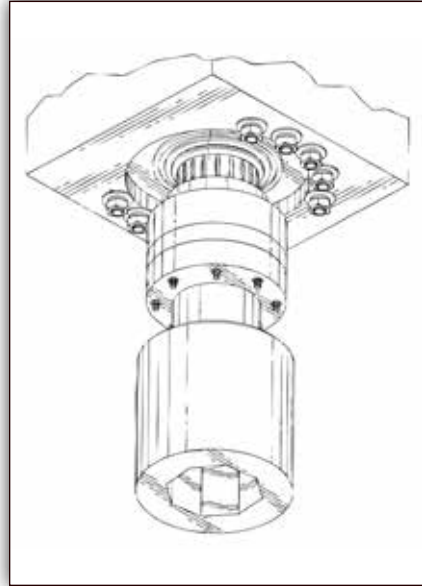
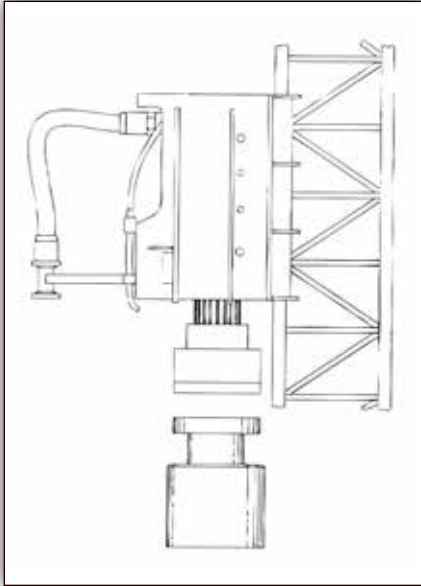
800-248-8498
WWW.APEVIBRO.COM

The APE product line is protected by, but not limited to the following patent numbers:
5088565A, 5117925A, 5263544A, 5529132A, 5544979A, 5609380A, 5653556A,
5794716A, 6039508A, 6386295B1, 6427402B1, 6431795B2, 6447036B1, 6543966B2,
6648556B1, 6672805B1, 6732483B1, 6736218B1, 6896448B1, 6908262B1, 6942430B1,
6988564B2, 7168890B1, 7392855B1, 7694747B1, 7708499B1, 7824132B1, 7854871B1,
7913771B2, 7950876B2, 7950877B2, 8070391B2, 8181713B2, 8186452B1, 8434969B2,
8496072B2, 20090200055A1. For a more detailed information and a more comprehensive
list of APE patents please visit the website at www.apevibro.com/ver2/APEPatents.asp.

APE HD™ HELICAL PILE SOCKET

Quickly Adapts Sunward / IMT / Bauer drill rigs as well as Lodrills and CFA drilling rigs for use with American Pile Equipment Socket drive Helical pile systems. Sockets can be made for any pipe size up to 30", for sizes above 13 3/8" quotes must come from the factory.

These sockets are inexpensive and fast to install and can make drilling equipment that is already owned capable of installing the APE helical pile system in almost any pipe diameter. Grouted helical pile options are possible with most drilling equipment, call (800) 248-8498 for more details.



HELICAL PILE SOCKET SPECIFICATIONS

Pile Diameter	in	4.5	5.5	7	9.625	11.75	13.375
	mm		114.3	139.7	177.8	244.48	298.45

