



US010538892B2

(12) **United States Patent**
Cress et al.

(10) **Patent No.:** US 10,538,892 B2
(45) **Date of Patent:** Jan. 21, 2020

(54) **HYDRAULIC IMPACT HAMMER SYSTEMS AND METHODS**

(56) **References Cited**

U.S. PATENT DOCUMENTS

- (71) Applicant: **American Piledriving Equipment, Inc.**, Kent, WA (US)
- (72) Inventors: **Steven N. Cress**, Renton, WA (US);
Joseph M. Klekotka, Seattle, WA (US)
- (73) Assignee: **AMERICAN PILEDRIVING EQUIPMENT, INC.**, Kent, WA (US)

5,015 A	3/1847	Ingalls	
48,515 A	7/1865	Campbell et al.	
369,176 A	8/1887	Gerstein	
400,209 A	3/1889	Haskins	
628,962 A	7/1899	Speer	
999,334 A	8/1911	Pearson	
1,103,104 A *	7/1914	Tismer	B25D 9/20 91/239
1,128,808 A	2/1915	Manoogian	

(Continued)

(*) Notice: Subject to any disclaimer, the term of this patent is extended or adjusted under 35 U.S.C. 154(b) by 419 days.

FOREIGN PATENT DOCUMENTS

CN	2538852	3/2003
CN	101182714 A	5/2008

(Continued)

(21) Appl. No.: **15/199,695**

(22) Filed: **Jun. 30, 2016**

OTHER PUBLICATIONS

(65) **Prior Publication Data**
US 2018/0002886 A1 Jan. 4, 2018

“Kony Drain Board,” undated, 1 page.
“The 1st Report on the Treatment of Soft Foundation in Juck Hyun Industrial Site”, Ref. Nos. APE00854-APE00856, 1976, 3 pages.
(Continued)

(51) **Int. Cl.**
E02D 7/14 (2006.01)
B25D 9/04 (2006.01)
E02D 7/10 (2006.01)
E02D 7/12 (2006.01)
E02D 7/26 (2006.01)

Primary Examiner — Alexander M Valvis
Assistant Examiner — Katie L Gerth
(74) *Attorney, Agent, or Firm* — Michael R. Schacht;
Schacht Law Office, Inc.

(52) **U.S. Cl.**
CPC *E02D 7/14* (2013.01); *B25D 9/04* (2013.01); *E02D 7/10* (2013.01); *E02D 7/125* (2013.01); *E02D 7/26* (2013.01)

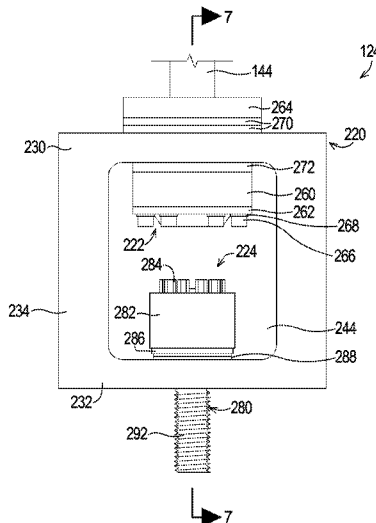
(57) **ABSTRACT**

(58) **Field of Classification Search**
CPC .. *E02D 7/10*; *E02D 7/125*; *E02D 7/14*; *E02D 7/26*; *E02D 7/12*; *B25D 9/16*; *B25D 9/20*; *B25D 9/04*
USPC 173/200, 2–11, 90, 176–183, 184, 213; 405/228

A hydraulic impact hammer for striking a pile has a main housing, a ram supported, a coupler rod, a conversion housing, a hydraulic actuator, and a ram connector. The hydraulic actuator defines an actuator rod, a lifting head, and a lift connector. The lifting head defines an upper wall and a lower wall. The lift connector attaches the actuator rod to the upper wall of the lifting head. The ram connector attaches the coupler rod to the lower wall of the lifting head. Operation of the hydraulic actuator raises and lowers the ram to strike the pile.

See application file for complete search history.

18 Claims, 5 Drawing Sheets



(56)

References Cited

U.S. PATENT DOCUMENTS

1,159,303 A *	11/1915	Waugh	B25D 9/20 91/239	3,822,969 A	7/1974	Kummel
1,213,800 A	1/1917	Piper		3,828,864 A	8/1974	Haverkamp et al.
1,288,989 A	12/1918	Rees		3,854,418 A	12/1974	Bertin
1,294,154 A	2/1919	Payne		3,861,664 A	1/1975	Durkee
1,322,470 A	11/1919	Schenk		3,865,501 A	2/1975	Kniep
1,348,994 A	8/1920	Heckle		3,871,617 A	3/1975	Majima
1,464,231 A	8/1923	Yezeck		3,874,244 A	4/1975	Rasmussen et al.
1,654,093 A	12/1927	Reid		3,891,186 A	6/1975	Thorsell
1,702,349 A	2/1929	Krell		3,907,042 A	9/1975	Halwas et al.
1,748,555 A	2/1930	Kinney		3,952,796 A	4/1976	Larson
1,762,037 A	6/1930	Taylor		3,959,557 A	5/1976	Berry
1,769,169 A	7/1930	Thornley		3,967,688 A	7/1976	Inenaga et al.
1,787,000 A	12/1930	Hunt		3,975,918 A	8/1976	Jansz
1,903,555 A	4/1933	Robertson		3,991,833 A	11/1976	Ruppert
1,914,899 A	6/1933	Syme		3,998,063 A	12/1976	Harders
1,988,173 A	1/1935	Kersting		4,018,290 A	4/1977	Schmidt
2,068,045 A	1/1937	Wohlmeyer		4,029,158 A	6/1977	Gerrish
2,239,024 A	4/1941	Vance		4,033,419 A	7/1977	Pennington
2,345,795 A *	4/1944	Collyer	E02D 13/10 173/130	4,067,369 A	1/1978	Harmon
2,577,252 A	12/1951	Kjellman		4,076,081 A *	2/1978	Schnell
2,723,532 A *	11/1955	Smith	E02D 13/10 173/131	4,082,361 A	4/1978	Lanfermann
2,755,783 A	7/1956	Kupka		4,099,387 A	7/1978	Frederick et al.
2,804,856 A *	9/1957	Spurlin	B21J 7/26 123/46 R	4,100,974 A	7/1978	Pepe
2,842,972 A	7/1958	Houdart		4,102,408 A	7/1978	Ludvigson
2,859,628 A	11/1958	Arko		4,109,475 A	8/1978	Schnell
2,882,690 A	4/1959	Frederick		4,113,034 A	9/1978	Carlson
2,904,964 A	9/1959	Kupka		4,119,159 A	10/1978	Arentsen
2,952,132 A	9/1960	Urban		4,143,985 A	3/1979	Axelsson et al.
3,001,515 A	9/1961	Haage		4,154,307 A	5/1979	Gendron et al.
3,004,389 A	10/1961	Muller		4,155,600 A	5/1979	Lanfermann et al.
3,034,304 A	5/1962	Upton		4,166,508 A	9/1979	van den Berg
3,094,007 A	6/1963	Luhrs		4,180,047 A	12/1979	Bertelson
3,100,382 A	8/1963	Muller		4,187,917 A	2/1980	Bouyoucos
3,101,552 A	8/1963	Tandler		4,195,698 A	4/1980	Nakagawasai
3,106,258 A	10/1963	Muller		4,248,550 A	2/1981	Blaschke et al.
3,108,503 A	10/1963	Murek		4,262,755 A	4/1981	Kuhn
3,115,198 A	12/1963	Kuss		4,274,761 A	6/1981	Boguth
3,149,851 A	9/1964	Adams		4,312,413 A	1/1982	Lofis
3,172,485 A	3/1965	Spannhake et al.		4,362,216 A	12/1982	Jansz
3,177,029 A	4/1965	Larson		4,366,870 A	1/1983	Frederick
3,193,026 A	7/1965	Kupka		4,367,800 A	1/1983	Arentsen
3,227,483 A	1/1966	Guild et al.		4,375,927 A	3/1983	Kniep
3,243,190 A	3/1966	Peregrine		4,380,918 A	4/1983	Killop
3,267,677 A	8/1966	Bollar		4,382,475 A	5/1983	Suzuki
3,289,774 A	12/1966	Bodine, Jr.		4,397,199 A	8/1983	Jahn
3,300,987 A	1/1967	Maeda		4,421,180 A	12/1983	Fleishman et al.
3,313,376 A	4/1967	Holland, Sr.		4,428,699 A	1/1984	Juhola
3,371,727 A	3/1968	Belousov et al.		4,430,024 A	2/1984	Guild et al.
3,381,422 A	5/1968	Olson		4,436,452 A	3/1984	Bodine
3,391,435 A	7/1968	Lebelle		4,455,105 A	6/1984	Juhola
3,394,766 A	7/1968	Lebelle		4,465,145 A	8/1984	Kuhn
3,412,813 A	11/1968	Johnson		4,473,123 A *	9/1984	Ranft
3,447,423 A	6/1969	Henry		4,484,638 A *	11/1984	West
3,450,398 A	6/1969	Barnes		4,497,376 A	2/1985	Kurylko
3,460,637 A	8/1969	Schulin		4,497,377 A *	2/1985	Haytayan
3,513,587 A	5/1970	Fischer		4,505,614 A	3/1985	Anschutz
3,530,947 A	9/1970	Gendron et al.		4,519,729 A	5/1985	Clarke et al.
3,577,645 A	5/1971	Zurawski		4,537,527 A	8/1985	Juhola
3,583,497 A	6/1971	Kossowski et al.		4,547,110 A	10/1985	Davidson
3,616,453 A	10/1971	Philpot		4,553,443 A	11/1985	Rossfelder et al.
3,620,137 A	11/1971	Prasse		4,601,615 A	7/1986	Cavalli
3,638,738 A	2/1972	Varnell		4,603,748 A	8/1986	Rossfelder et al.
3,679,005 A	7/1972	Inaba et al.		4,624,325 A	11/1986	Steiner
3,684,037 A	8/1972	Bodine		4,626,138 A	12/1986	Boyes
3,686,877 A	8/1972	Bodin		4,627,768 A	12/1986	Thomas et al.
3,711,161 A	1/1973	Proctor et al.		4,632,602 A	12/1986	Hovnanian
3,720,435 A	3/1973	Leyn		4,637,475 A	1/1987	England et al.
3,734,209 A	5/1973	Haisch et al.		4,645,017 A	2/1987	Bodine
3,786,874 A	1/1974	Demichelis et al.		4,687,026 A	8/1987	Westman
3,789,930 A	2/1974	Nishimura et al.		4,725,167 A	2/1988	Merjan
3,797,585 A	3/1974	Ludvigson		4,735,270 A	4/1988	Fenyvesi
				4,755,080 A	7/1988	Cortlever et al.
				4,757,809 A	7/1988	Koeneman et al.
				4,758,148 A	7/1988	Jidell
				4,768,900 A	9/1988	Burland

(56)

References Cited

U.S. PATENT DOCUMENTS

4,799,557 A 1/1989 Jacquemet
 4,813,814 A 3/1989 Shibuta et al.
 4,844,661 A 7/1989 Martin et al.
 4,863,312 A 9/1989 Cavalli
 4,877,353 A * 10/1989 Wisotsky, Sr. B09B 1/002
 588/17
 4,915,180 A 4/1990 Schisler
 4,961,471 A 10/1990 Ovens
 4,974,997 A 12/1990 Sero et al.
 4,989,677 A 2/1991 Lam
 4,993,500 A 2/1991 Greene et al.
 5,004,055 A * 4/1991 Porritt E21B 7/24
 175/122
 5,018,251 A 5/1991 Brown
 5,018,905 A * 5/1991 Kinder E02D 27/48
 405/230
 5,076,090 A 12/1991 Cetnarowski
 5,088,565 A 2/1992 Evarts
 5,107,934 A 4/1992 Atchison
 5,117,925 A 6/1992 White
 5,154,667 A 10/1992 Mauch et al.
 5,161,625 A 11/1992 Seng
 5,213,449 A 5/1993 Morris
 5,253,542 A 10/1993 Houze
 RE34,460 E 11/1993 Ishiguro et al.
 5,263,544 A 11/1993 White
 5,281,775 A 1/1994 Gremillion
 5,343,002 A 8/1994 Gremillion
 5,355,964 A 10/1994 White
 5,375,897 A 12/1994 Gazel-Anthoine
 5,385,218 A 1/1995 Migliori
 5,409,070 A 4/1995 Roussy
 5,410,879 A 5/1995 Houze
 5,423,633 A 6/1995 Verstraeten
 5,439,326 A 8/1995 Goughnour et al.
 5,526,885 A 6/1996 Kuvshinov et al.
 5,529,132 A 6/1996 Evarts
 5,540,193 A 7/1996 Achten et al.
 5,540,295 A 7/1996 Serrette
 5,544,979 A 8/1996 White
 5,549,168 A 8/1996 Sadler et al.
 5,551,804 A 9/1996 Breaux et al.
 5,562,169 A 10/1996 Barrow
 5,609,380 A 3/1997 White
 5,653,556 A 8/1997 White
 5,658,091 A 8/1997 Goughnour et al.
 5,727,639 A 3/1998 Jeter
 5,788,419 A 8/1998 Whitty, Jr. et al.
 5,794,716 A 8/1998 White
 5,806,610 A 9/1998 Sapozhnikov
 5,811,741 A 9/1998 Coast et al.
 5,836,205 A 11/1998 Meyer
 5,860,482 A 1/1999 Gremillion et al.
 5,918,511 A 7/1999 Sabbaghian et al.
 5,924,498 A 7/1999 Nilsen
 5,934,835 A 8/1999 Whitty, Jr. et al.
 6,003,619 A 12/1999 Lange
 6,039,508 A 3/2000 White
 6,056,070 A 5/2000 Shinohara et al.
 6,102,133 A * 8/2000 Scheid E02D 7/26
 173/1
 6,129,159 A 10/2000 Scott et al.
 6,129,487 A 10/2000 Birmingham et al.
 6,135,214 A * 10/2000 Last E02D 7/10
 173/128
 6,155,353 A 12/2000 Ottestad
 6,179,527 B1 1/2001 Goughnour
 6,186,043 B1 2/2001 Callies
 6,216,394 B1 4/2001 Fenelon
 6,224,294 B1 * 5/2001 Mansfield B63C 3/06
 173/1
 6,227,767 B1 5/2001 Mosing et al.
 6,234,260 B1 5/2001 Coast et al.
 6,250,426 B1 6/2001 Lombard

6,360,829 B1 3/2002 Naber et al.
 6,364,577 B1 4/2002 Haney
 6,378,951 B1 4/2002 Bouyoucos et al.
 6,386,295 B1 5/2002 Suver
 6,427,402 B1 8/2002 White
 6,431,795 B2 8/2002 White
 6,447,036 B1 9/2002 White
 6,484,553 B1 11/2002 Devers
 6,543,966 B2 4/2003 White
 6,557,647 B2 5/2003 White
 6,582,158 B1 6/2003 Van Stein
 6,648,556 B1 11/2003 White
 6,652,194 B2 11/2003 Ingle
 6,672,805 B1 1/2004 White
 6,691,797 B1 2/2004 Hart
 6,732,483 B1 5/2004 White
 6,736,218 B1 * 5/2004 White E02D 7/125
 173/135
 6,752,043 B2 6/2004 Carlson
 6,860,338 B2 3/2005 Saleses et al.
 6,896,448 B1 5/2005 White
 6,908,262 B1 6/2005 White
 6,938,704 B2 * 9/2005 Berger B25D 11/005
 173/109
 6,942,430 B1 9/2005 Suver
 6,988,564 B2 1/2006 White
 7,011,156 B2 * 3/2006 von Gynz-Rekowski
 E21B 4/14
 166/178
 7,043,806 B2 5/2006 Schrock et al.
 7,156,190 B2 * 1/2007 Ottestad B25D 9/12
 173/128
 7,168,890 B1 1/2007 Evarts
 7,392,855 B1 7/2008 White
 7,404,449 B2 7/2008 Bermingham et al.
 7,407,343 B2 8/2008 van Halteren et al.
 7,591,612 B2 9/2009 Wong
 7,694,747 B1 4/2010 White
 7,708,499 B1 5/2010 Evarts et al.
 7,726,913 B1 6/2010 Sjogren
 7,824,132 B1 11/2010 White
 7,854,571 B1 12/2010 Evarts
 7,950,877 B2 5/2011 Evarts
 7,972,083 B2 7/2011 Jones
 8,070,391 B2 12/2011 White
 8,181,713 B2 5/2012 White
 8,181,716 B2 * 5/2012 Robson B25D 17/08
 173/210
 8,186,452 B1 5/2012 White et al.
 8,763,719 B2 * 7/2014 White E02D 7/125
 173/1
 9,278,443 B2 * 3/2016 Robson B25D 17/24
 9,371,624 B2 * 6/2016 Suver E02D 7/22
 9,611,610 B2 * 4/2017 Suver E02D 11/00
 10,273,646 B2 * 4/2019 Cress E02D 7/125
 2002/0139550 A1 * 10/2002 Mewes E02D 7/125
 173/114
 2003/0143036 A1 7/2003 Larsen, Jr.
 2005/0013675 A1 1/2005 Bengston et al.
 2005/0232708 A1 10/2005 White
 2006/0052818 A1 3/2006 Drake et al.
 2006/0113456 A1 6/2006 Miller
 2006/0216118 A1 9/2006 Wong
 2008/0310923 A1 12/2008 Jinnings et al.
 2009/0129870 A1 5/2009 Jones
 2010/0303552 A1 12/2010 Yingling et al.
 2011/0162859 A1 7/2011 White
 2011/0243668 A1 10/2011 White
 2011/0252610 A1 10/2011 Evarts
 2012/0114424 A1 5/2012 White
 2014/0231115 A1 * 8/2014 Heichel E02D 7/125
 173/135
 2017/0167104 A1 6/2017 Cress

FOREIGN PATENT DOCUMENTS

CN 107558472 A 1/2018
 DE 4010357 10/1990

(56)

References Cited

FOREIGN PATENT DOCUMENTS

DE	4414190	C1 *	7/1995	E02D 7/10
DE	102006053482		6/2008		
EP	0172960		5/1986		
EP	362158		4/1990		
EP	526743		10/1993		
FR	838717		3/1939		
FR	2560247		8/1985		
GB	1066727		4/1967		
GB	2003769		3/1979		
GB	2023496		1/1980		
GB	2028902		3/1980		
GB	2043755		10/1980		
GB	2060742		5/1981		
JP	5494703		7/1979		
JP	355098526		7/1980		
JP	356034828		4/1981		
JP	57169130		10/1982		
JP	59228529	A	12/1984		
JP	61221416		10/1986		
JP	0258627		2/1990		
JP	497015	A	3/1992		
JP	473035		6/1992		
JP	5246681		9/1993		
JP	6136751		5/1994		
JP	9328983	A	12/1997		
KR	1020010044658	A	5/2001		
KR	1020030017742	A	4/2003		
NL	42349		1/1938		
NL	65252		2/1950		
NL	7710385		3/1978		
NL	7707303		1/1979		
NL	7805153		11/1979		
NO	46428		4/1929		
SU	1027357		7/1983		
WO	8707673		12/1987		
WO	8805843		8/1988		

OTHER PUBLICATIONS

American Piledriving Equipment, Inc., A series of photographs identified by Reference Nos. APE01147-APE01159, undated, 13 pages.
 APE, "APE Model 8 Hydraulic Impact Hammer," 2000, 1 page.
 CCPIT Patent and Trademark Law Office, Office Action and Search Report, Application No. 201210346475.7, dated Apr. 27, 2015, 15 pages.
 International Construction Equipment, Inc., "Diesel Pile Hammers" brochure, Ref. No. DH4-1288-5C, undated, 6 pages.
 International Construction Equipment, Inc., "Hydraulic Vibratory Driver/Extractors for Piling and Caisson Work," Ref. No. V7-0890-51, undated, 3 pages.
 International Construction Equipment, Inc., "Hydraulic Vibratory Driver/Extractors for Piling and Caisson Work," undated, 10 pages.
 International Searching Authority, "International Search Report", dated Jan. 28, 2011, 11 pages.
 Japan Development Consultants, Inc., "Castle Board Drain Method" Japanese language brochure, Ref. Nos. APE00857-APE00863, Aug. 1976, 6 pages.
 Korean language documents identified by Ref. Nos. APE00864-APE00891, dates from 1982-1997, 28 pages.
 MKT Corporation, "Operating, Maintenance and Parts Manual for MS350 and MS500 Single-Acting Pile Hammers," 12 pages.
 MKT Geotechnical Systems, Manual No. 01807: "Operating, Maintenance and Parts manual for MS350 and MS500 Single-Acting Pile Hammers," undated, 12 pages.
 Report identifying systems for driving mandrels carrying wick drain material into the earth, Ref. Nos. APE0510-APE0536, undated, 27 pages.
 Schematic drawings, Ref Nos. APE01038, APE01039, APE0339, undated, 2 pages.
 Shanghai Jintai SEMW, undated, 8 pages.
 www.mmsonline.com/columns/micro-keying-keeps-a-better-grip.aspx, Seibert, Stan, Modern Machine Shop: "Micro-Keying Keeps a Better Grip," Aug. 1, 1992, 2 pages.

* cited by examiner

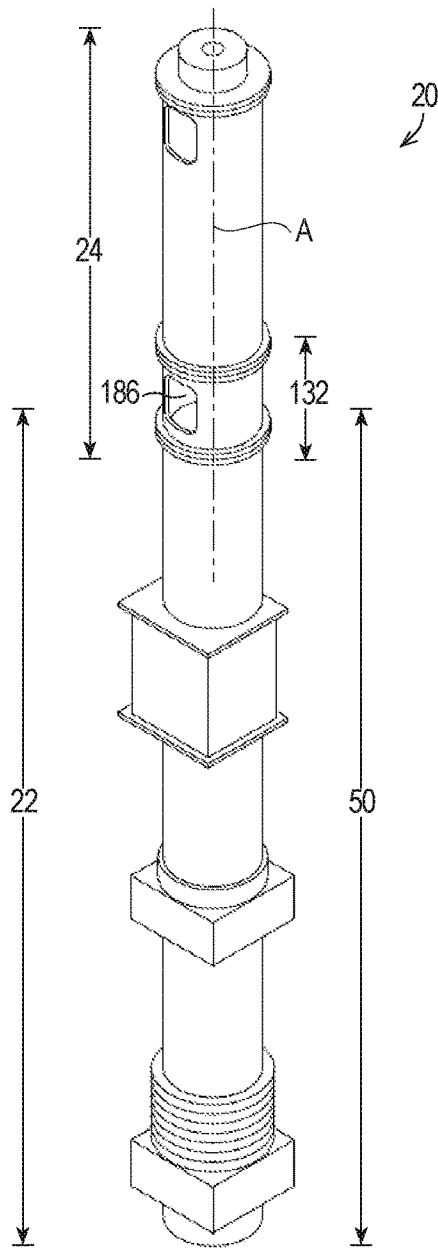


FIG. 1

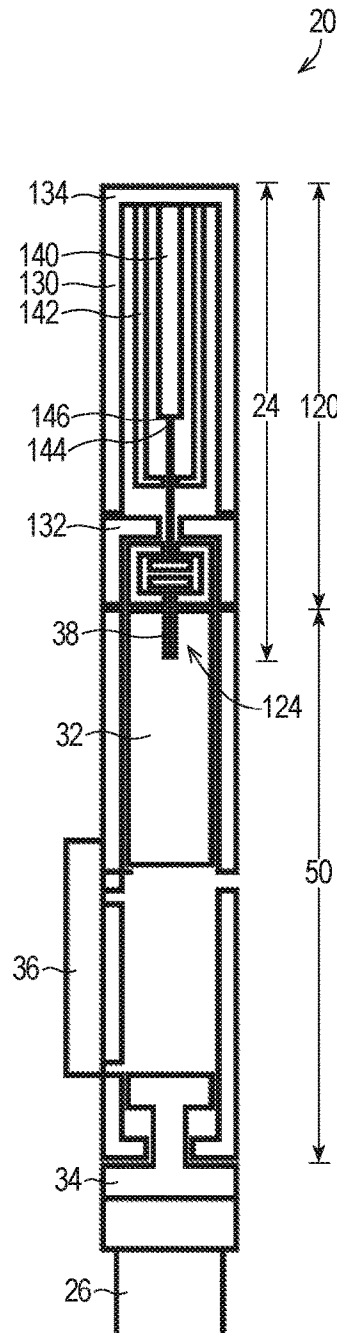


FIG. 1A

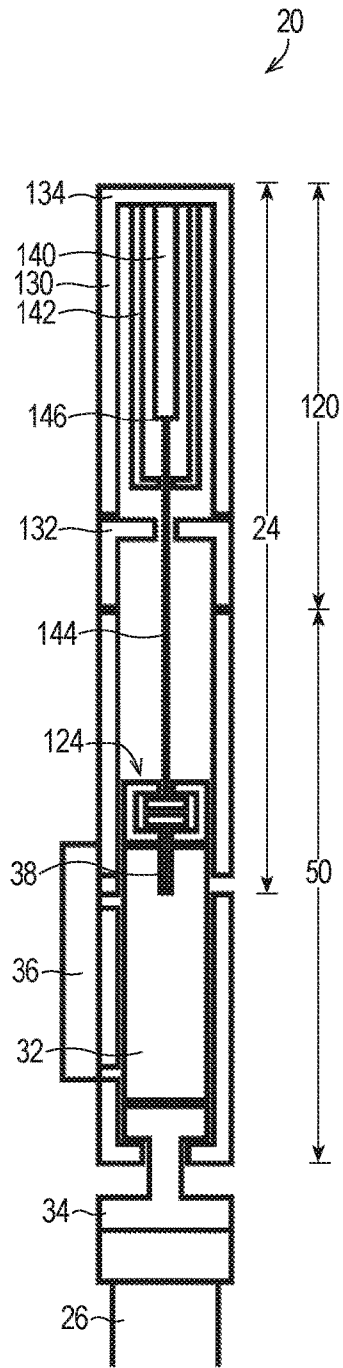


FIG. 1B

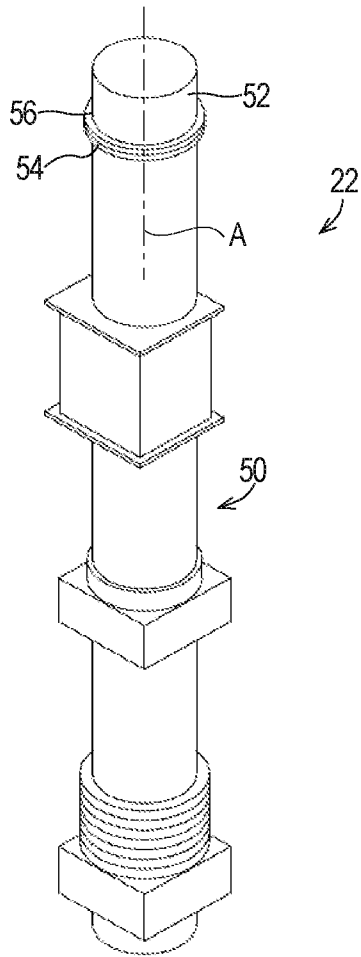


FIG. 2
(PRIOR ART)

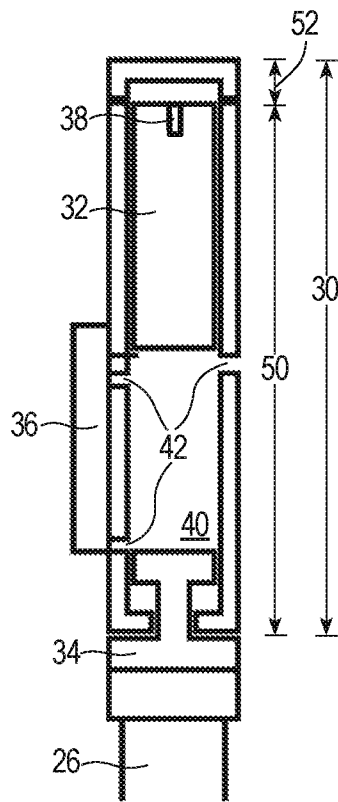


FIG. 2A
(PRIOR ART)

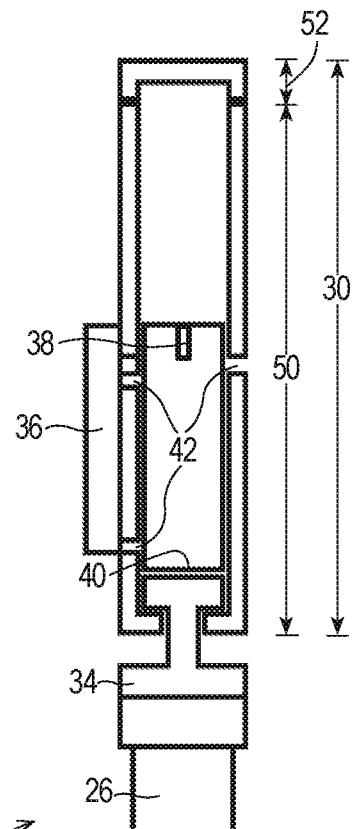


FIG. 2B
(PRIOR ART)

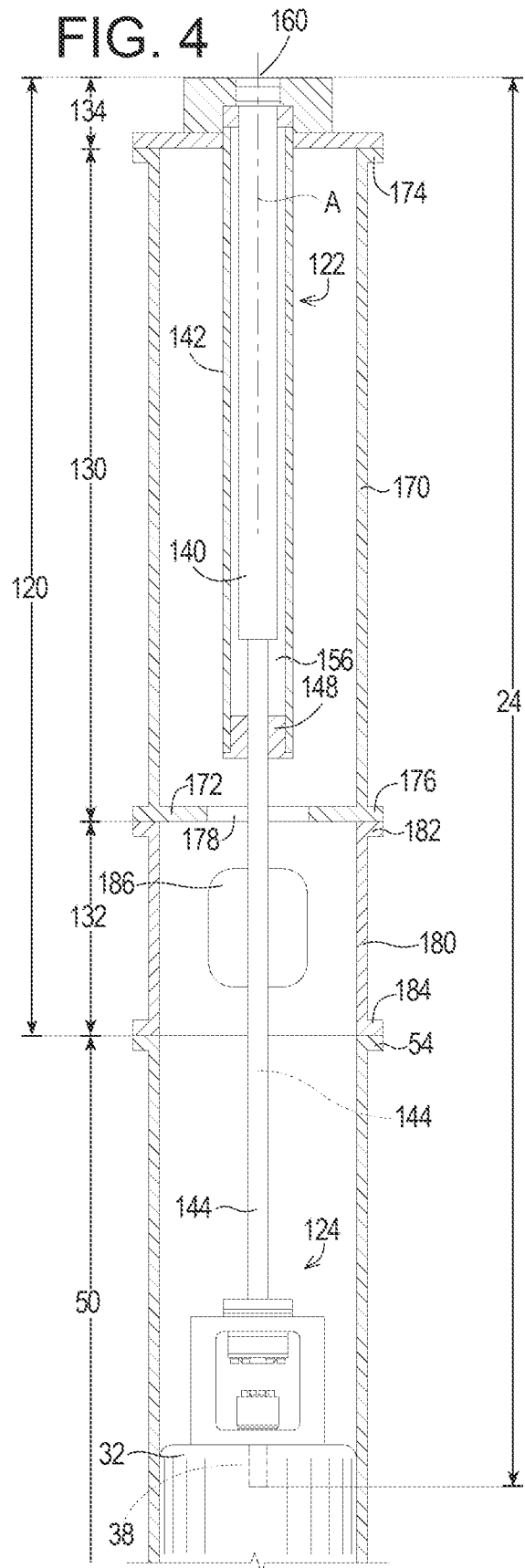
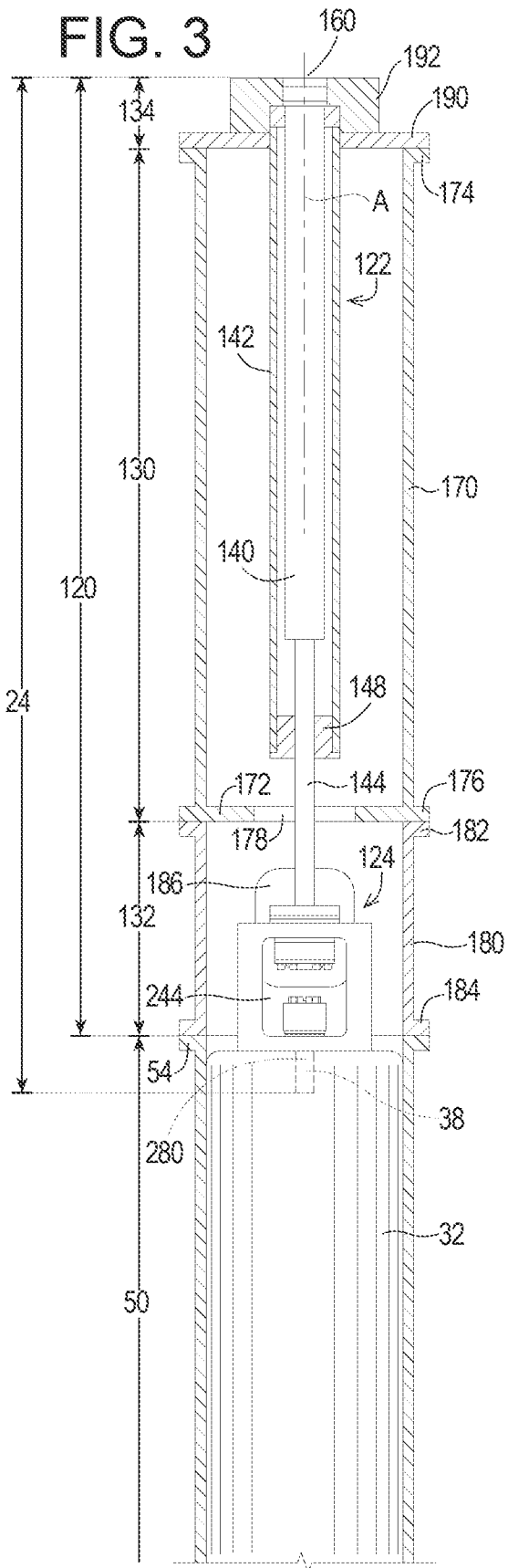


FIG. 5

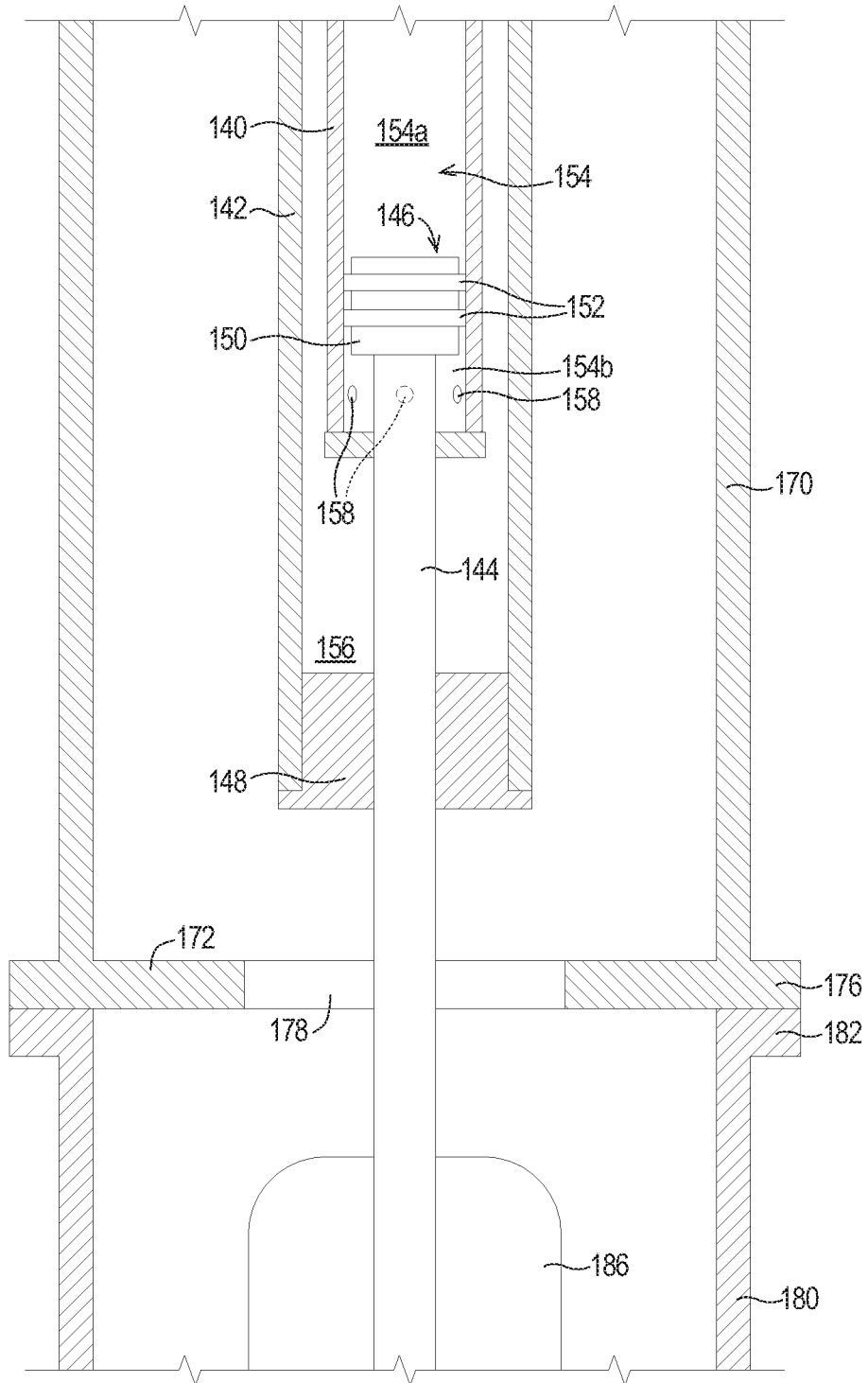


FIG. 6

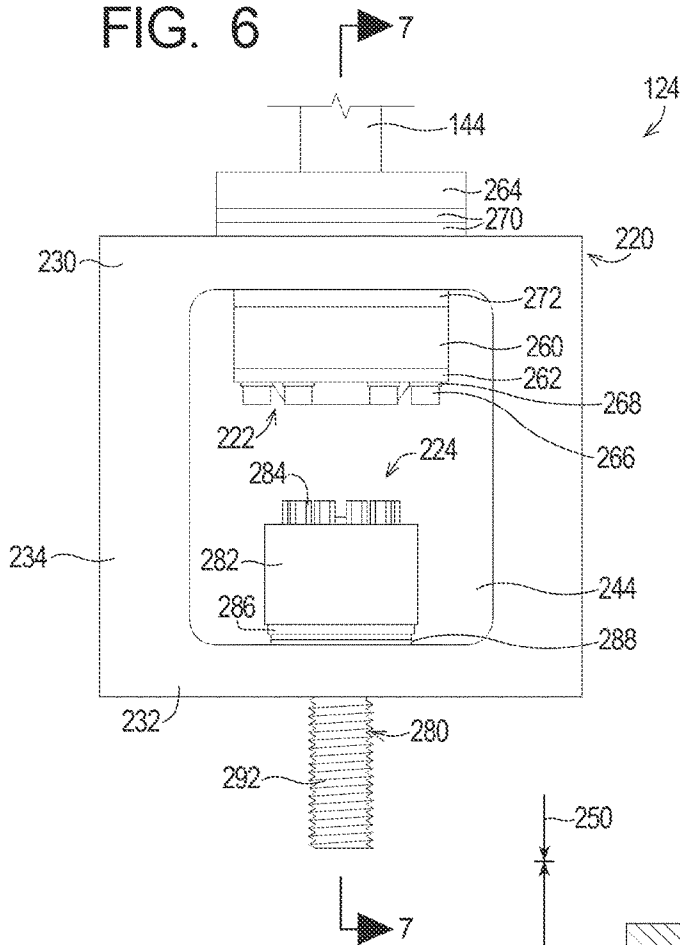
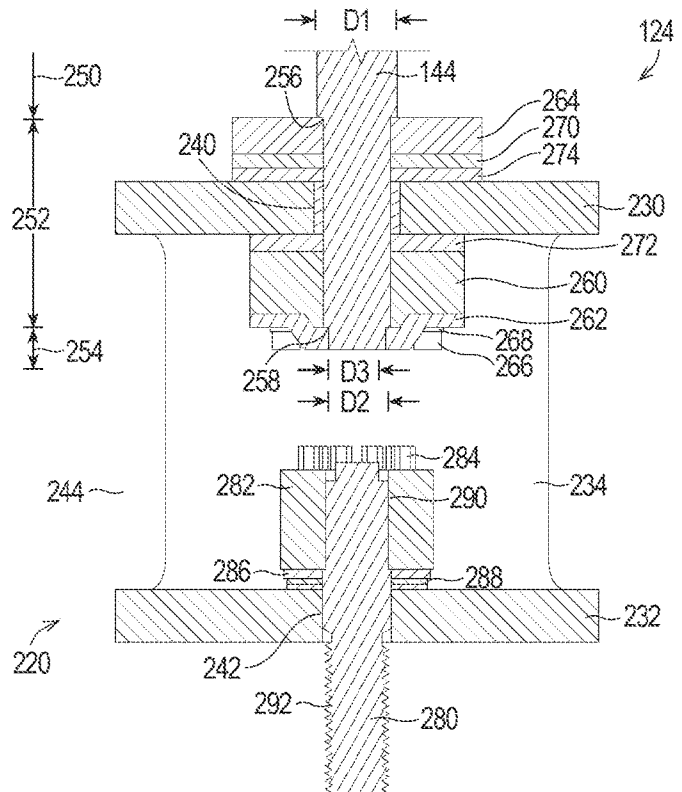


FIG. 7



HYDRAULIC IMPACT HAMMER SYSTEMS AND METHODS

TECHNICAL FIELD

The present invention relates to systems and methods for striking objects, such as piles, and, in particular, to systems and methods for allowing a diesel hammer to be used as a hydraulic impact hammer.

BACKGROUND

In construction, objects such as piles are often inserted into the earth. Such insertion may be by placement of a pile into an excavated hole, but it is typically quicker and more efficient to simply insert the pile into the earth without prior excavation. Such insertion may be by auguring the pile into the earth, crowding (forcing) the pile into the earth with constant pressure, applying a vibrational driving force to the pile, by striking the pile with repeated blows on an upper end of the pile, commonly referred to as hammering, or by combinations of those methods.

Another common construction task is to test the load bearing capacity of a pile that has been driven into the earth. In a particular, information obtained by striking a driven pile with a controlled striking force can be used to test and/or confirm the load bearing capacity of the driven pile.

The present invention relates to systems and methods for striking a pile for the purpose of driving the pile into the earth and/or testing a load capacity of a pile that has been driven into the earth. In the following discussion, the term "strike" will be used to refer to the act of impacting or applying a force to a pile for the purpose of driving the pile and/or for the purpose of testing the load bearing capacity of a driven pile.

Pile hammer systems typically employ a heavy ram member that is raised and allowed to fall such that the ram member repeatedly applies a short duration striking force directly or indirectly to the pile. A number of mechanisms are used to raise the ram member.

One type of pile hammer is commonly referred to as a diesel hammer. A diesel hammer injects diesel fuel below the falling ram such that the falling ram compresses and then ignites the diesel fuel as the ram applies the driving force to the pile. After the driving force has been applied to the pile, the ignited diesel fuel expands and forces the ram up to repeat the cycle.

Another type of pile hammer is commonly referred to as a hydraulic impact hammer. A hydraulic impact hammer uses a hydraulic actuator to raise the ram and force the ram down against the pile.

One type of pile hammer may be preferred over another depending on factors as the specifications of the pile to be struck, the purpose for applying the striking force to the pile (e.g., driving or load testing), and soil conditions. Often, it is desirable to change from one type of pile hammer to another type of pile hammer, sometimes for the same pile at the same location. For example, it may be desirable to use a diesel hammer to a certain soil depth and a hydraulic impact hammer beyond that depth, or vice versa. As another example, it may be desirable to use a diesel hammer to drive the pile to a predetermined depth and a hydraulic impact hammer to test the load bearing capacity of the pile at the predetermined depth.

The need exists for systems and methods that facilitate the change from one type of pile hammering to another type of pile hammering.

SUMMARY

The present invention may be embodied as a hydraulic impact hammer for striking a pile comprising a main housing, a ram supported for movement within the main housing, a coupler rod detachably attached to the ram, a conversion housing detachably attached to the main housing, a hydraulic actuator supported by the conversion housing, the hydraulic actuator defining an actuator rod, a lifting head, a lift connector, and a ram connector. The lift connector is detachably attaches the actuator rod to the lifting head. The ram connector detachably attaches the coupler rod to the lifting head. Operation of the hydraulic actuator raises and lowers the ram to strike the pile.

The present invention may also be embodied as a pile striking system for striking at least one pile. The pile striking system comprises a main housing, a valve assembly supported by the main housing, an anvil supported by the main housing, a ram supported for movement within the main housing, a cap detachably attachable to the main housing, a coupler rod detachably attachable to the ram, a conversion housing detachably attachable to the main housing, a hydraulic actuator supported by the conversion housing, the hydraulic actuator defining an actuator rod, a lifting head, a lift connector, and a ram connector. The lift connector detachably attaches the actuator rod to the lifting head. The ram connector detachably attaches the coupler rod to the lifting head. The cap is attached to the main housing and the valve assembly is configured to operate in a diesel mode such that the pile striking system to operate as a diesel hammer to cause the ram to impact the anvil to strike at least one pile. The conversion housing is attached to the main housing, the coupler rod is attached to the ram and to the ram and to the lifting head by the ram connector, the actuator rod is detachably attached to the lifting head by the lift connector, the valve assembly is configured to operate in a hydraulic mode, and operation of the hydraulic actuator raises and lowers the ram such that the pile striking system operates as a hydraulic impact hammer to cause the ram to impact the anvil to strike at least one pile.

The present invention may also be embodied as a method of striking a pile comprising the following steps. A ram is supported for movement within a main housing. A coupler rod is detachably attached to the ram. A conversion housing is detachably attached to the main housing. A hydraulic actuator defining an actuator rod is supported from the conversion housing. The actuator rod is detachably attached to a lifting head. The coupler rod is detachably attached to the lifting head. The hydraulic actuator is operated to raise and lower the ram to strike the pile.

The present invention may also be embodied as a method of striking at least one pile comprising the following steps. A valve assembly is supported from a main housing. A ram is supported for movement within the main housing. A hydraulic actuator defining an actuator rod is provided. The pile striking system is operated as a diesel hammer by attaching a cap to the main housing and configuring a valve assembly to operate in a diesel mode to cause the ram to impact an anvil to strike at least one pile. The pile striking system is operated as a hydraulic impact hammer by attaching a conversion housing to the main housing, attaching a coupler rod to the ram, attaching the coupler rod to a lifting head, attaching the actuator rod to the lifting head, config-

uring the valve assembly to operate in a hydraulic mode, and operating the hydraulic actuator to raise and lower the ram to cause the ram to impact the anvil and strike at least one pile.

BRIEF DESCRIPTION OF THE DRAWINGS

FIG. 1 is a perspective view of a first example hydraulic impact hammer of the present invention;

FIGS. 1A and 1B are highly schematic elevation section views of the first example hydraulic impact hammer illustrating a ram in upper and impact positions, respectively;

FIG. 2 is a perspective view of a conventional diesel hammer a portion of which forms a part of the first example hydraulic impact hammer of FIG. 1;

FIGS. 2A and 2B are highly schematic elevation section views of the example diesel hammer illustrating the ram in upper and impact positions, respectively;

FIG. 3 is a front elevation partial section view of the first example hydraulic impact hammer illustrating the ram in the upper position;

FIG. 4 is a front elevation partial section view of the first example hydraulic impact hammer illustrating the ram in the impact position;

FIG. 5 is a front elevation partial section view illustrating details of an example hydraulic actuator of the first example hydraulic impact hammer;

FIG. 6 is a front elevation view illustrating an example coupler assembly of the first example hydraulic impact hammer; and

FIG. 7 is a front elevation section view illustrating the example coupler assembly of the first example hydraulic impact hammer.

DETAILED DESCRIPTION

Referring initially to FIGS. 1, 1B, 2, and 2B of the drawing, depicted in FIGS. 1 and 1B is a hydraulic impact hammer 20 constructed in accordance with, and embodying, the principles of the present invention. FIGS. 2 and 2B illustrate a conventional diesel hammer 22 capable of operating in a diesel hammer mode. The first example hydraulic impact hammer 20 comprises a conversion assembly 24 configured to allow certain elements of the diesel hammer 22 to be operated in a hydraulic impact hammer mode. FIGS. 1A, 1B, 2A, and 2B illustrate that either one or both of the hydraulic impact hammer 20 and the diesel hammer 22 may be used to strike a pile 26 along a strike axis A.

The example diesel hammer 22 is or may be conventional and will be described herein only to that extent helpful to a complete understanding of the present invention. As perhaps best shown in FIGS. 2A and 2B, the example diesel hammer 22 comprises a diesel housing 30, a ram 32, an anvil 34, a valve assembly 36. A threaded bore 38 is formed in an upper end of the ram 32. A diesel chamber 40 is formed by the diesel housing 30 and the ram 32. Ports 42 are formed in the diesel housing 30.

The ram 32 is configured to move between upper and impact positions within the diesel housing 30 as shown by a comparison of FIGS. 2A and 2B. As shown in FIG. 2B, in its impact position the ram 32 indirectly engages the pile 26 through the anvil 34 in a conventional manner to apply a striking force to the pile 26.

When the example valve assembly 36 is configured in a diesel hammer mode, the ram 32 moves through a diesel impact cycle. At an initial point in the diesel impact cycle, the ram 32 is in the upper position as shown in FIG. 2A. As

the ram 32 falls from the upper position towards the impact position, the valve assembly 36 is operated in a conventional manner to open and/or close one or more of the ports 42 and to seal the diesel chamber 40 while injecting diesel fuel into the diesel chamber 40. The falling ram 32 compresses and ignites diesel fuel within the sealed diesel chamber 40. When the ram 32 engages the anvil 34, a striking force is applied to the pile 26 to strike the pile 26 downward as shown by a comparison of FIGS. 2A and 2B. The ignited diesel fuel then expands and forces the ram 32 from the impact position back into the upper position, completing the diesel impact cycle.

The example valve assembly 36 of the example diesel hammer 22 may further be configured to operate a hydraulic mode. As will be described in further detail below, in the hydraulic mode the ram 32 is allowed to move between the upper and lower positions without injection of diesel fuel and with minor controlled compression of fluids (e.g., air) within the diesel chamber 40 for the purpose of pre-compression as described, for example, in U.S. Pat. Nos. 7,694,747, 8,181,713, and 8,496,072. In particular, in the hydraulic mode the valve assembly 36 is configured to allow air within the diesel chamber 40 to flow out such that movement of the ram 32 from the upper position to the lower position is impeded only by resistance of compressed air sufficient to establish pre-compression of the anvil 34 against the pile 26 immediately prior to the striking of the anvil 34 by the ram 32. As described in the U.S. Pat. Nos. 7,694,747, 8,181,713, and 8,496,072 patents, this pre-compression inhibits transmission of potentially damaging shocks into the pile 26. However, the example hydraulic impact hammer 20 may be operated such that the ram 32 strikes the anvil 34 without pre-compression when operated in the hydraulic mode.

FIGS. 2, 2A, and 2B further illustrate that the example diesel housing 30 comprises a main housing 50 and a cap 52. The cap 52 is detachably attached to the main housing 50 to selectively allow and prevent access to the interior of the diesel housing 30. In the example diesel hammer 22, the main housing 50 defines a main flange 54, and the cap 52 defines a cap flange 56. Bolts, threads, or the like (not shown) are used to connect the cap flange 56 to the main flange 54 to detachably attach the cap 52 to the main housing 50.

Given the foregoing understanding of the construction and operation of the example diesel hammer 22, the construction and operation of the first example hydraulic impact hammer 20 will now be generally described with reference to FIGS. 1, 1A, and 1B.

Initially, the diesel hammer 22 is reconfigured to allow the diesel hammer to be combined with the conversion assembly 24 to form the first example hydraulic impact hammer 20. The diesel hammer 22 is reconfigured by removing the cap 52 of the diesel housing 30. As will be described below, all components of the diesel hammer 22 except for the cap 52 are combined with the conversion assembly 24 to form the first example hydraulic impact hammer 20.

The example conversion assembly 24 comprises a conversion housing 120, a hydraulic actuator 122, and a coupler assembly 124. The conversion housing 120 supports the hydraulic actuator 122 in a desired position relative to the ram 32 when at least a portion of the diesel hammer 22 is combined with the conversion assembly 24. With the hydraulic actuator 122 in a desired position relative to the ram 32, the example coupler assembly 124 detachably attaches the hydraulic actuator 122 to the ram 32 to complete assembly of the hydraulic impact hammer 20.

The example conversion housing 120 comprises an upper portion 130, a transition portion 132, and a top plate 134. The transition portion 132 is adapted to be detachably attached to the main housing 50 of the diesel housing 30 of the diesel hammer 22. The upper portion 130 is adapted to be attached to the transition portion 132. The top plate 134 is adapted to be attached to the upper portion 130.

As perhaps best shown in FIGS. 3-5, the example hydraulic actuator 122 comprises an inner cylinder 140, an outer cylinder 142, an actuator rod 144, a piston 146, and a seal 148. The example piston 146 comprises a piston head 150 secured to one end of the actuator rod 144 and one or more piston rings 152 supported between the piston head 150 and the inner cylinder 140. The inner cylinder 140 and outer cylinder 142 are supported by the top plate 134 such that the inner cylinder 140 is coaxially arranged within the outer cylinder 142. The top plate 134 is attached to the upper portion 130 of the conversion housing 120, and the conversion housing 120 is attached to the main housing 50 of the diesel housing 30. In this configuration, the inner cylinder 140, the outer cylinder 142, and the actuator rod 144 are coaxially arranged within the upper portion 130 of the conversion housing 120 along the strike axis A.

The seal 148 is configured between the inner and outer cylinders 140 and 142 to define an inner chamber 154 and an outer chamber 156. The piston 146 is arranged within the inner chamber 154 to define a first inner chamber portion 154a and a second inner chamber portion 154b. One or more cylinder ports 158 (FIG. 5) are formed in the outer cylinder 142 to allow fluid communication between the second inner chamber portion 154b and the outer chamber 156. The piston rings 152 substantially prevent fluid flow between the first and second inner chamber portions 154a and 154b.

One or more actuator ports 160 (FIGS. 3 and 4) are formed in the top plate 134 to allow hydraulic fluid to be forced into and out of the first inner chamber portion 154a and the outer cylinder chamber 156 to cause the piston 146 to move the actuator rod 144 between a first position (FIGS. 2A and 3) and a second position (FIGS. 2B and 4). In particular, forcing hydraulic fluid into the outer chamber 156, through the actuator ports 160, and into the second inner chamber portion 154b causes the piston 146 to move the actuator rod 144 from the second position to the first position. Allowing fluid to flow out of the outer chamber portion 156 allows gravity to cause the piston 146 and actuator rod 144 to move from the first position to the second position. The use of hydraulic fluid to operate the hydraulic actuator 122 as described herein is conventional and will not be described beyond that extent helpful for a complete understanding of the invention.

As best shown in FIGS. 3 and 4, the example upper portion 130 of the conversion housing 120 comprises a first wall 170, a lower wall 172, a first wall upper flange 174, and a first wall lower flange 176. A rod opening 178 is formed in the lower wall 172. The example transition portion 132 of the conversion housing 120 comprises a second wall 180, a second wall upper flange 182, a second wall lower flange 184, and at least one outer opening 186. As shown in FIGS. 3 and 4, the example top plate 134 comprises a main plate portion 190 and a port block portion 192. The actuator ports 160 are formed in the port block portion.

To assemble the first example hydraulic impact hammer 20, the transition portion 132 thereof is detachably attached to the main housing 50 of the diesel housing 30, the upper portion of the conversion housing 120 is attached to the transition portion 132 thereof, and the top plate 134 is detachably attached to the upper portion 130 to complete

assembly of the conversion housing 120. In the example conversion housing 120, the second lower flange 184 of the transition portion 132 is detachably attached to the main flange 54 of the main portion of the diesel housing 30 by bolts, threads, or the like, the second upper flange 182 is detachably attached to the first lower flange 176 by bolts, threads, or the like, and the top plate 134 is detachably attached to the first upper flange 174 by bolts, threads, or the like.

Bolts (not shown) are typically used to assemble the conversion housing 120 and to detachably attach the conversion housing 120 to the main housing 50 of the diesel housing 30. In this case, a plurality of bolts are arranged to extend at least partly through holes (not shown) in the flanges 54, 184, 182, 176, and 174 and main plate portion 190 at evenly spaced locations about the perimeter of these components. The bolts may be threaded into such holes or may pass through the holes and secured by nuts. The bolts should be of sufficient size and number to securely and rigidly hold the various components 50, 130, 132, and 134 together during normal use of the first example hydraulic impact hammer 20. Permanent connections such as welds may be used to attach two or more of the components 130, 132, and 134 if convenient. But the attachment of the transition portion 132 of the conversion housing 120 to the main housing 50 of the diesel housing 30 should be by non-permanent connection such as bolts, threading, clamps, or the like to allow the transition portion 132 to be detachably attached to the main portion 50.

Turning now to FIGS. 3, 4, 6, and 7 of the drawing, the construction and operation of the example coupler assembly 124 will be described in further detail. As best shown in FIGS. 6 and 7, the example coupler assembly 124 comprises a lifting head 220, a lift connector 222, and a ram connector 224. The example lifting head 220 defines a top wall 230, a bottom wall 232, and one or more side walls 234. An actuator rod opening 240 is formed in the top wall 230, and a ram rod opening 242 is formed in the bottom wall 232. One or more inner access openings 244 are formed in the side wall 234.

The example actuator rod 144 is configured to be detachably attached to the second example coupler assembly 124. In particular, the example actuator rod 144 defines a main portion 250 having a diameter D1, an intermediate portion 252 having a diameter D2, and a distal end portion 254 having a diameter D3. The diameter D1 is greater than the diameter D2, and the diameter D2 is greater than the diameter D3. The example intermediate portion 252 is threaded. A first shoulder surface 256 is formed at the juncture of the main portion 250 and the intermediate portion 252 of the actuator rod 144. A second shoulder surface 258 is formed at the juncture of the intermediate portion 252 and the distal end portion 254 of the actuator rod 144.

In the example coupler assembly 124, the example lift connector 222 comprises a rod nut 260, a rod jam nut 262, a rod end washer 264, one or more socket cap screws 266, and one or more lock washers 268. One or more impact cushions 270 are arranged between the rod end washer 264 and an upper surface of the top wall 230, and a lifting cushion 272 is arranged between the rod nut 260 and a lower surface of the top wall 230. A bushing 274 is arranged around the intermediate portion 252 of the actuator rod 144 within the actuator rod opening 240 in the upper wall 230.

The example ram connector 224 comprises a coupler rod 280, a torque nut 282, a plurality of torque nut studs 284, a torque nut washer 286, and a disc spring 288. The example

coupler rod **280** defines a first threaded end **290** and a second threaded end **292**. The example ram connector **224** is formed by what is commonly referred to as a Superbolt torque nut assembly, but any connector assembly capable of functioning in a manner similar to that of the example Superbolt torque nut assembly may be used.

To assemble the hydraulic impact hammer **20**, the cap **52** of the diesel housing **30** is removed from the main housing **50** thereof to expose the top of the ram **32**. The second threaded end **292** of the coupler rod **280** is threaded into the threaded bore **38** of the ram **32** to secure the coupler rod **280** to the ram **32**.

The conversion assembly **24** is then assembled as follows. The actuator rod **144** is initially inserted through the rod end washer **264**, through the impact cushion(s) **270**, through the bushing **274**, and through the actuator rod opening **240** in the lifting head **220** such that the first shoulder surface **256** is in contact with the rod end washer **264**, the impact cushions **270** are in contact with the upper surface of the lifting head top wall **230**, and the intermediate actuator rod portion **252** and bushing **274** are within the ram rod opening **242**. The lifting cushion **272** is then arranged over the intermediate portion **252** of the actuator rod **144**. The rod nut **260** is then threaded onto the actuator rod intermediate portion **252** such that the lifting cushion **272** is held against the lower surface of the lifting head top wall **230**. The rod end jam nut **262** is next arranged over the distal end portion **254** of the actuator rod **144**, and the socket cap screws **266** are extended through the lock washers **268** and the rod end jam nut **262** and into the rod nut **260** to secure the rod end jam nut **262** in place. The distal end portion **154** of the actuator rod **144** is thus secured to the lifting head **220**. The transition portion **132** of the conversion housing **120** is also attached to the upper portion **130** of the conversion housing **120**.

At this point, the conversion assembly **24** is assembled and is attached to the diesel hammer **22** from which the cap **52** has been removed to form the hydraulic impact hammer **20**. In particular, the conversion housing **120** is arranged such that the first threaded end **290** of the coupler rod **280**, which has been secured to the ram **32**, extends through the ram rod opening **242** in the lifting head bottom wall **232**. The disc spring **288** and torque nut washer **286** are then arranged over the first threaded end **290** of the coupler rod **280**. The torque nut **282** is then threaded onto the first threaded end **290** of the coupler rod **280**, and the torque nut washers **286** and studs **284** are used to secure the torque nut **282** to the coupler rod **280**.

The conversion housing **120** is detachably attached to the main housing **50** of the diesel housing **30** using bolts, threads, or the like. In the example hydraulic impact hammer **20**, bolts are passed at least partly through one or both of the main flange **54** defined by the main housing **50** and the second lower flange **184** defined by the conversion housing **30** to detachably attach the conversion housing **120** to the main housing **50**.

The outer and inner access openings **186** and **244** allow the socket cap screws **266** and torque nut studs **284** to be tightened with the conversion housing **120** attached to or otherwise held in place relative to the main housing **50**. The lifting head **220**, the lift connector **222**, and the ram connector **224** allow the actuator rod **144** to be quickly and securely attached to the ram **32** with simple tools available in the field.

Further, the hydraulic impact hammer **20** can be easily and quickly converted back into the diesel hammer **22** simply by reversing the steps described above.

In the forgoing discussion, a particular sequence for combining the conversion assembly **24** with the diesel hammer **22** has been described. The exact sequence described is not essential to a given implementation of the present invention as a method of forming a hydraulic impact hammer, a method of converting a diesel hammer into a hydraulic impact hammer, or a method of converting a hydraulic impact hammer into a diesel hammer.

To use the example hydraulic impact hammer **20**, the valve assembly **36** is configured in the hydraulic mode to allow the ram **32** to move between the upper and lower positions. The hydraulic actuator **122** is then operated raise and lower the ram **32**. In its lowest position, the ram impacts the anvil **34** and thus the pile **26** to strike the pile **26** along the strike axis *A*.

What is claimed is:

1. A hydraulic impact hammer for striking a pile comprising:
 - a main housing;
 - a ram supported for movement within the main housing;
 - a coupler rod detachably attached to the ram;
 - a conversion housing detachably attached to the main housing;
 - a hydraulic actuator supported by the conversion housing, the hydraulic actuator defining an actuator rod;
 - a lifting head defining an upper wall defining an actuator rod opening, a lower wall defining a ram rod opening, and at least one side wall configured to define an at least one access opening;
 - a lift connector; and
 - a ram connector comprises a rod nut configured to secure a distal end of the actuator rod relative to the lifting head; wherein
 - with the actuator rod extending through the actuator rod opening, the lift connector is accessed through the at least one access opening and engaged with the actuator rod to detachably attach the actuator rod to the upper wall of the lifting head;
 - with the coupler rod extending through the ram rod opening, the ram connector is accessed through the at least one access opening and engaged with the coupler rod to detachably attach the ram to the lower wall of the lifting head; and
 - with the actuator rod detachably attached to the upper wall of the lifting head and the ram detachably attached to the lower wall of the lifting head, operation of the hydraulic actuator raises and lowers the ram to strike the pile.
2. The hydraulic impact hammer as recited in claim 1, further comprising an anvil supported by the main housing, where the ram engages the anvil to strike the pile.
3. The hydraulic impact hammer as recited in claim 1, further comprising a valve assembly supported by the main housing, where the valve assembly is arranged in a hydraulic mode when the hydraulic actuator raises and lowers the ram.
4. The hydraulic impact hammer as recited in claim 1, in which the ram connector comprises a torque nut configured to secure a first threaded portion of the coupler rod to the lifting head.
5. The hydraulic impact hammer as recited in claim 1, in which a second threaded portion of the coupler rod is threaded into a threaded bore in the ram to detachably attach the coupler rod to the ram.
6. The hydraulic impact hammer as recited in claim 1, in which:

9

the lift connector comprises a rod nut configured to secure a distal end of the actuator rod relative to the lifting head;

the ram connector comprises a torque nut configured to secure a first threaded portion of the coupler rod to the lifting head; and

a second threaded portion of the coupler rod is threaded into a threaded bore in the ram to detachably attach the coupler rod to the ram.

7. A pile striking system for striking at least one pile comprising:

a main housing;

a valve assembly supported by the main housing;

an anvil supported by the main housing;

a ram supported for movement within the main housing;

a cap detachably attachable to the main housing;

a coupler rod detachably attachable to the ram;

a conversion housing detachably attachable to the main housing;

a hydraulic actuator supported by the conversion housing, the hydraulic actuator defining an actuator rod;

a lifting head defining an upper wall defining an actuator rod opening, a lower wall defining a ram rod opening, and at least one side wall configured to define an at least one access opening;

a lift connector; and

a ram connector wherein

with the actuator rod extending through the actuator rod opening, the lift connector is accessed through the at least one access opening and between the upper and lower walls and is engaged with the actuator rod to detachably attach the actuator rod to the upper wall of the lifting head;

with the coupler rod extending through the ram rod opening, the ram connector is accessed through the at least one access opening and between the upper and lower walls and is engaged with the coupler rod to detachably attach the ram to the lower wall of the lifting head;

with the cap is attached to the main housing and the valve assembly is configured to operate in a diesel mode, the pile striking system operates as a diesel hammer to cause the ram to impact the anvil to strike the at least one pile; and

with the conversion housing attached to the main housing, the coupler rod attached to the ram and to the lower wall of the lifting head by the ram connector, and the actuator rod detachably attached to the upper wall of the lifting head by the lift connector, the valve assembly is configured to operate in a hydraulic mode, and operation of the hydraulic actuator raises and lowers the ram such that the pile striking system operates as a hydraulic impact hammer to cause the ram to impact the anvil to strike the at least one pile.

8. The pile striking system as recited in claim 7, in which the lift connector comprises a rod nut configured to secure a distal end of the actuator rod relative to the lifting head.

9. The pile striking system as recited in claim 7, in which the ram connector comprises a torque nut configured to secure a first threaded portion of the coupler rod to the lifting head.

10. The pile striking system as recited in claim 7, in which a second threaded portion of the coupler rod is threaded into a threaded bore in the ram to detachably attach the coupler rod to the ram.

11. The pile striking system as recited in claim 7, in which:

10

the lift connector comprises a rod nut configured to secure a distal end of the actuator rod relative to the lifting head;

the ram connector comprises a torque nut configured to secure a first threaded portion of the coupler rod to the lifting head; and

a second threaded portion of the coupler rod is threaded into a threaded bore in the ram to detachably attach the coupler rod to the ram.

12. A method of striking a pile comprising the steps of: supporting a ram for movement within a main housing; detachably attaching a coupler rod to the ram; detachably attaching a conversion housing to the main housing;

supporting a hydraulic actuator defining an actuator rod from the conversion housing;

providing a lifting head defining an upper wall defining an actuator rod opening, a lower wall defining a ram rod opening, and at least one side wall configured to define an at least one access opening;

detachably attaching the actuator rod to the upper wall of the lifting head by extending the actuator rod through the actuator rod opening, and accessing a lift connector through the at least one access opening and between the upper and lower walls to engage the lift connector with the actuator rod to detachably attach the actuator rod to the upper wall of the lifting head comprising the step of securing a distal end of the actuator rod relative to the lifting head using a rod nut; and

detachably attaching the coupler rod to the lower wall of the lifting head by extending the coupler rod through the ram rod opening, and accessing the ram connector through the at least one access opening and between the upper and lower walls to engage the ram connector with the coupler rod to detachably attach the ram to the lower wall of the lifting head; and

with the actuator rod detachably attached to the upper wall of the lifting head and the ram detachably attached to the lower wall of the lifting head, operating the hydraulic actuator to raise and lower the ram to strike the pile.

13. The method as recited in claim 12, further comprising the step of arranging the ram to engage an anvil to strike the pile.

14. The method as recited in claim 12, further comprising the step of arranging a valve assembly in a hydraulic mode when the hydraulic actuator raises and lowers the ram.

15. The method as recited in claim 12, in which the step of detachably attaching the coupler rod to the lifting head comprises the step of securing a first threaded portion of the coupler rod relative to the lifting head using a torque nut.

16. The method as recited in claim 12, in which the step of detachably attaching the coupler rod to the ram comprises the steps of:

forming a threaded bore in the ram; and

threading a second threaded portion of the coupler rod into the threaded bore in the ram.

17. The method as recited in claim 12, in which:

the step of detachably attaching the actuator rod to the lifting head comprises the step of securing a distal end of the actuator rod relative to the lifting head using a rod nut;

the step of detachably attaching the coupler rod to the lifting head comprises the step of securing a first threaded portion of the coupler rod relative to the lifting head using a torque nut; and

11

the step of detachably attaching the coupler rod to the ram comprises the steps of forming a threaded bore in the ram, and threading a second threaded portion of the coupler rod into the threaded bore in the ram.

18. A method of striking at least one pile comprising the steps of:

- supporting a valve assembly from a main housing;
- supporting a ram for movement within the main housing;
- providing a hydraulic actuator defining an actuator rod;
- providing a lifting head defining an upper wall defining an actuator rod opening, a lower wall defining a ram rod opening, and at least one side wall configured to define an at least one access opening;
- operating in a diesel mode by attaching a cap to the main housing and configuring the valve assembly to operate in a diesel mode to cause the ram to impact an anvil to strike the at least one pile; and
- operating in a hydraulic impact mode by attaching a conversion housing to the main housing, attaching a coupler rod to the ram, attaching the coupler rod to the lower wall of the lifting head by

12

- extending the actuator rod through the actuator rod opening,
- accessing the lift connector through the at least one access opening and between the upper and lower walls to engage a lift connector with the actuator rod to detachably attach the actuator rod to the upper wall of the lifting head,
- attaching the actuator rod to the upper wall of the lifting head by
- extending the coupler rod through the ram rod opening, and
- accessing the ram connector through the at least one access opening and between the upper and lower walls to engage the ram connector with the coupler rod to detachably attach the ram to the lower wall of the lifting head,
- configuring the valve assembly to operate in the hydraulic impact mode, and
- operating the hydraulic actuator to raise and lower the ram to cause the ram to impact the anvil and strike the at least one pile.

* * * * *