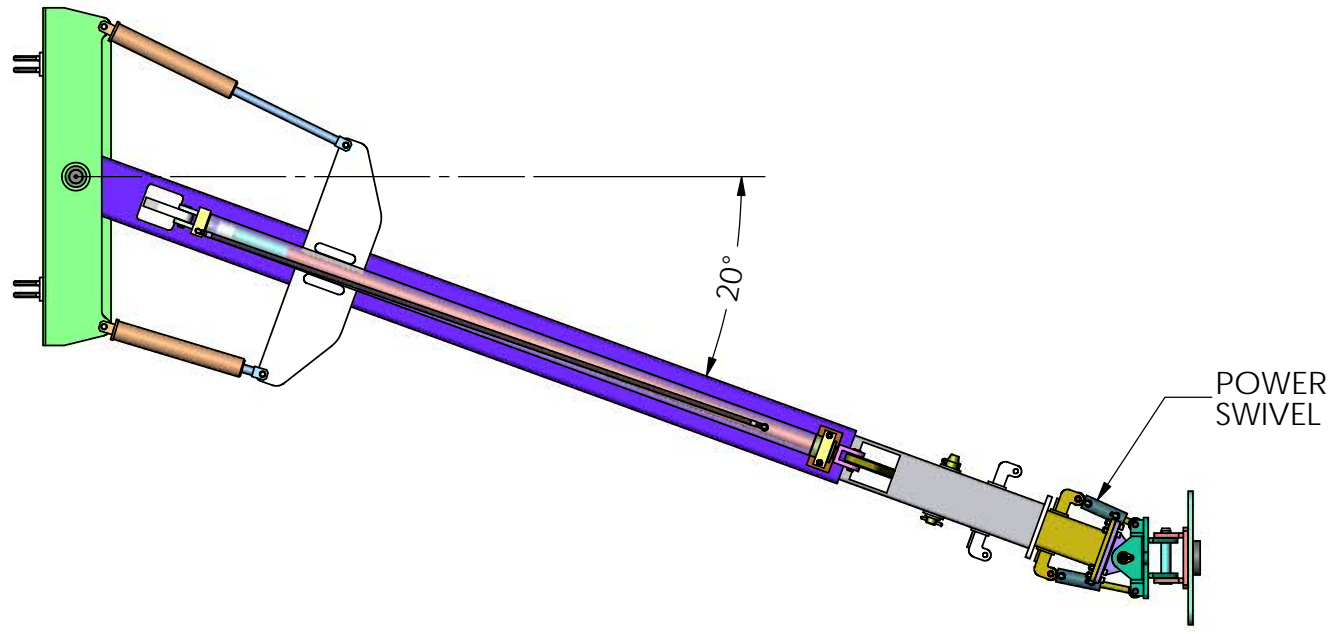
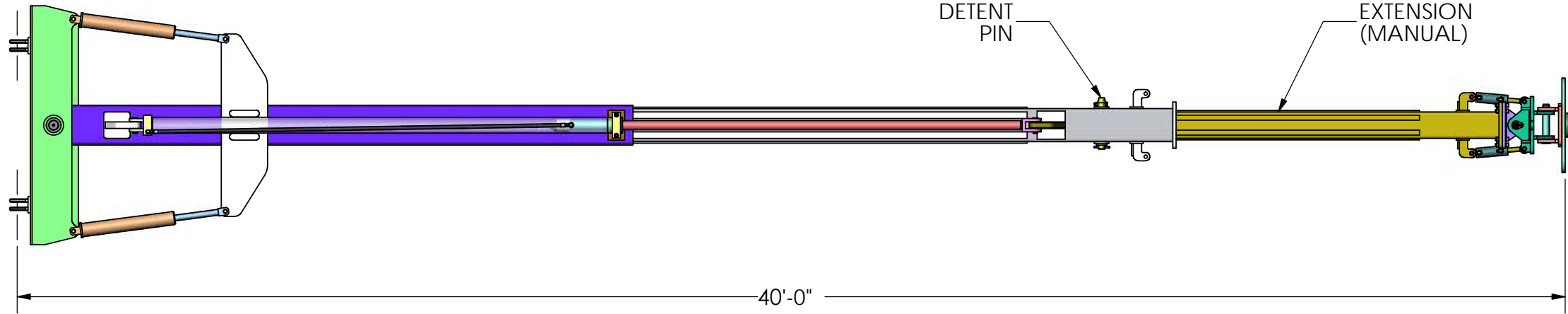


**APE Model 50 Spotter w/ Lead Power Swivel**  
 Retracted Length 22'-0"  
 Extended Length 39'-0"  
 Hydraulic Extension 10'-0"  
 8' Manual Extension 8'-0"  
 Side Shift 20°  
 Power Swivel 20°  
 Cylinder Bore 4"  
 Extend Force 31.4K  
 Retract Force 16.6K  
 Weight 5,599 lb  
 Double CB Valves for Load Holding



0 = STANDARD  
 E = w/ EXTENSION  
 2000851-E-P  
 0 = STANDARD  
 P = w/ POWER SWIVEL

**AMERICAN  
 PILEDRIVING  
 EQUIPMENT**

7032 S. 196TH ST.  
 KENT, WA 98032  
 1-800-248-8498  
 www.apevibro.com

**TOLERANCES  
 EXCEPT AS NOTED**

.X = ± .060  
 .XX = ± .030  
 .XXX = ± .010  
 FRAC = ± 1/16  
 ANGLE = ± .25°

**PROPRIETARY AND CONFIDENTIAL**  
 THE INFORMATION CONTAINED IN THIS DRAWING IS THE SOLE PROPERTY OF AMERICAN PILEDRIVING EQUIPMENT (APE). ANY REPRODUCTION IN PART OR WHOLE WITHOUT THE WRITTEN PERMISSION OF APE IS PROHIBITED. THE APE PRODUCT LINE IS PROTECTED BY VARIOUS PATENTS. FOR A LIST OF PATENTS, PLEASE VISIT OUR WEBSITE www.apevibro.com/ver2/apopatents.asp

DATE									
APPR.									
BY									
REVISION									
SYM									

PRODUCT/PROJECT:  
**APE Model 50 Spotter**

DESCRIPTION:  
**Assembly Configuration E-P**

MATERIAL:

DRAWN BY: DATE: WEIGHT (LB): SIZE:  
 5599 B

PART NO.: REV: SHEET OF  
 2000851 1 1